

KRS822L-51

Kontroll-Nr. --

2019-01-28 V.20 / 1.11.2017

| Pos.no | Item no. | Description | Quant. | UP |
|--------|------------|--|--------|---------------|
| | | Dichtungs-Oring-Satz | 1 | Price on req. |
| 1 | 001-TEG-37 | Cabtyre Cable Set (20m) H07RN-F4Cx10mm ² without stuffing box | 1 | Price on req. |
| 1 | M01-TEG-37 | Cabtyre Cable Set (20m) NSSHÖU 4Cx10mm ² | 1 | Price on req. |
| 2 | 010-128-19 | Cable Clip Rubber 75x80x2t NBR | 1 | Price on req. |
| 3 | 010-101-16 | Cable Clip No.3 SPC | 2 | Price on req. |
| 4 | 140-035-27 | Hex.Bolt M6x20 SUS304 (EN X5CrNi18-10) Stainless Steel | 3 | Price on req. |
| 5 | 141-004-17 | Hex.Nut M6 SUS304 | 3 | Price on req. |
| 6 | 011-101-19 | Shackle 6mm SS | 2 | Price on req. |
| 7 | 095-132-19 | Chain 4mm SS | 1 | Price on req. |
| 8 | 140-035-14 | Hex.Bolt M6x20 SUS304 | 2 | Price on req. |
| 9 | 070-107-18 | Cable Clamp FC | 1 | Price on req. |
| 10 | 140-055-23 | Hex.Bolt M8x25 SUS410 | 4 | Price on req. |
| 11 | 006-127-15 | Stuffing Box 380/400/415V-50Hz(EUR,NSU) No.3 FC | 1 | Price on req. |
| 12 | 008-145-15 | Mould Cover KR3-7 CR | 1 | Price on req. |
| 13 | 002-115-18 | Heat Shrink Tube (Sold per meter) EVA(d16.5x1t) (Vm) | 1 | Price on req. |
| 14 | 002-116-19 | Heat Shrink Tube (Sold per meter) A4(d20x0.35t) (Vm) | 1 | Price on req. |
| 15 | 141-004-46 | Hex.Nut M6 BSBM | 4 | Price on req. |
| 16 | 009-107-18 | Terminal R-14-6 CU | 1 | Price on req. |
| 16 | 009-106-17 | Terminal(EUR,NSU) R-8-6 CU | 1 | Price on req. |
| 17 | 009-107-18 | Terminal R-14-6 CU | 3 | Price on req. |
| 18 | 009-107-18 | Terminal R-14-6 CU | 1 | Price on req. |
| 18 | 009-106-17 | Terminal(EUR,NSU) R-8-6 CU | 1 | Price on req. |
| 19 | 140-029-28 | Hex.Bolt M6x10 SWRM | 4 | Price on req. |
| 20 | 140-078-19 | Hex.Bolt M10x30 SUS304 | 4 | Price on req. |
| 21 | 142-164-19 | Spring Washer M10 SUS304 | 4 | Price on req. |
| 22 | 042-106-18 | Stuffing Box Sheet 11KW FC | 1 | Price on req. |
| 23 | 122-135-19 | O-Ring G-120(119.4xd3.1) NBR | 6 | Price on req. |
| 24 | 140-098-15 | Hex.Bolt M12x35 SUS304 | 6 | Price on req. |
| 25 | 032-141-29 | Hose Coupling 200mm(KRS) FC | 1 | Price on req. |
| 26 | 121-144-18 | Packing KRZ8(P.C.236xd190) NBR | 1 | Price on req. |
| 27 | 140-130-10 | Hex.Bolt M16x70 SUS304 (EN X5CrNi18-10) | 4 | Price on req. |
| 28 | 142-166-11 | Spring Washer M16 SUS304 | 4 | Price on req. |
| 29 | 068-000-41 | Handle KRS819/22-51/61 SGP+SS | 1 | Price on req. |
| 29 | 061-000-11 | Bearing Collar d45xd71x3t SPCC | 1 | Price on req. |
| 30 | 143-000-58 | Pan Screw (w/Spring Washer/Plain Washer) M6x12 SWRM | 1 | Price on req. |
| 31 | 009-107-18 | Terminal R-14-6 CU | 1 | Price on req. |
| 31 | 009-106-17 | Terminal(EUR,NSU) R-8-6 CU | 1 | Price on req. |
| 32 | 140-127-14 | Hex.Bolt M16x55 SUS304 (EN X5CrNi18-10) Stainless Steel | 1 | Price on req. |
| 33 | 142-166-11 | Spring Washer M16 SUS304 | 1 | Price on req. |
| 34 | 140-101-12 | Hex.Bolt M12x50 SUS304 (EN X5CrNi18-10) Stainless Steel | 2 | Price on req. |
| 35 | 142-165-10 | Spring Washer M12 SUS304 | 2 | Price on req. |
| 36 | 050-001-08 | Motor Bracket FC | 1 | Price on req. |
| 37 | 122-160-13 | O-Ring (M.Bracket/M.Frame) G-290(289.3xd5.7) NBR | 1 | Price on req. |
| 38 | 121-001-44 | Packing (Water Way, Upp.) KRS819/822-51/61 SBR | 1 | Price on req. |
| 39 | 143-032-10 | Pan Screw M5x16 SWRM | 2 | Price on req. |
| 40 | 142-112-25 | Plain Washer M5 SPC | 2 | Price on req. |
| 41 | 053-401-12 | Motor Protector 380/400/415V-50HZ KA315-JEAL00 (B.C) | 1 | Price on req. |
| 42 | 141-004-59 | Hex.Nut M6 SWRM | 3 | Price on req. |
| 43 | 142-000-30 | Spring Washer M6 SWRM | 3 | Price on req. |
| 44 | 009-107-18 | Terminal R-14-6 CU | 3 | Price on req. |
| 45 | 140-030-35 | Hex.Bolt M6x12 SWRM | 3 | Price on req. |
| 46 | 016-000-04 | Lead Wire Protection Bush d21xd52x1t SBR | 2 | Price on req. |
| 47 | 058-000-38 | Lead Wire Protection Plate d114xd290x1t SPCC | 1 | Price on req. |
| 48 | 142-000-70 | Wave Washer d83xd99x0.9t SK5 | 1 | Price on req. |
| 49 | 052-112-10 | Bearing 6309ZZC3 | 1 | Price on req. |
| 50 | 056- | Stator | 1 | Price on req. |
| 51 | 140-126-13 | Hex.Bolt M16x50 SUS304 (EN X5CrNi18-10) Stainless Steel | 4 | Price on req. |
| 52 | 142-166-11 | Spring Washer M16 SUS304 | 4 | Price on req. |
| 53 | 064-001-22 | Motor Frame FC | 1 | Price on req. |
| 54 | 035-113-18 | Oil Plug M12x14 SUS304 | 2 | Price on req. |
| 55 | 121-247-12 | Packing d12.3xd18x2t PE | 2 | Price on req. |
| 56 | 144-148-13 | Stud Bolt M12x175(18/18) SUS403 (EN X6Cr13) Stainless Steel | 2 | Price on req. |
| 57 | 122-161-14 | O-Ring G-300 NBR | 1 | Price on req. |
| 58 | 121-001-41 | Packing (Water Way, Low.) KRS819/822-51/61 NBR | 1 | Price on req. |
| 59 | 055-002-80 | Rotor | 1 | Price on req. |
| 60 | 147-057-13 | Impeller Key 12x8x50L SUS420 | 1 | Price on req. |
| 61 | 061-000-17 | Slinger d90xd70x3t SPCC | 1 | Price on req. |
| 62 | 140-054-48 | Hex.Bolt M8x20 SWRM | 4 | Price on req. |
| 63 | 062-000-21 | Bearing Fixing Plate d130xd190x4.5t SS | 1 | Price on req. |
| 64 | 052-145-12 | Bearing 6314ZZD2C3 | 1 | Price on req. |
| 65 | 142-247-17 | Bearing Washer AW14 SPCC | 1 | Price on req. |
| 66 | 141-079-13 | Bearing Nut AN14 SS | 1 | Price on req. |
| 67 | 122-151-11 | O-Ring G-205 (NBR) | 1 | Price on req. |
| 68 | 060-001-74 | Bearing Housing FC | 1 | Price on req. |
| 69 | 142-164-35 | Spring Washer M10 SWRH | 4 | Price on req. |
| 70 | 140-076-33 | Hex.Bolt M10x30 SWRM | 4 | Price on req. |
| 71 | 025-000-62 | Mechanical Seal H-45X(E) SIC | 1 | Price on req. |
| 72 | 143-070-23 | Pan Screw M5x6 SWRM | 2 | Price on req. |
| 73 | 030-140-19 | Oil Lifter H-45 Resin | 1 | Price on req. |
| 74 | 143-070-10 | Pan Screw M5x6 SWRM | 3 | Price on req. |
| 75 | 030-149-18 | Seal Stopper H-40/45 SPCC | 1 | Price on req. |
| 76 | 020-464-11 | Pump Casing KRS-8H/8M Type FC | 1 | Price on req. |
| 77 | 142-165-10 | Spring Washer M12 SUS304 | 2 | Price on req. |

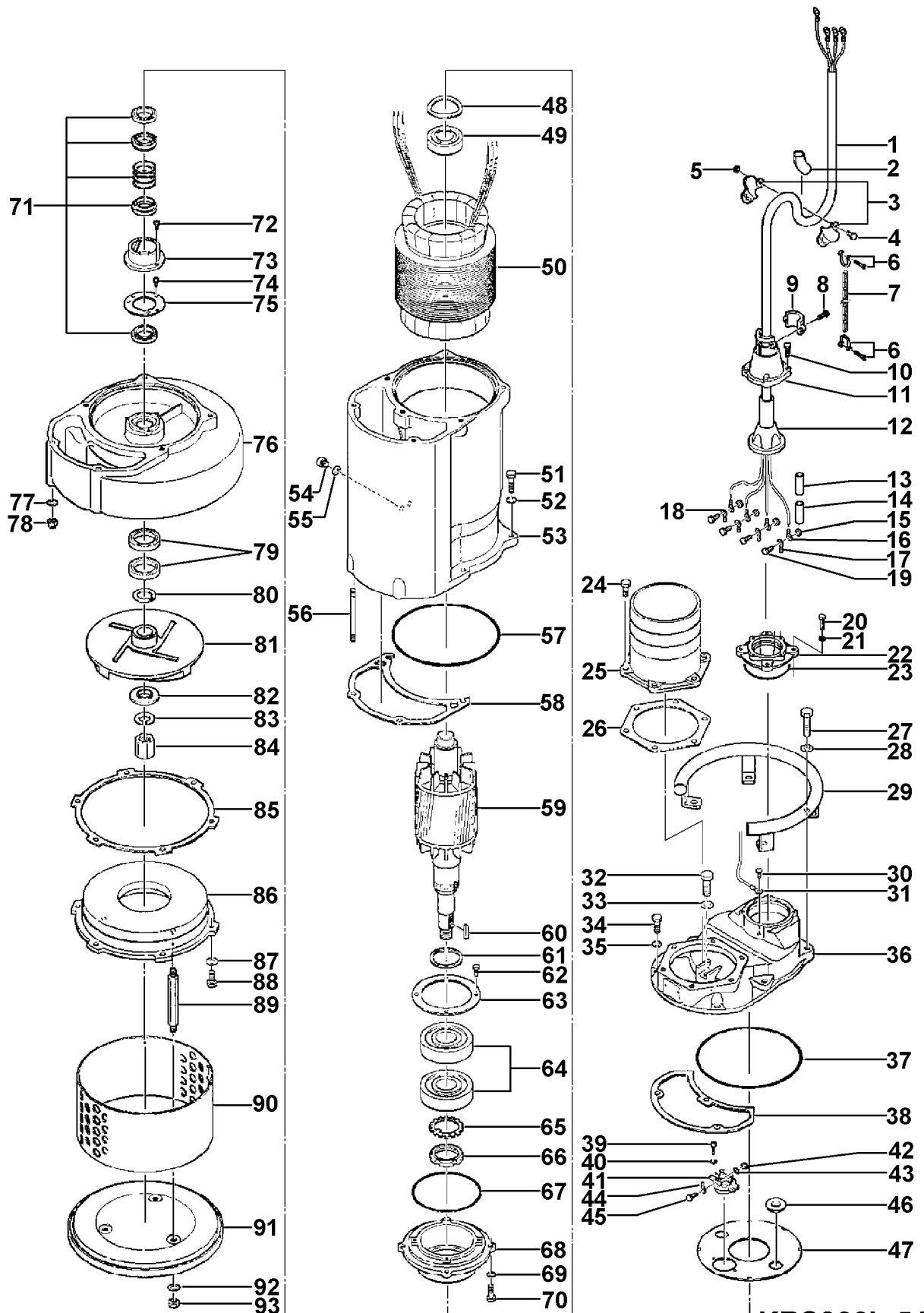
KRS822L-51

Kontroll-Nr. --

2019-01-28 V.20 / 1.11.2017

| Pos.no | Item no. | Description | Quant. | UP |
|--------|------------|---|--------|---------------|
| 78 | 141-032-14 | Hex.Cap Nut M12 SUS304 | 2 | Price on req. |
| 79 | 026-117-14 | Oil Seal TC-709212 NBR | 2 | Price on req. |
| 80 | 040-111-12 | Impeller Shim d42.5xd59x0.3t SUS304 (EN X5CrNi18-10) Stainless Steel | 2 | Price on req. |
| 81 | 021-320-17 | Impeller (50HZ) For KRS-822L FCD | 1 | Price on req. |
| 82 | 142-387-10 | Impeller Fixing Washer d31xd8x13t SUS304 (EN X5CrNi18-10) Stainless Steel | 1 | Price on req. |
| 83 | 142-171-19 | Spring Washer M30 SUS304 | 1 | Price on req. |
| 84 | 157-005-17 | Impeller Nut M30,P3.5(Hex.Cap Nut) S35C | 1 | Price on req. |
| 85 | 120-106-15 | Packing (S.Cover) d360xd390x0.5t PE | 2 | Price on req. |
| 86 | 022-143-17 | Suction Cover KRS-D8/B8 Type FC | 1 | Price on req. |
| 87 | 142-129-25 | Plain Washer M12 SPC | 6 | Price on req. |
| 88 | 140-098-15 | Hex.Bolt M12x35 SUS304 | 6 | Price on req. |
| 89 | 144-000-88 | Stud Bolt M12x211(20/24) SUS403 | 3 | Price on req. |
| 90 | 023-120-11 | Strainer KRZ-19/22KW Type SPC | 1 | Price on req. |
| 91 | 049-117-15 | Bottom Plate FCD | 1 | Price on req. |
| 92 | 142-129-25 | Plain Washer M12 SPC | 3 | Price on req. |
| 93 | 141-007-10 | Hex.Nut M12 SUS304 | 3 | Price on req. |
| | 173-003-17 | Packing & O-Ring Set | 1 | Price on req. |
| | #oilVG32 | ml Turbine Oil ISO VG32 | 6500 | Price on req. |

Exploded View KRS822L-51



KRS822L-51