

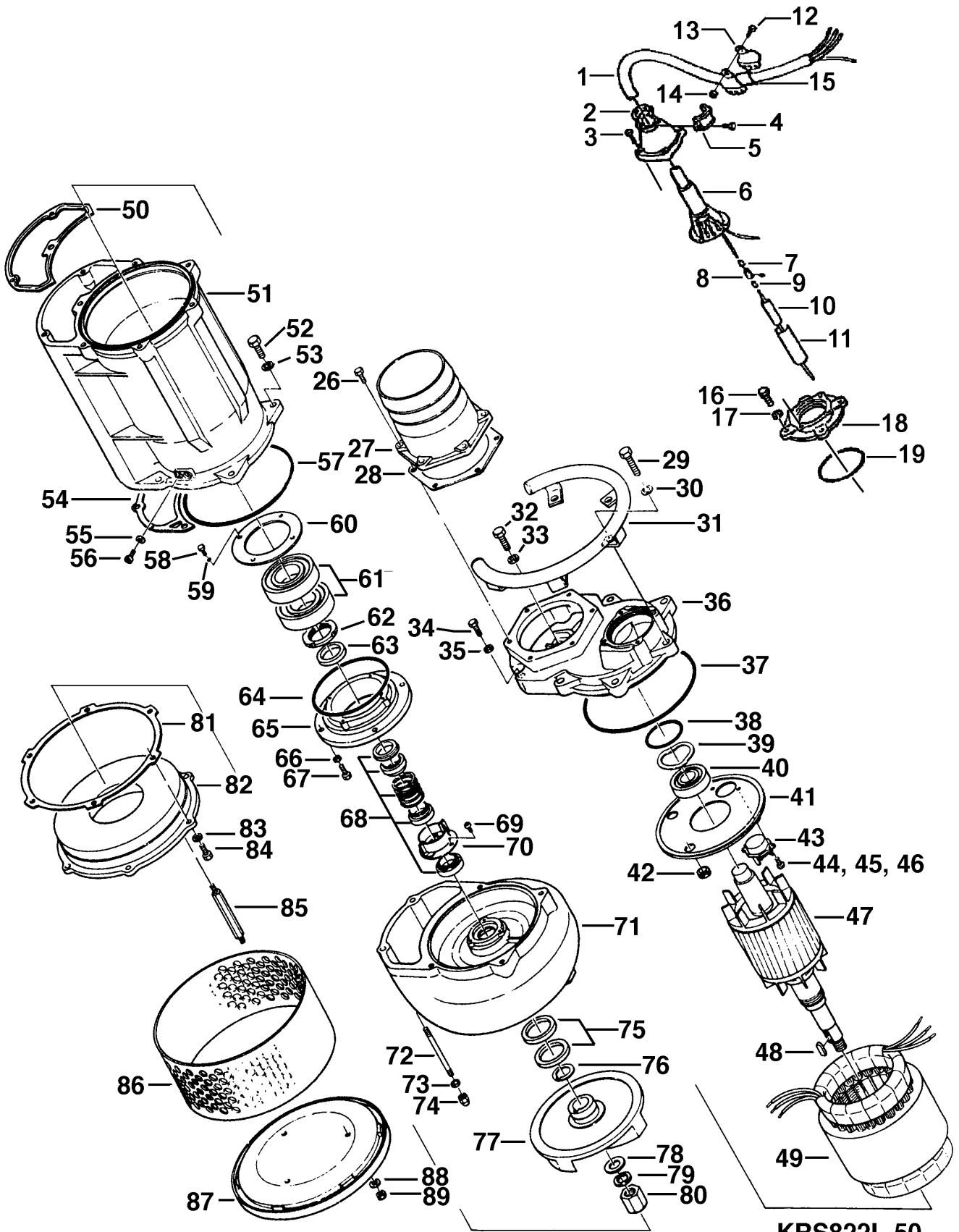
KRS822L-50

Kontroll-Nr. --

2019-01-28 V.20 / 1.11.2017

Pos.no	Item no.	Description	Quant.	UP
		Dichtungs-Oring-Satz	1	Price on req.
1	001-TEG-37	Cabtyre Cable Set (20m) H07RN-F4Cx10mm ² without stuffing box	1	Price on req.
1	M01-TEG-37	Cabtyre Cable Set (20m) NSSHÖU 4Cx10mm ²	1	Price on req.
2	006-127-15	Stuffing Box 380/400/415V-50Hz(EUR,NSU) No.3 FC	1	Price on req.
3	140-055-23	Hex.Bolt M8x25 SUS410	4	Price on req.
4	140-035-27	Hex.Bolt M6x20 SUS304 (EN X5CrNi18-10) Stainless Steel	2	Price on req.
5	070-107-18	Cable Clamp FC	1	Price on req.
6	008-148-18	Mould Cover KR3-10 CR	1	Price on req.
7	009-128-15	Terminal E (middle) CU	3	Price on req.
8	009-118-12	Terminal(C/W Screw) d12x(d8xd8)x25l BSBM	3	Price on req.
9	009-128-15	Terminal E (middle) CU	3	Price on req.
10	002-115-18	Heat Shrink Tube (Sold per meter) EVA(d16.5x1t) (Vm)	1	Price on req.
11	002-116-19	Heat Shrink Tube (Sold per meter) A4(d20x0.35t) (Vm)	1	Price on req.
12	140-035-27	Hex.Bolt M6x20 SUS304 (EN X5CrNi18-10) Stainless Steel	3	Price on req.
13	010-101-16	Cable Clip No.3 SPC	2	Price on req.
14	141-004-17	Hex.Nut M6 SUS304	3	Price on req.
15	010-128-19	Cable Clip Rubber 75x80x2t NBR	1	Price on req.
16	140-078-19	Hex.Bolt M10x30 SUS304	4	Price on req.
17	142-164-19	Spring Washer M10 SUS304	4	Price on req.
18	042-106-18	Stuffing Box Sheet 11KW FC	1	Price on req.
19	122-135-19	O-Ring G-120(119.4xd3.1) NBR	1	Price on req.
26	140-098-15	Hex.Bolt M12x35 SUS304	6	Price on req.
27	032-141-29	Hose Coupling 200mm(KRS) FC	1	Price on req.
28	121-144-18	Packing KRZ8(P.C.236xd190) NBR	1	Price on req.
29	140-132-12	Hex.Bolt M16x80 SUS304 (EN X5CrNi18-10) Stainless Steel	5	Price on req.
30	142-166-11	Spring Washer M16 SUS304	5	Price on req.
31	068-267-10	Handle KRS819/822(L)-50/60 Type SGP+SS	1	Price on req.
32	140-127-14	Hex.Bolt M16x55 SUS304 (EN X5CrNi18-10) Stainless Steel	1	Price on req.
33	142-166-11	Spring Washer M16 SUS304	1	Price on req.
34	140-101-12	Hex.Bolt M12x50 SUS304 (EN X5CrNi18-10) Stainless Steel	2	Price on req.
35	142-165-10	Spring Washer M12 SUS304	2	Price on req.
36	050-425-13	Motor Bracket FC	1	Price on req.
37	122-468-14	O-Ring 304.3xd5.7 NBR	1	Price on req.
38	122-131-15	O-Ring G-100 NBR	1	Price on req.
39	142-201-19	Wave Washer #6309 SK-5	1	Price on req.
40	052-112-10	Bearing 6309ZZC3	1	Price on req.
41	058-181-18	Lead Wire Protection Plate d110xd304x3.2t SPHC	1	Price on req.
42	016-135-17	Lead Wire Protection Bush KG-032(L=120) Nylon	2	Price on req.
43	053-401-12	Motor Protector 380/400/415V-50HZ KA315-JEAL00 (B.C)	1	Price on req.
44	142-112-25	Plain Washer M5 SPC	2	Price on req.
45	142-161-32	Spring Washer M5 SWRH	2	Price on req.
46	143-032-10	Pan Screw M5x16 SWRM	2	Price on req.
47	055-715-18	Rotor	1	Price on req.
48	147-007-18	Impeller Key 12x8x50l Stainless Steel	1	Price on req.
49	056-	Stator	1	Price on req.
50	121-510-19	Packing (Water Wav. Upp.) KRS819/822(L)-50/60 Type CR	1	Price on req.
51	064-494-29	Motor Frame FC	1	Price on req.
52	140-126-13	Hex.Bolt M16x50 SUS304 (EN X5CrNi18-10) Stainless Steel	4	Price on req.
53	142-166-11	Spring Washer M16 SUS304	4	Price on req.
54	121-132-13	Packing (Water Wav. Low.) KRS-8H/8M Type NBR	1	Price on req.
55	121-247-12	Packing d12.3xd18x2t PE	2	Price on req.
56	035-113-18	Oil Plug M12x14 SUS304	2	Price on req.
57	122-161-14	O-Ring G-300 NBR	1	Price on req.
58	140-054-48	Hex.Bolt M8x20 SWRM	4	Price on req.
59	142-163-34	Spring Washer M8 SWRH	4	Price on req.
60	062-216-16	Bearing Fixing Plate KRS819/822(L)-50/60 Type SS	1	Price on req.
61	052-145-12	Bearing 6314ZZD2C3	1	Price on req.
62	142-247-17	Bearing Washer AW14 SPCC	1	Price on req.
63	141-079-13	Bearing Nut AN14 SS	1	Price on req.
64	122-152-12	O-Ring G-210 NBR	1	Price on req.
65	060-413-19	Bearing Housing FC	1	Price on req.
66	142-164-19	Spring Washer M10 SUS304	4	Price on req.
67	140-078-19	Hex.Bolt M10x30 SUS304	4	Price on req.
68	025-000-62	Mechanical Seal H-45X(E) SIC	1	Price on req.
69, 70	143-070-23	Pan Screw M5x6 SWRM	2	Price on req.
69, 70	030-140-19	Oil Lifter H-45 Resin	1	Price on req.
69, 70	143-070-10	Pan Screw M5x6 SWRM	3	Price on req.
69, 70	030-149-18	Seal Stopper H-40/45 SPCC	1	Price on req.
71	020-464-11	Pump Casing KRS-8H/8M Type FC	1	Price on req.
72	144-148-13	Stud Bolt M12x175(18/18) SUS403 (EN X6Cr13) Stainless Steel	2	Price on req.
73	142-165-10	Spring Washer M12 SUS304	2	Price on req.
74	141-032-14	Hex.Cap Nut M12 SUS304	2	Price on req.
75	026-117-14	Oil Seal TC-709212 NBR	2	Price on req.
76	040-111-12	Impeller Shim d42.5xd59x0.3t SUS304 (EN X5CrNi18-10) Stainless Steel	1	Price on req.
77	021-738-25	Impeller (50HZ) For KRS-822 FCD	1	Price on req.
77	021-320-17	Impeller (50HZ) For KRS-822L FCD	1	Price on req.
78	142-387-10	Impeller Fixing Washer d31xd8x13t SUS304 (EN X5CrNi18-10) Stainless Steel	1	Price on req.
79	142-171-19	Spring Washer M30 SUS304	1	Price on req.
80	157-005-17	Impeller Nut M30,P3.5(Hex.Cap Nut) S35C	1	Price on req.
81	120-106-15	Packing (S.Cover) d360xd390x0.5t PE	1	Price on req.
82	022-143-17	Suction Cover KRS-D8/B8 Type FC	1	Price on req.
83	142-129-25	Plain Washer M12 SPC	6	Price on req.
84	140-098-15	Hex.Bolt M12x35 SUS304	6	Price on req.

Exploded View KRS822L-50



KRS822L-50