

KRS822-51

Kontroll-Nr. --

2019-01-28 V.20 / 1.11.2017

Pos.no	Item no.	Description	Quant.	UP
		Dichtungs-Oring-Satz	1	Price on req.
1	001-TEG-37	Cabtyre Cable Set (20m) H07RN-F4Cx10mm ² without stuffing box	1	Price on req.
1	M01-TEG-37	Cabtyre Cable Set (20m) NSSHÖU 4Cx10mm ²	1	Price on req.
2	010-128-19	Cable Clip Rubber 75x80x2t NBR	1	Price on req.
3	010-101-16	Cable Clip No.3 SPC	2	Price on req.
4	140-035-27	Hex.Bolt M6x20 SUS304 (EN X5CrNi18-10) Stainless Steel	3	Price on req.
5	141-004-17	Hex.Nut M6 SUS304	3	Price on req.
6	011-101-19	Shackle 6mm SS	2	Price on req.
7	095-132-19	Chain 4mm SS	1	Price on req.
8	140-035-14	Hex.Bolt M6x20 SUS304	2	Price on req.
9	070-107-18	Cable Clamp FC	1	Price on req.
10	140-055-23	Hex.Bolt M8x25 SUS410	4	Price on req.
11	006-127-15	Stuffing Box 380/400/415V-50Hz(EUR,NSU) No.3 FC	1	Price on req.
12	008-145-15	Mould Cover KR3-7 CR	1	Price on req.
13	002-115-18	Heat Shrink Tube (Sold per meter) EVA(d16.5x1t) (Vm)	1	Price on req.
14	002-116-19	Heat Shrink Tube (Sold per meter) A4(d20x0.35t) (Vm)	1	Price on req.
15	141-004-46	Hex.Nut M6 BSBM	4	Price on req.
16	009-107-18	Terminal R-14-6 CU	1	Price on req.
16	009-106-17	Terminal(EUR,NSU) R-8-6 CU	1	Price on req.
17	009-107-18	Terminal R-14-6 CU	3	Price on req.
18	009-107-18	Terminal R-14-6 CU	1	Price on req.
18	009-106-17	Terminal(EUR,NSU) R-8-6 CU	1	Price on req.
19	140-029-28	Hex.Bolt M6x10 SWRM	4	Price on req.
20	140-078-19	Hex.Bolt M10x30 SUS304	4	Price on req.
21	142-164-19	Spring Washer M10 SUS304	4	Price on req.
22	042-106-18	Stuffing Box Sheet 11KW FC	1	Price on req.
23	122-135-19	O-Ring G-120(119.4xd3.1) NBR	6	Price on req.
24	140-098-15	Hex.Bolt M12x35 SUS304	6	Price on req.
25	032-141-29	Hose Coupling 200mm(KRS) FC	1	Price on req.
26	121-144-18	Packing KRZ8(P.C.236xd190) NBR	1	Price on req.
27	140-130-10	Hex.Bolt M16x70 SUS304 (EN X5CrNi18-10)	4	Price on req.
28	142-166-11	Spring Washer M16 SUS304	4	Price on req.
29	068-000-41	Handle KRS819/22-51/61 SGP+SS	1	Price on req.
29	061-000-11	Bearing Collar d45xd71x3t SPCC	1	Price on req.
30	143-000-58	Pan Screw (w/Spring Washer/Plain Washer) M6x12 SWRM	1	Price on req.
31	009-107-18	Terminal R-14-6 CU	1	Price on req.
31	009-106-17	Terminal(EUR,NSU) R-8-6 CU	1	Price on req.
32	140-127-14	Hex.Bolt M16x55 SUS304 (EN X5CrNi18-10) Stainless Steel	1	Price on req.
33	142-166-11	Spring Washer M16 SUS304	1	Price on req.
34	140-101-12	Hex.Bolt M12x50 SUS304 (EN X5CrNi18-10) Stainless Steel	2	Price on req.
35	142-165-10	Spring Washer M12 SUS304	2	Price on req.
36	050-001-08	Motor Bracket FC	1	Price on req.
37	122-160-13	O-Ring (M.Bracket/M.Frame) G-290(289.3xd5.7) NBR	1	Price on req.
38	121-001-44	Packing (Water Way, Upp.) KRS819/822-51/61 SBR	1	Price on req.
39	143-032-10	Pan Screw M5x16 SWRM	2	Price on req.
40	142-112-25	Plain Washer M5 SPC	2	Price on req.
41	053-401-12	Motor Protector 380/400/415V-50HZ KA315-JEAL00 (B.C)	1	Price on req.
42	141-004-59	Hex.Nut M6 SWRM	3	Price on req.
43	142-000-30	Spring Washer M6 SWRM	3	Price on req.
44	009-107-18	Terminal R-14-6 CU	3	Price on req.
45	140-030-35	Hex.Bolt M6x12 SWRM	3	Price on req.
46	016-000-04	Lead Wire Protection Bush d21xd52x1t SBR	2	Price on req.
47	058-000-38	Lead Wire Protection Plate d114xd290x1t SPCC	1	Price on req.
48	142-000-70	Wave Washer d83xd99x0.9t SK5	1	Price on req.
49	052-112-10	Bearing 6309ZZC3	1	Price on req.
50	056-	Stator	1	Price on req.
51	140-126-13	Hex.Bolt M16x50 SUS304 (EN X5CrNi18-10) Stainless Steel	4	Price on req.
52	142-166-11	Spring Washer M16 SUS304	4	Price on req.
53	064-001-22	Motor Frame FC	1	Price on req.
54	035-113-18	Oil Plug M12x14 SUS304	2	Price on req.
55	121-247-12	Packing d12.3xd18x2t PE	2	Price on req.
56	144-148-13	Stud Bolt M12x175(18/18) SUS403 (EN X6Cr13) Stainless Steel	2	Price on req.
57	122-161-14	O-Ring G-300 NBR	1	Price on req.
58	121-001-41	Packing (Water Way, Low.) KRS819/822-51/61 NBR	1	Price on req.
59	055-002-80	Rotor	1	Price on req.
60	147-057-13	Impeller Key 12x8x50L SUS420	1	Price on req.
61	061-000-17	Slinger d90xd70x3t SPCC	1	Price on req.
62	140-054-48	Hex.Bolt M8x20 SWRM	4	Price on req.
63	062-000-21	Bearing Fixing Plate d130xd190x4.5t SS	1	Price on req.
64	052-145-12	Bearing 6314ZZD2C3	1	Price on req.
65	142-247-17	Bearing Washer AW14 SPCC	1	Price on req.
66	141-079-13	Bearing Nut AN14 SS	1	Price on req.
67	122-151-11	O-Ring G-205 (NBR)	1	Price on req.
68	060-001-74	Bearing Housing FC	1	Price on req.
69	142-164-35	Spring Washer M10 SWRH	4	Price on req.
70	140-076-33	Hex.Bolt M10x30 SWRM	4	Price on req.
71	025-000-62	Mechanical Seal H-45X(E) SIC	1	Price on req.
72	143-070-23	Pan Screw M5x6 SWRM	2	Price on req.
73	030-140-19	Oil Lifter H-45 Resin	1	Price on req.
74	143-070-10	Pan Screw M5x6 SWRM	3	Price on req.
75	030-149-18	Seal Stopper H-40/45 SPCC	1	Price on req.
76	020-464-11	Pump Casing KRS-8H/8M Type FC	1	Price on req.
77	142-165-10	Spring Washer M12 SUS304	2	Price on req.

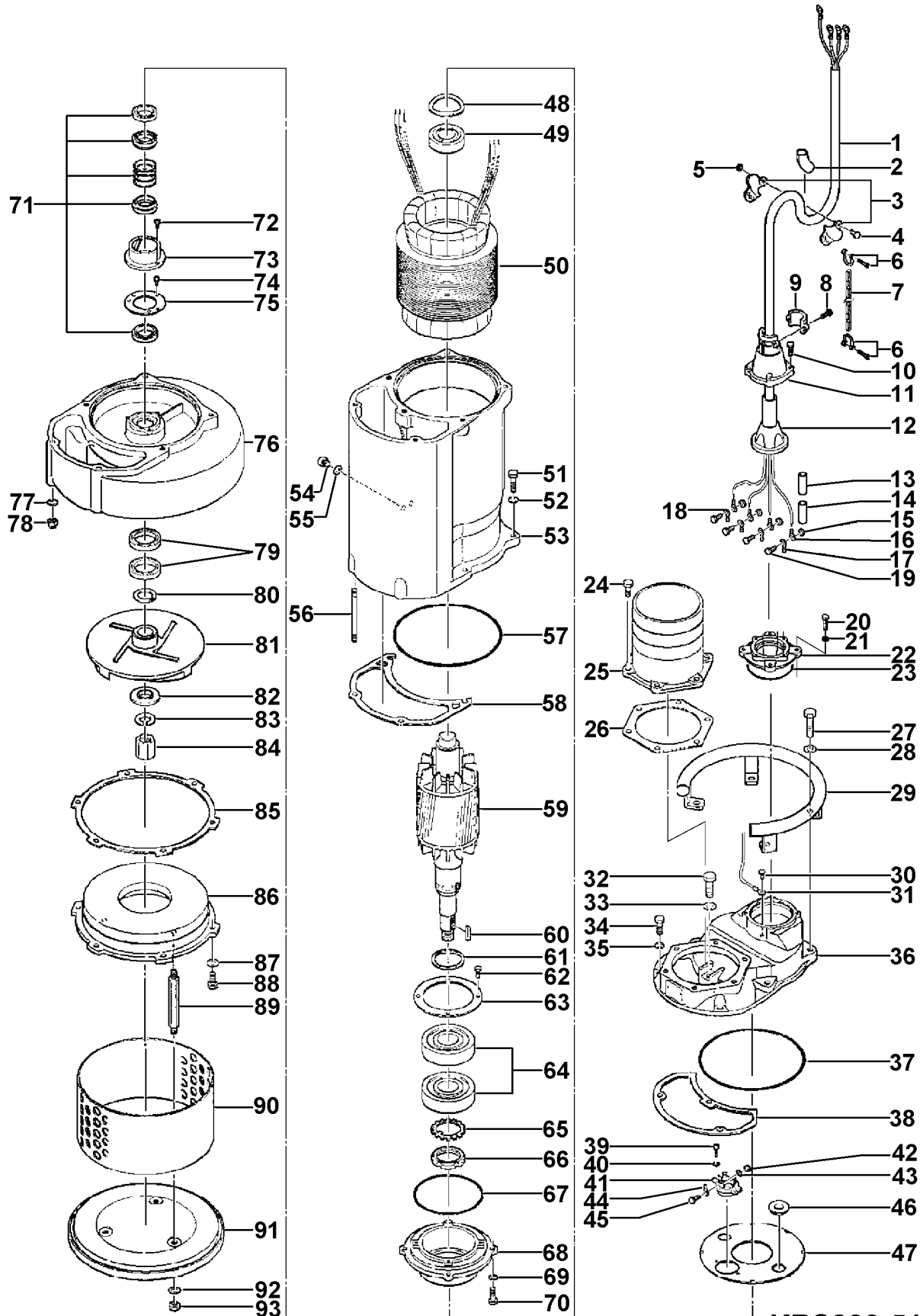
KRS822-51

Kontroll-Nr. --

2019-01-28 V.20 / 1.11.2017

Pos.no	Item no.	Description	Quant.	UP
78	141-032-14	Hex.Cap Nut M12 SUS304	2	Price on req.
79	026-117-14	Oil Seal TC-709212 NBR	2	Price on req.
80	040-111-12	Impeller Shim d42.5xd59x0.3t SUS304 (EN X5CrNi18-10) Stainless Steel	2	Price on req.
81	021-738-25	Impeller (50HZ) For KRS-822 FCD	1	Price on req.
82	142-387-10	Impeller Fixing Washer d31xd8x13t SUS304 (EN X5CrNi18-10) Stainless Steel	1	Price on req.
83	142-171-19	Spring Washer M30 SUS304	1	Price on req.
84	157-005-17	Impeller Nut M30,P3.5(Hex.Cap Nut) S35C	1	Price on req.
85	120-106-15	Packing (S.Cover) d360xd390x0.5t PE	2	Price on req.
86	022-144-21	Suction Cover KRZ-19/22H Type FC	1	Price on req.
87	142-129-25	Plain Washer M12 SPC	6	Price on req.
88	140-098-15	Hex.Bolt M12x35 SUS304	6	Price on req.
89	144-000-88	Stud Bolt M12x211(20/24) SUS403	3	Price on req.
90	023-120-11	Strainer KRZ-19/22KW Type SPC	1	Price on req.
91	049-117-15	Bottom Plate FCD	1	Price on req.
92	142-129-25	Plain Washer M12 SPC	3	Price on req.
93	141-007-10	Hex.Nut M12 SUS304	3	Price on req.
	173-003-17	Packing & O-Ring Set	1	Price on req.
	#oilVG32	ml Turbine Oil ISO VG32	6500	Price on req.

Exploded View KRS822-51



KRS822-51