

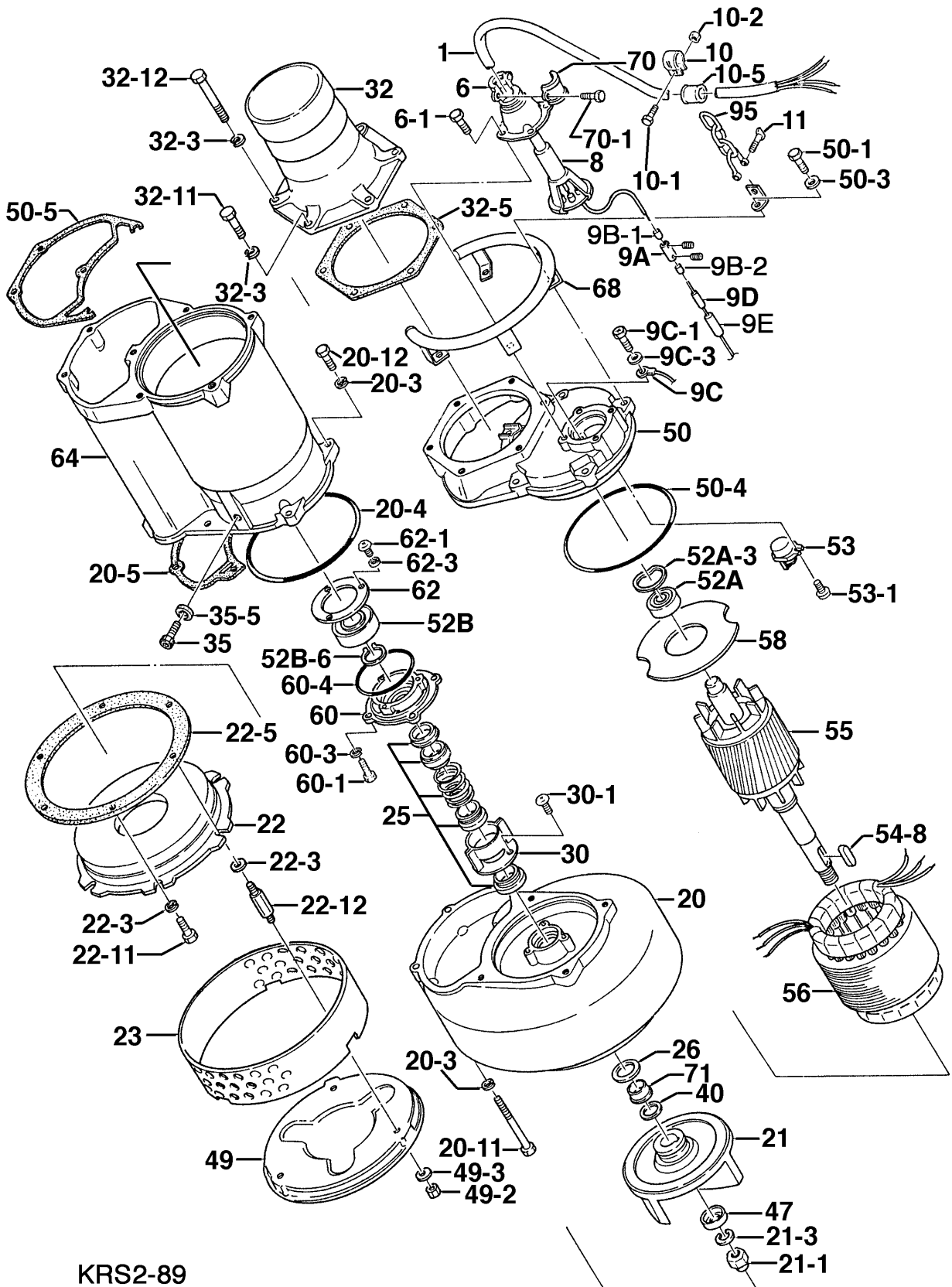
KRS2-89

Kontroll-Nr. --

2019-01-28 V.20 / 1.11.2017

| Pos.no | Item no. | Description | Quant. | UP |
|----------|------------|---|--------|---------------|
| | | Dichtungs-Oring-Satz | 1 | Price on req. |
| 1 | 001-TEG-11 | Cabtyre Cable Set (20m) H07RN-F4Cx4mm ² without stuffing box | 1 | Price on req. |
| 1 | M01-TEG-11 | Cabtyre Cable Set (20m) NSSHÖU 4Cx4mm ² | 1 | Price on req. |
| 6 | 006-127-15 | Stuffing Box 380/400/415V-50Hz(EUR,NSU) No.3 FC | 1 | Price on req. |
| 6-1 | 140-055-10 | Hex.Bolt M8x25 SUS304 | 4 | Price on req. |
| 8 | 008-150-13 | Mould Cover 380V-50Hz KR3-12 CR | 1 | Price on req. |
| 9A | 009-101-12 | Terminal(C/W Screw) d12x(d6.6xd6.6)x25l C3604 | 3 | Price on req. |
| 9B-1 | 009-123-10 | Terminal (EUR,NSU) P-5.5 CU | 3 | Price on req. |
| 9B-2 | 009-123-10 | Terminal (EUR,NSU) P-5.5 CU | 3 | Price on req. |
| 9C | 009-131-11 | Terminal 380V-50Hz R-5.5-6 CU | 1 | Price on req. |
| 9C-1 | 143-014-16 | Pan Screw M4x8 SWRM | 1 | Price on req. |
| 9C-3 | 142-160-31 | Spring Washer M4 SWRH | 1 | Price on req. |
| 9D | 002-129-15 | Heat Shrink Tube (Sold per meter) EVA(d14x1t) (Vm) | 1 | Price on req. |
| 9E | 002-132-11 | Heat Shrink Tube (Sold per meter) A4(d17x0.27t) (Vm) | 1 | Price on req. |
| 10 | 010-120-18 | Cable Clip No.2-1 SPC | 1 | Price on req. |
| 10-1 | 140-033-12 | Hex.Bolt M6x16 SUS304 (EN X5CrNi18-10) Stainless Steel | 2 | Price on req. |
| 10-2 | 141-004-17 | Hex.Nut M6 SUS304 | 2 | Price on req. |
| 10-5 | 010-122-10 | Cable Clip Rubber No.2 NBR | 1 | Price on req. |
| 11 | 011-110-11 | Shackle 6mm SS | 1 | Price on req. |
| 20 | 020-478-18 | Pump Casing KRS-8S FC | 1 | Price on req. |
| 20-11 | 140-113-17 | Hex.Bolt M12x120 SUS304 | 2 | Price on req. |
| 20-12 | 140-100-11 | Hex.Bolt M12x45 SUS304 | 4 | Price on req. |
| 20-3 | 142-165-10 | Spring Washer M12 SUS304 | 6 | Price on req. |
| 20-4 | 122-311-11 | O-Ring 220xd3.5 NBR | 1 | Price on req. |
| 20-5 | 121-130-11 | Packing (Water Wav. Low.) KRS-8S NBR | 1 | Price on req. |
| 21 | 021-A08-41 | Impeller (50HZ) 50Hz FCD | 1 | Price on req. |
| 21-2 | 157-010-15 | Impeller Nut M30,P3.5(B=41,Hex.Cap Nut) S35C | 1 | Price on req. |
| 21-3 | 142-171-19 | Spring Washer M30 SUS304 | 1 | Price on req. |
| 22 | 022-585-15 | Suction Cover KRS-89 FC | 1 | Price on req. |
| 22-11 | 140-097-14 | Hex.Bolt M12x30 SUS304 | 3 | Price on req. |
| 22-12 | 144-153-24 | Stud Bolt M12x142(15/28.5) SUS403 (EN X6Cr13) Stainless Steel | 3 | Price on req. |
| 22-3 | 142-129-25 | Plain Washer M12 SPC | 6 | Price on req. |
| 22-5 | 120-105-14 | Packing (S.Cover) d291xd348x0.5t PE | 1 | Price on req. |
| 23 | 023-278-15 | Strainer NKZ2-D6/B6 SPC | 1 | Price on req. |
| 25 | 025-000-96 | Mechanical Seal H-35 SiC | 1 | Price on req. |
| 26 | 026-123-13 | Oil Seal TC-406211 NBR | 1 | Price on req. |
| 30, 30-1 | 143-070-23 | Pan Screw M5x6 SWRM | 2 | Price on req. |
| 30, 30-1 | 030-156-18 | Oil Lifter H-35(A)(T) Resin | 1 | Price on req. |
| 30, 30-1 | 143-070-10 | Pan Screw M5x6 SWRM | 3 | Price on req. |
| 30, 30-1 | 030-150-12 | Seal Stopper H-35(A)(T) SPCC | 1 | Price on req. |
| 32 | 032-141-29 | Hose Coupling 200mm(KRS) FC | 1 | Price on req. |
| 32-11 | 140-099-16 | Hex.Bolt M12x40 SUS304 | 4 | Price on req. |
| 32-12 | 140-112-16 | Hex.Bolt M12x110 SUS304 (EN X5CrNi18-10) Stainless Steel | 2 | Price on req. |
| 32-3 | 142-165-10 | Spring Washer M12 SUS304 | 6 | Price on req. |
| 32-5 | 121-144-18 | Packing KRZ8(P.C.236xd190) NBR | 1 | Price on req. |
| 35 | 035-113-18 | Oil Plug M12x14 SUS304 | 1 | Price on req. |
| 35-5 | 121-247-12 | Packing d12.3xd18x2t PE | 1 | Price on req. |
| 40 | 040-110-24 | Impeller Shim d32.5xd58x0.3t SUS304 (EN X5CrNi18-10) Stainless Steel | 1 | Price on req. |
| 47 | 047-107-16 | Impeller Thread Protect.Cover No.6(33) SPC | 1 | Price on req. |
| 49 | 049-136-10 | Bottom Plate D6 SPC | 1 | Price on req. |
| 49-2 | 141-007-10 | Hex.Nut M12 SUS304 | 3 | Price on req. |
| 49-3 | 142-129-25 | Plain Washer M12 SPC | 3 | Price on req. |
| 50 | 050-372-14 | Motor Bracket FC | 1 | Price on req. |
| 50-1 | 140-101-12 | Hex.Bolt M12x50 SUS304 (EN X5CrNi18-10) Stainless Steel | 5 | Price on req. |
| 50-3 | 142-165-10 | Spring Washer M12 SUS304 | 5 | Price on req. |
| 50-4 | 122-250-11 | O-Ring 230xd3.8 NBR | 1 | Price on req. |
| 50-5 | 121-200-13 | Packing (Water Way, Upp.) KRS-8S(T) NBR | 1 | Price on req. |
| 52-A | 052-110-18 | Bearing 6307ZZC3 | 1 | Price on req. |
| 52A-3 | 142-199-13 | Wave Washer #6208/6307 SK-5 | 1 | Price on req. |
| 52B | 052-113-11 | Bearing 6310ZZC3 | 1 | Price on req. |
| 53 | 053- | Motor Protector | 1 | Price on req. |
| 54-8 | 147-021-18 | Impeller Key 8x8x44l Stainless Steel | 1 | Price on req. |
| 55 | 055-385-17 | Rotor & Shaft | 1 | Price on req. |
| 56 | 056- | Stator | 1 | Price on req. |
| 58 | 058-120-19 | Lead Wire Protection Plate d94xd220x1.6t Resin | 1 | Price on req. |
| 60 | 060-222-19 | Bearing Housing FC | 1 | Price on req. |
| 60-1 | 140-055-49 | Hex.Bolt M8x25 SWRM | 4 | Price on req. |
| 60-3 | 142-163-34 | Spring Washer M8 SWRH | 4 | Price on req. |
| 60-4 | 122-140-17 | O-Ring G-145 NBR | 1 | Price on req. |
| 62 | 062-158-19 | Bearing Fixing Plate d95xd144x4.5t SPCC | 1 | Price on req. |
| 62-1 | 143-042-13 | Pan Screw M6x10 SWRM | 3 | Price on req. |
| 62-3 | 142-162-33 | Spring Washer M6 SWRH | 3 | Price on req. |
| 64 | 064-382-17 | Motor Frame FC | 1 | Price on req. |
| 68 | 068-159-18 | Handle KRS-C6/A6/8S(T) SGP+SPC | 1 | Price on req. |
| 70 | 070-107-18 | Cable Clamp FC | 1 | Price on req. |
| 70-1 | 140-035-27 | Hex.Bolt M6x20 SUS304 (EN X5CrNi18-10) Stainless Steel | 2 | Price on req. |
| 71 | 071-128-47 | Shaft Sleeve KRS-7.5/11KW SUS403 (EN X6Cr13) Stainless Steel | 1 | Price on req. |
| 95 | 095-131-18 | Chain 4mm(3L) SS | 1 | Price on req. |
| | 173-437-12 | Packing & O-Ring Set | 1 | Price on req. |
| | ##oilVG32 | ml Turbine Oil ISO VG32 | 2300 | Price on req. |

Exploded View KRS2-89



KRS2-89