

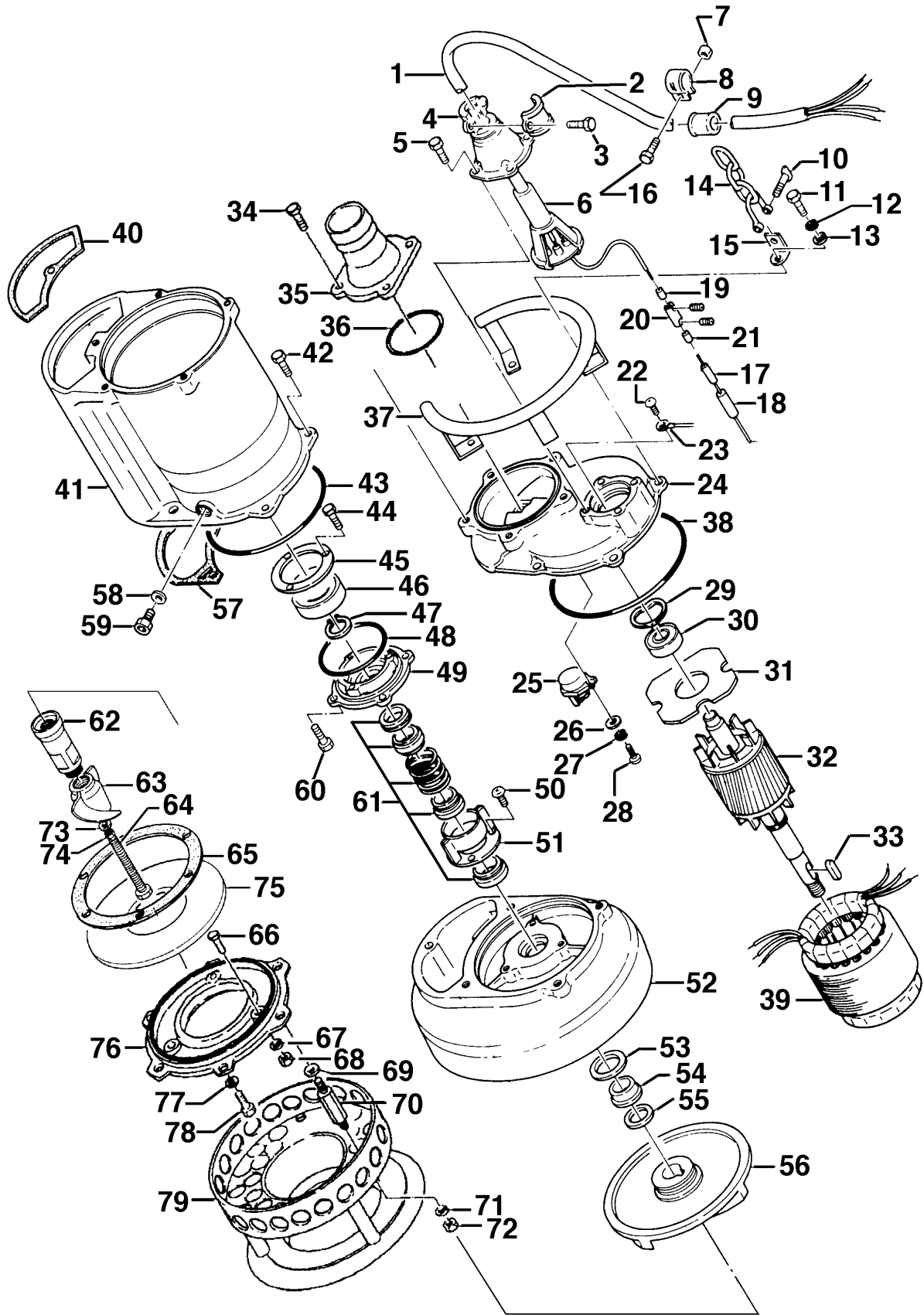
KRS2-80

Kontroll-Nr. --

2019-02-2C V.01.02.2019

Pos.no	Item no.	Description	Quant.	UP
		Dichtungs-Oring-Satz	1	Price on req.
1	001-TEG-09	Cabtyre Cable Set (20m) H07RN-F4Cx2,5mm ² without stuffing box	1	Price on req.
1	M01-TEG-09	Cabtyre Cable Set (20m) NSSHÖU 4Cx2,5mm ²	1	Price on req.
2	070-107-18	Cable Clamp FC	1	Price on req.
3	140-035-27	Hex.Bolt M6x20 SUS304 (EN X5CrNi18-10) Stainless Steel	2	Price on req.
4	006-126-14	Stuffing Box No.2 FC	1	Price on req.
5	140-055-10	Hex.Bolt M8x25 SUS304	4	Price on req.
6	008-136-13	Mould Cover KR2-1 CR	1	Price on req.
7	141-004-17	Hex.Nut M6 SUS304	1	Price on req.
8	010-120-18	Cable Clip No.2-1 SPC	1	Price on req.
9	010-121-19	Cable Clip Rubber (EUR.NSU) No.1 NBR	1	Price on req.
10	011-110-11	Shackle 6mm SS	1	Price on req.
11	140-081-15	Hex.Bolt M10x50 SUS304 (EN X5CrNi18-10) Stainless Steel	4	Price on req.
12	142-164-19	Spring Washer M10 SUS304	4	Price on req.
13	142-128-11	Plain Washer M10 Kaltgewalztes Blech	1	Price on req.
14	095-131-18	Chain 4mm(3L) SS	1	Price on req.
15	070-103-10	L-Shape Fitting KT-55 SPC	1	Price on req.
16	140-032-11	Hex.Bolt M6x15 SUS304 (EN X5CrNi18-10) Stainless Steel	1	Price on req.
17	002-129-15	Heat Shrink Tube (Sold per meter) EVA(d14x1t) (Vm)	1	Price on req.
18	002-132-11	Heat Shrink Tube (Sold per meter) A4(d17x0.27t) (Vm)	1	Price on req.
19	009-123-10	Terminal (EUR,NSU) P-5,5 CU	3	Price on req.
20	009-101-12	Terminal(C/W Screw) d12x(d6.6xd6.6)x25l C3604	3	Price on req.
21	009-123-10	Terminal (EUR,NSU) P-5,5 CU	3	Price on req.
22	143-085-34	Pan Screw (w/Spring Washer) M4x6 C3604 (EN CuZn39Pb3)	1	Price on req.
23	009-122-19	Terminal R-3.5-4 CU	1	Price on req.
24	050-363-12	Motor Bracket FC	1	Price on req.
25	053-196-11	Motor Protector 220-230V-50HZ KA314-HLXL00 (B.C)	1	Price on req.
26	142-124-20	Plain Washer M4 SPC	2	Price on req.
27	142-160-31	Spring Washer M4 SWRH	2	Price on req.
28	143-016-18	Pan Screw M4x12 SWRM	2	Price on req.
29	142-197-11	Wave Washer #6305 SK-5	1	Price on req.
30	052-108-13	Bearing 6305ZCC3	1	Price on req.
31	058-155-13	Lead Wire Protection Plate d78xd180x1.6t Bakelite	1	Price on req.
32	055-453-15	Rotor	1	Price on req.
33	147-019-13	Impeller Key 7x7x32l Stainless Steel	1	Price on req.
34	140-000-01	Hex.Bolt M10x30(B=14) SUS304 (EN X5CrNi18-10) Stainless Steel	4	Price on req.
35	032-119-28	Hose Coupling 80mm(D3/B3) FC	1	Price on req.
35	032-437-12	Hose Coupling (for EUR)KTV(BSPT-3) FC	1	Price on req.
36	122-132-16	O-Ring (S.Box) G-105(104.4xd3.1) NBR	1	Price on req.
37	068-235-19	Handle KRS2-5.5KW SGP+SPC	1	Price on req.
38	122-410-11	O-Ring 190xd3.8 NBR	1	Price on req.
39	056-001-94	Stator 400/415V-50Hz	1	Price on req.
40	121-409-14	Packing (Water Wav. Upp.) KRS2-5.5KW NBR	1	Price on req.
41	064-443-10	Motor Frame FC	1	Price on req.
42	140-099-16	Hex.Bolt M12x40 SUS304	1	Price on req.
43	122-310-10	O-Ring 200xd3.5 NBR	1	Price on req.
44	143-042-13	Pan Screw M6x10 SWRM	3	Price on req.
45	062-116-15	Bearing Fixing Plate d80xd115x3.2t SS	1	Price on req.
46	052-111-19	Bearing 6308ZCC3	1	Price on req.
47	146-025-19	Retaining Ring C40 SK-5	1	Price on req.
48	122-134-18	O-Ring G-115 NBR	1	Price on req.
49	060-272-14	Bearing Housing FC	1	Price on req.
50, 51	143-070-23	Pan Screw M5x6 SWRM	2	Price on req.
50, 51	030-142-11	Oil Lifter H-30(A)(T) Resin	1	Price on req.
50, 51	143-070-10	Pan Screw M5x6 SWRM	3	Price on req.
50, 51	030-151-13	Seal Stopper H-30(A)(T) SPCC	1	Price on req.
52	020-379-18	Pump Casing B3 FC	1	Price on req.
53	026-109-13	Oil Seal TC-355511 NBR	1	Price on req.
54	071-127-46	Shaft Sleeve KRS-3.7/5.5KW SUS403 (EN X6Cr13) Stainless Steel	1	Price on req.
55	040-109-20	Impeller Shim d27.5xd52x0.3t SUS304 (EN X5CrNi18-10) Stainless Steel	1	Price on req.
56	021-570-14	Impeller (50Hz) 50Hz HiCrFC	1	Price on req.
57	121-128-16	Packing (Water Way, Low.) KRS-3.7/5.5 NBR	1	Price on req.
58	121-247-12	Packing d12.3xd18x2t PE	1	Price on req.
59	035-113-18	Oil Plug M12x14 SUS304	1	Price on req.
60	140-054-48	Hex.Bolt M8x20 SWRM	4	Price on req.
61	025-001-02	Mechanical Seal H-30T(T) SIC	1	Price on req.
62	024-125-22	Connection Rod KRS-80 FCMB	1	Price on req.
63	024-120-14	Stirrer GPN-80 HiCrFC	1	Price on req.
64	140-139-19	Hex.Bolt M16x143(B=19.) SUS304 (EN X5CrNi18-10) Stainless Steel	1	Price on req.
65	120-129-14	Packing d230xd288x0.5t PE	1	Price on req.
66	140-001-08	Hex.Bolt M8x35(B=14) SWRM	3	Price on req.
67	142-210-11	Plain Washer d8.6xd13.4x1t SUS304 (EN X5CrNi18-10) Stainless Steel	3	Price on req.
68	141-005-18	Hex.Nut M8 SUS304 (EN X5CrNi18-10)	3	Price on req.
69	142-129-25	Plain Washer M12 SPC	3	Price on req.
70	144-478-15	Stud Bolt M12x11(25/21) SUS403 (EN-X6Cr13)	3	Price on req.
71	142-165-10	Spring Washer M12 SUS304	3	Price on req.
72	141-007-10	Hex.Nut M12 SUS304	3	Price on req.
73	142-130-16	Plain Washer M16 SUS304 (EN X5Cr18-10)	1	Price on req.
74	141-008-40	Hex.Nut M16(=10) SUS304 (EN X5CrNi18-10) Stainless Steel	1	Price on req.
75	033-115-14	Suction Plate KRS-80 HiCrFC	1	Price on req.
76	022-419-17	Suction Cover KRS-80 FC	1	Price on req.
77	142-129-25	Plain Washer M12 SPC	3	Price on req.
78	140-096-13	Hex.Bolt M12x25 SUS304	3	Price on req.

Exploded View KRS2-80



KRS2-80