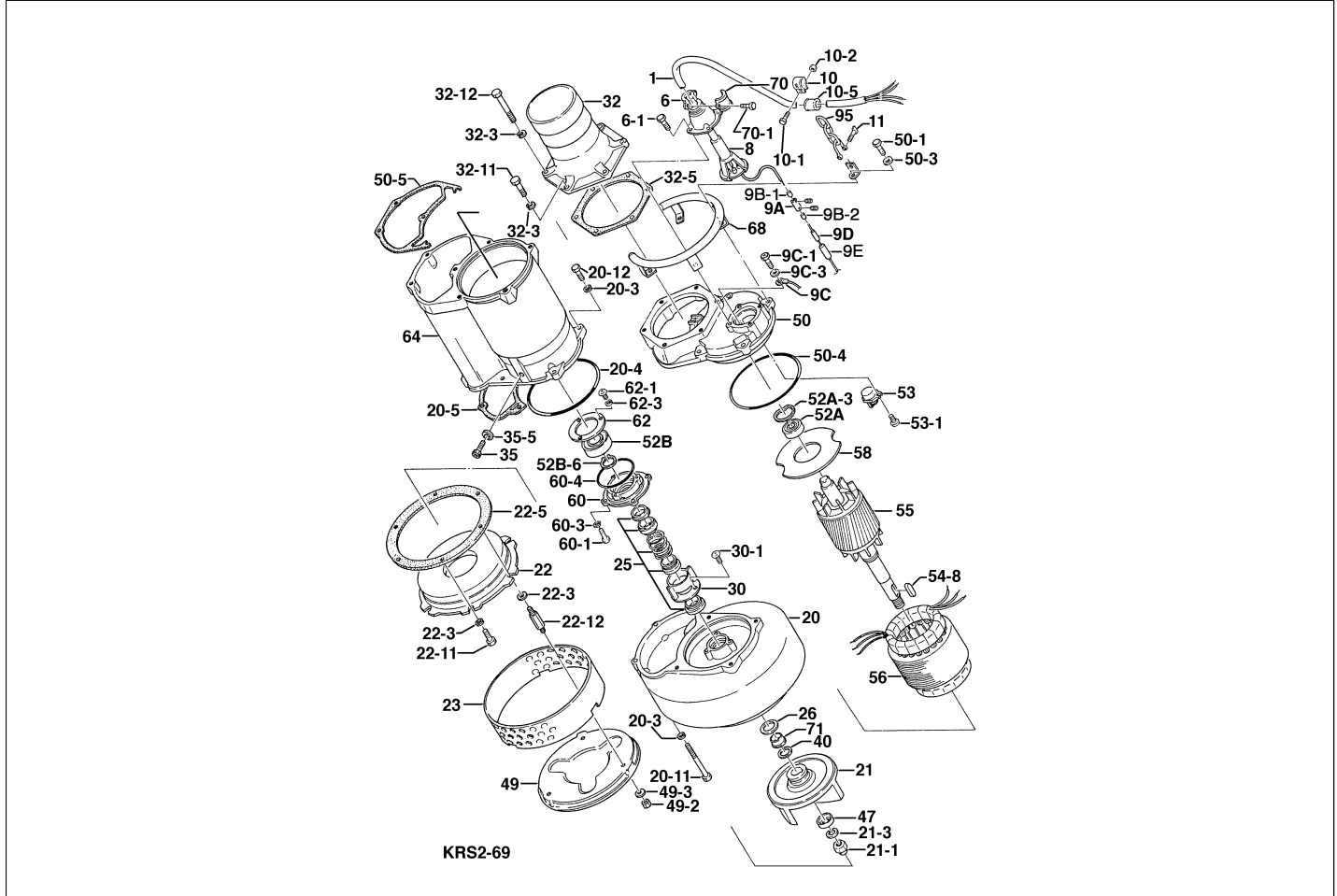


**KRS2-69**

Kontroll-Nr. --

2024-04-03 V.01.02.2023

Pos.no	Item no.	Description	Qty.	UP / EUR
--------	----------	-------------	------	----------



1.1.1	173-437-12	Packing & O-Ring Set	1	
1	001-TEG-11	Cabletyre Cable Set (20m) H07RN-F4Cx4mm <sup>2</sup> without stuffing box	1	
1	M01-TEG-11	Cabletyre Cable Set (20m) NSSHO 4Cx4mm <sup>2</sup>	1	
6	006-127-15	Stuffing Box 380/400/415V-50Hz(EUR,NSU) No.3 FC	1	
6-1	140-055-10	Hex.Bolt M8x25 SUS304	4	
8	008-150-13	Mould Cover 380V-50Hz KR3-12 CR	1	
9A	009-101-12	Terminal(C/W Screw) d12x(d6.6xd6.6)x25I C3604	3	
9B-1	009-123-10	Terminal (EUR,NSU) P-5.5 CU	3	
9B-2	009-123-10	Terminal (EUR,NSU) P-5.5 CU	3	
9C	009-131-11	Terminal 380V-50Hz R-5.5-6 CU	1	
9C-1	143-014-16	Pan Screw M4x8 SWRM	1	
9C-3	142-160-31	Spring Washer M4 SWRM	1	
9D	002-129-15	Heat Shrink Tube (Sold per meter) EVA(d14x1t) (Vm)	1	
9E	002-132-11	Heat Shrink Tube (Sold per meter) A4(d17x0.27t) (Vm)	1	
10	010-120-18	Cable Clip No.2-1 SPC	1	Price on req.
10-1	140-033-12	Hex.Bolt M6x16 SUS304 (EN X5CrNi18-10) Stainless Steel	2	
10-2	141-004-17	Hex. Nut M6 SUS304 SUS304 (EN X5CrNi18-10) Stainless	2	
10-5	010-122-10	Cable Clip Rubber No.2 NBR	1	
11	011-110-11	Shackle 6mm SS	1	
20	020-652-18	Pump Casinq KRS-69 FC	1	
20-11	140-113-17	Hex.Bolt M12x120 SUS304	2	
20-12	144-147-12	Stud. Bolt M12x130 SUS403 (EN X6Cr13) Stainless Steel	4	Price on req.
20-3	142-165-10	Spring Washer M12 SUS304 (EN X5CrNi18-10) Stainless Steel	6	Price on req.
20-4	122-311-11	O-Ring 220xd3.5 NBR	1	
20-5	121-130-11	Packing (Water Way, Low.) KRS-8S NBR	1	
21	021-A05-11	Impeller (50Hz) FCD	1	
21-1	157-010-15	Impeller Nut M30,P3.5(B=41,Hex.Cap Nut) S35C	1	
21-3	142-171-19	Spring Washer M30 SUS304	1	
22	022-380-21	Suction Cover KRS-D6 FC	1	
22-11	140-097-14	Hex.Bolt M12x30 SUS304	3	
22-12	144-122-24	Stud Bolt M12x107(17/25) SUS403 (EN X6Cr13) Stainless Steel	3	
22-3	142-129-25	Plain Washer M12 SPC	6	
22-5	120-105-14	Packing (S.Cover) d291xd348x0.5t PE	1	
23	023-214-13	Strainer D6 SPC	1	
25	025-000-97	Mechanical Seal H-35 (ROHS)(T) SIC	1	
26	026-123-13	Oil Seal TC-406211 NBR	1	
30, 30-1	143-070-23	Pan Screw M5x6 SWRM	5	
30, 30-1	030-156-18	Oil Lifter H-35(A)(T) Resin	1	
30, 30-1	030-150-12	Seal Stopper H-35(A)(T) SPCC	1	
32	032-166-17	Hose Coupling 150mm FC	1	

**KRS2-69**

Kontroll-Nr. --

2024-04-03 V.01.02.2023

Pos.no	Item no.	Description	Qty.	UP / EUR
32-11	140-099-16	Hex.Bolt M12x40 SUS304	4	
32-12	140-112-16	Hex.Bolt M12x110 SUS304 (EN X5CrNi18-10) Stainless Steel	2	
32-3	142-165-10	Spring Washer M12 SUS304 (EN X5CrNi18-10) Stainless Steel	6	Price on req.
32-5	121-144-18	Packing KRZ8(P.C.236xd190) NBR	1	
35	035-113-18	Oil Plug M12x14 SUS304 (EN X5CrNi18-10) Stainless Steel	1	Price on req.
35-5	121-247-12	Packing d12.3xd18x2t PE	1	
40	040-110-24	Impeller Shim d32.5xd58x0.3t SUS304 (EN X5CrNi18-10) Stainless Steel	1	
47	047-107-16	Impeller Thread Protect.Cover No.6(33) SPC	1	
49	049-136-10	Bottom Plate D6 SPC	1	
49-2	141-007-10	Hex.Nut M12 SUS304	3	
49-3	142-129-25	Plain Washer M12 SPC	3	
50	050-372-14	Motor Bracket FC	1	
50-1	140-101-12	Hex.Bolt M12x50 SUS304 (EN X5CrNi18-10) Stainless Steel	5	
50-3	142-165-10	Spring Washer M12 SUS304 (EN X5CrNi18-10) Stainless Steel	5	Price on req.
50-4	122-250-11	O-Ring 230xd3.8 NBR	1	
50-5	121-200-13	Packing (Water Way, Upp.) KRS-8S(T) NBR	1	
52-A	052-110-18	Bearing 6307ZZC3	1	
52A-3	142-199-13	Wave Washer #6208/6307 SK-5	1	
52B	052-001-09	Bearing 6310ZZC3	1	
53	053-419-13	Motor Protector 400/415V-50HZ KA314-HKAL203 (B.C)	1	
54-8	147-021-18	Impeller Key 8x8x44l Stainless Steel	1	
55	055-585-17	Rotor	1	
56	056-	Stator	1	Price on req.
58	058-120-19	Lead Wire Protection Plate d94xd220x1.6t Resin	1	
60	060-222-19	Bearing Housing FC	1	
60-1	140-055-49	Hex.Bolt M8x25 SWRM	4	
60-3	142-163-34	Spring Washer M8 SWRH	4	
60-4	122-140-17	O-Ring G-145 NBR	1	
62	062-158-19	Bearing Fixing Plate d95xd144x4.5t SPCC	1	
62-1	143-042-13	Pan Screw M6x10 SWRM	3	
62-3	142-162-33	Spring Washer M6 SWRH	3	
64	064-382-17	Motor Frame FC	1	
68	068-159-18	Handle KRS-C6/A6/8S(T) SGP+SPC	1	
70	070-107-18	Cable Clamp FC	1	
70-1	140-035-14	Hex.Bolt M6x20 SUS304 (EN X5CrNi18-10) Stainless	2	
71	071-128-47	Shaft Sleeve KRS-7.5/11KW SUS403 (EN X6Cr13) Stainless Steel	1	
95	095-000-95	Chain 4mm(4L)L=24 SS	1	
	173-437-12	Packing & O-Ring Set	1	
	##oilVG32	ml Turbine Oil ISO VG32	2300	Price on req.
	183-011-17	Impeller Puller A No.6 2" FC	1	