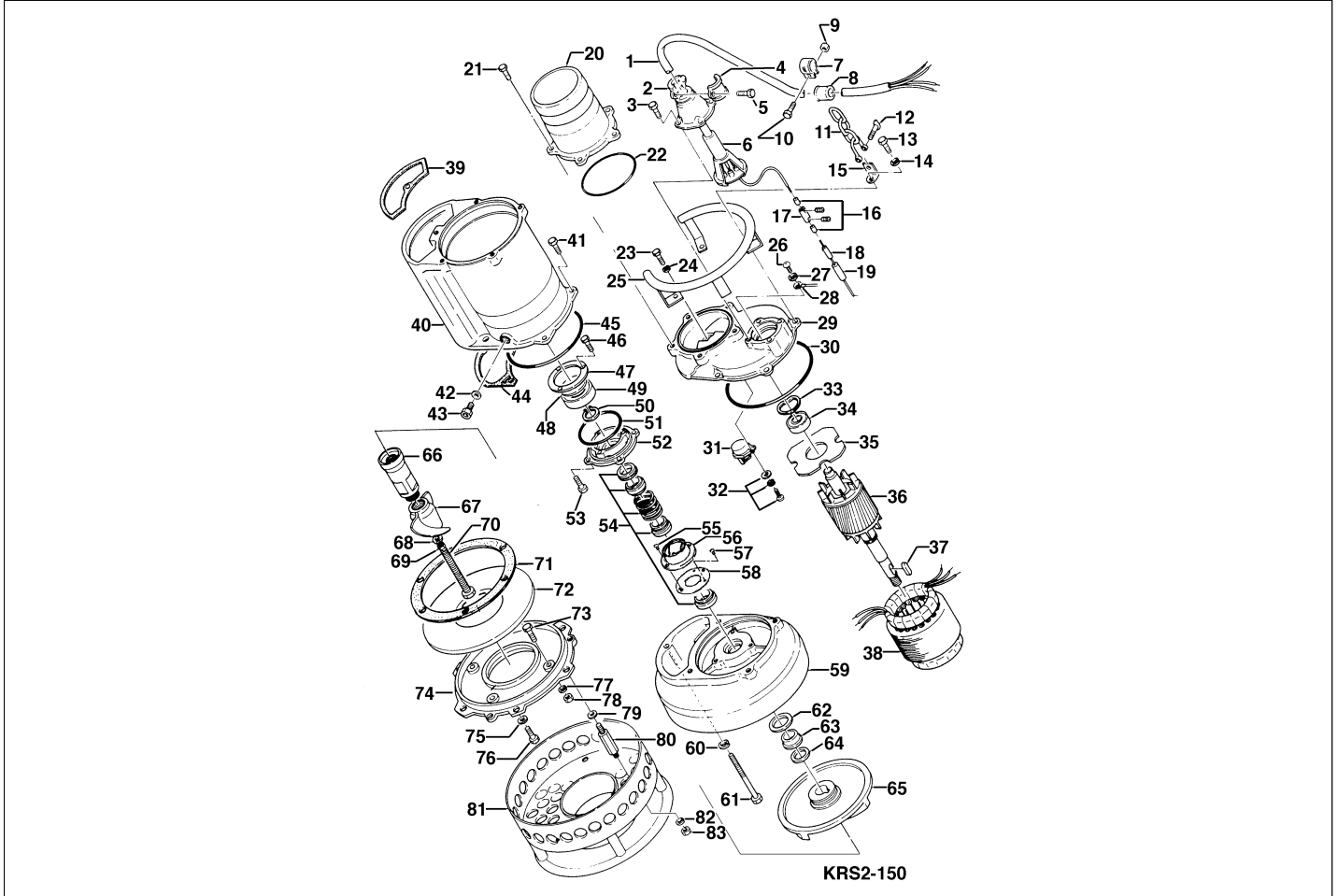


KRS2-150

Kontroll-Nr. --

2024-04-03 V.01.02.2023

Pos.no	Item no.	Description	Qty.	UP / EUR
--------	----------	-------------	------	----------



1.1.1	173-436-11	Packing & O-Ring Set	1	
1	001-TEG-11	Cabletyre Cable Set (20m) H07RN-F4Cx4mm ² without stuffing box	1	
1	M01-TEG-11	Cabletyre Cable Set (20m) NSSHÖU 4Cx4mm ²	1	
2	006-127-15	Stuffing Box 380/400/415V-50Hz(EUR.NSU) No.3 FC	1	
3	140-055-10	Hex.Bolt M8x25 SUS304	4	
4	070-107-18	Cable Clamp FC	1	
5	140-035-14	Hex.Bolt M6x20 SUS304 (EN X5CrNi18-10) Stainless	2	
6	008-150-13	Mould Cover 380V-50Hz KR3-12 CR	1	
7	010-120-18	Cable Clip No.2-1 SPC	1	Price on req.
8	010-122-10	Cable Clip Rubber No.2 NBR	1	
9	141-004-33	Hex.Nut M6 SWRM	1	
10	140-032-37	Hex.Bolt M6x15 SWRM	1	
11	095-000-95	Chain 4mm(4L)L=24 SS	1	
12	011-101-19	Shackle 6mm SS	1	
13	140-104-15	Hex.Bolt M12x65 SUS304 (EN X5CrNi18-10) Stainless Steel	4	
14	142-165-10	Spring Washer M12 SUS304 (EN X5CrNi18-10) Stainless Steel	4	Price on req.
15	070-103-10	L-Shape Fitting KT-55 SPC	1	
16	009-129-16	Terminal E (Small) CU	3	
17	009-101-12	Terminal(C/W Screw) d12x(d6.6xd6.6)x25l C3604	3	
18	002-129-15	Heat Shrink Tube (Sold per meter) EVA(d14x1t) (Vm)	1	
19	002-132-11	Heat Shrink Tube (Sold per meter) A4(d17x0.27t) (Vm)	1	
20	032-137-19	Hose Coupling 150mm(GHV-7.5/11kW) FC	1	
21	140-000-01	Hex.Bolt M10x30(B=14) SUS304 (EN X5CrNi18-10) Stainless Steel	5	
22	122-285-15	O-Ring 155xd3.1 NBR	1	
23	140-100-11	Hex.Bolt M12x45 SUS304 (EN X5CrNi18-10) Stainless Steel	1	Price on req.
24	142-165-10	Spring Washer M12 SUS304 (EN X5CrNi18-10) Stainless Steel	1	Price on req.
25	068-160-12	Handle KRS-D6/B6(T) SGP+SPC	1	
26	143-000-76	Pan Screw M6x10 SWRM	1	Price on req.
27	142-162-33	Spring Washer M6 SWRM	1	
28	009-131-11	Terminal 380V-50Hz R-5.5-6 CU	1	
29	050-365-14	Motor Bracket FC	1	
30	122-250-11	O-Ring 230xd3.8 NBR	1	
31	053-398-15	Motor Protector 415V-50Hz KA314-HLYL00 (B.C)	1	
32	143-125-24	Pan Screw (w/Spring Washer/Plain Washer) M4x14 SWRM	2	
33	142-199-13	Wave Washer #6208/6307 SK-5	1	
34	052-110-18	Bearing 6307ZZC3	1	
35	058-147-12	Lead Wire Protection Plate d100xd204x1.6t Resin	1	
36	055-564-10	Rotor	1	
37	147-021-18	Impeller Key 8x8x44l Stainless Steel	1	
38	056-	Stator	1	Price on req.

KRS2-150

Kontroll-Nr. --

2024-04-03 V.01.02.2023

Pos.no	Item no.	Description	Qty.	UP / EUR
39	121-304-18	Packing (Water Way, Upp.) KRS-7.5/11(T) NBR	1	
40	064-450-10	Motor Frame FC	1	
41	140-100-11	Hex.Bolt M12x45 SUS304 (EN X5CrNi18-10) Stainless Steel	4	Price on req.
42	121-247-12	Packing d12.3xd18x2t PE	1	
43	035-113-18	Oil Plug M12x14 SUS304 (EN X5CrNi18-10) Stainless Steel	1	Price on req.
44	121-129-17	Packing (Water Way, Low.) KRS-7.5/11 NBR	1	
45	122-311-11	O-Ring 220xd3.5 NBR	1	
46	140-029-28	Hex.Bolt M6x10 SWRM	3	Price on req.
47	062-158-19	Bearing Fixing Plate d95xd144x4.5t SPCC	1	
48	061-142-17	Bearing Collar d50xd70x3t SPC	1	
49	052-001-09	Bearing 6310ZZC3	1	
50	146-029-13	Retaining Ring C50 SK-5	1	
51	122-140-17	O-Ring G-145 NBR	1	
52	060-222-19	Bearing Housing FC	1	
53	140-054-48	Hex.Bolt M8x20 SWRM	4	
54	025-000-97	Mechanical Seal H-35 (ROHS)(T) SIC	1	
55	143-070-23	Pan Screw M5x6 SWRM	2	
56	030-156-18	Oil Lifter H-35(A)(T) Resin	1	
57	143-070-23	Pan Screw M5x6 SWRM	3	
58	030-150-12	Seal Stopper H-35(A)(T) SPCC	1	
59	020-382-14	Pump Casing 50Hz FC	1	
60	142-165-10	Spring Washer M12 SUS304 (EN X5CrNi18-10) Stainless Steel	1	Price on req.
61	140-113-17	Hex.Bolt M12x120 SUS304	1	
62	026-123-13	Oil Seal TC-406211 NBR	1	
63	071-128-47	Shaft Sleeve KRS-7.5/11KW SUS403 (EN X6Cr13) Stainless Steel	1	
64	040-110-24	Impeller Shim d32.5xd58x0.3t SUS304 (EN X5CrNi18-10) Stainless Steel	1	
65	021-675-10	Impeller (50Hz) HiCrFC	1	
66	024-126-23	Connection Rod KRS-100 FCMB	1	
67	024-120-14	Stirrer GPN-80 HiCrFC	1	
68	142-130-16	Plain Washer M16 SUS304 (EN X5Cr18-10)	1	
69	141-008-40	Hex.Nut M16(t=10) SUS304 (EN X5CrNi18-10) Stainless Steel	1	
70	140-139-19	Hex.Bolt M16x143(B=19.) SUS304 (EN X5CrNi18-10) Stainless Steel	1	
71	120-105-14	Packing (S.Cover) d291xd348x0.5t PE	1	
72	033-114-13	Suction Plate 50Hz HiCrFC	1	
73	140-001-08	Hex.Bolt M8x35(B=14) SWRM	4	
74	022-467-23	Suction Cover 50Hz FC	1	
75	142-129-25	Plain Washer M12 SPC	3	
76	140-097-14	Hex.Bolt M12x30 SUS304	3	
77	142-163-18	Spring Washer M8 SUS304	4	
78	141-005-18	Hex.Nut M8 SUS304 (EN X5CrNi18-10)	4	
79	142-129-25	Plain Washer M12 SPC	3	
80	144-478-15	Stud Bolt M12x111(25/21) SUS403 (EN-X6Cr13)	3	
81	023-253-14	Strainer Stand 50Hz SPC+SGP	1	
82	142-165-10	Spring Washer M12 SUS304 (EN X5CrNi18-10) Stainless Steel	3	Price on req.
83	141-007-10	Hex.Nut M12 SUS304	3	
	173-436-11	Packing & O-Ring Set	1	
	##oilVG32	ml Turbine Oil ISO VG32	2300	Price on req.
	183-010-16	Impeller Puller A Typ No.5 11/2	2300	