

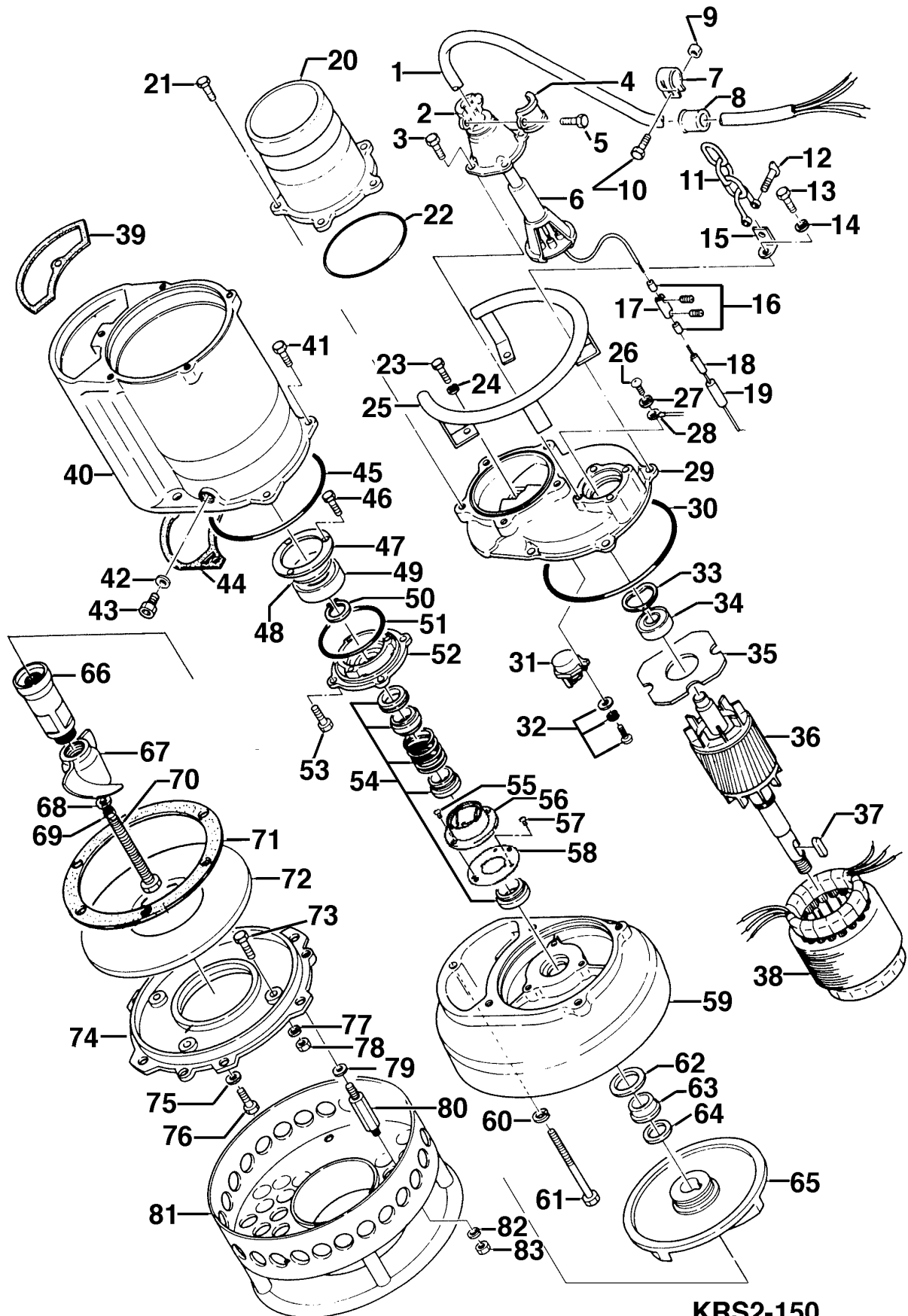
KRS2-150

Kontroll-Nr. --

2019-02-2C V.01.02.2019

Pos.no	Item no.	Description	Quant.	UP
		Dichtungs-Oring-Satz	1	Price on req.
1	001-TEG-11	Cabtyre Cable Set (20m) H07RN-F4Cx4mm ² without stuffing box	1	Price on req.
1	M01-TEG-11	Cabtyre Cable Set (20m) NSSHÖU 4Cx4mm ²	1	Price on req.
2	006-127-15	Stuffing Box 380/400/415V-50Hz(EUR,NSU) No.3 FC	1	Price on req.
3	140-055-10	Hex.Bolt M8x25 SUS304	4	Price on req.
4	070-107-18	Cable Clamp FC	1	Price on req.
5	140-035-14	Hex.Bolt M6x20 SUS304	2	Price on req.
6	008-150-13	Mould Cover 380V-50Hz KR3-12 CR	1	Price on req.
7	010-120-18	Cable Clip No.2-1 SPC	1	Price on req.
8	010-122-10	Cable Clip Rubber No.2 NBR	1	Price on req.
9	141-004-33	Hex.Nut M6 SWRM	1	Price on req.
10	140-032-37	Hex.Bolt M6x15 SWRM	1	Price on req.
11	095-131-18	Chain 4mm(3L) SS	1	Price on req.
12	011-101-19	Shackle 6mm SS	1	Price on req.
13	140-104-15	Hex.Bolt M12x65 SUS304 (EN X5CrNi18-10) Stainless Steel	4	Price on req.
14	142-165-10	Spring Washer M12 SUS304	4	Price on req.
15	070-103-10	L-Shape Fitting KT-55 SPC	1	Price on req.
16	009-129-16	Terminal E (Small) CU	3	Price on req.
17	009-101-12	Terminal(C/W Screw) d12x(d6.6xd6.6)x25l C3604	3	Price on req.
18	002-129-15	Heat Shrink Tube (Sold per meter) EVA(d14x1t) (Vm)	1	Price on req.
19	002-132-11	Heat Shrink Tube (Sold per meter) A4(d17x0.27t) (Vm)	1	Price on req.
20	032-137-19	Hose Coupling 150mm(GHV-7.5/11KW) FC	1	Price on req.
21	140-000-01	Hex.Bolt M10x30(B=14) SUS304 (EN X5CrNi18-10) Stainless Steel	5	Price on req.
22	122-285-15	O-Ring 155xd3.1 NBR	1	Price on req.
23	140-100-11	Hex.Bolt M12x45 SUS304	1	Price on req.
24	142-165-10	Spring Washer M12 SUS304	1	Price on req.
25	068-160-12	Handle KRS-D6/B6(T) SGP+SPC	1	Price on req.
26	143-041-12	Pan Screw M6x8 SWRM	1	Price on req.
27	142-162-33	Spring Washer M6 SWRH	1	Price on req.
28	009-131-11	Terminal 380V-50Hz R-5.5-6 CU	1	Price on req.
29	050-365-14	Motor Bracket FC	1	Price on req.
30	122-250-11	O-Ring 230xd3.8 NBR	1	Price on req.
31	053-398-15	Motor Protector 415V-50Hz KA314-HLYL00 (B.C)	1	Price on req.
32	143-125-24	Pan Screw (w/Spring Washer/Plain Washer) M4x14 SWRM	2	Price on req.
33	142-199-13	Wave Washer #6208/6307 SK-5	1	Price on req.
34	052-110-18	Bearing 6307ZZC3	1	Price on req.
35	058-147-12	Lead Wire Protection Plate d100xd204x1.6t Resin	1	Price on req.
36	055-564-10	Rotor	1	Price on req.
37	147-021-18	Impeller Key 8x8x44l Stainless Steel	1	Price on req.
38	056-	Stator	1	Price on req.
39	121-304-18	Packing (Water Way, Upp.) KRS-7.5/11(T) NBR	1	Price on req.
40	064-450-10	Motor Frame FC	1	Price on req.
41	140-100-11	Hex.Bolt M12x45 SUS304	4	Price on req.
42	121-247-12	Packing d12.3xd18x2t PE	1	Price on req.
43	035-113-18	Oil Plug M12x14 SUS304	1	Price on req.
44	121-129-17	Packing (Water Wav. Low.) KRS-7.5/11 NBR	1	Price on req.
45	122-311-11	O-Ring 220xd3.5 NBR	1	Price on req.
46	140-029-28	Hex.Bolt M6x10 SWRM	3	Price on req.
47	062-158-19	Bearing Fixing Plate d95xd144x4.5t SPCC	1	Price on req.
48	061-142-17	Bearing Collar d50xd70x3t SPC	1	Price on req.
49	052-113-11	Bearing 6310ZZC3	1	Price on req.
50	146-029-13	Retaining Ring C50 SK-5	1	Price on req.
51	122-140-17	O-Ring G-145 NBR	1	Price on req.
52	060-222-19	Bearing Housing FC	1	Price on req.
53	140-054-48	Hex.Bolt M8x20 SWRM	4	Price on req.
54	025-000-96	Mechanical Seal H-35 SiC	1	Price on req.
55	143-070-23	Pan Screw M5x6 SWRM	2	Price on req.
56	030-156-18	Oil Lifter H-35(A)(T) Resin	1	Price on req.
57	143-070-10	Pan Screw M5x6 SWRM	3	Price on req.
58	030-150-12	Seal Stopper H-35(A)(T) SPCC	1	Price on req.
59	020-382-14	Pump Casing 50Hz FC	1	Price on req.
60	142-165-10	Spring Washer M12 SUS304	1	Price on req.
61	140-113-17	Hex.Bolt M12x120 SUS304	1	Price on req.
62	026-123-13	Oil Seal TC-406211 NBR	1	Price on req.
63	071-128-47	Shaft Sleeve KRS-7.5/11KW SUS403 (EN X6Cr13) Stainless Steel	1	Price on req.
64	040-110-24	Impeller Shim d32.5xd58x0.3t SUS304 (EN X5CrNi18-10) Stainless Steel	1	Price on req.
65	021-675-10	Impeller (50Hz) 50Hz HiCrFC	1	Price on req.
66	024-126-23	Connection Rod KRS-100 FCMB	1	Price on req.
67	024-120-14	Stirrer GPN-80 HiCrFC	1	Price on req.
68	142-130-16	Plain Washer M16 SUS304 (EN X5Cr18-10)	1	Price on req.
69	141-008-40	Hex.Nut M16(t=10) SUS304 (EN X5CrNi18-10) Stainless Steel	1	Price on req.
70	140-139-19	Hex.Bolt M16x143(B=19.) SUS304 (EN X5CrNi18-10) Stainless Steel	1	Price on req.
71	120-105-14	Packing (S.Cover) d291xd348x0.5t PE	1	Price on req.
72	033-114-13	Suction Plate 50Hz HiCrFC	1	Price on req.
73	140-001-08	Hex.Bolt M8x35(B=14) SWRM	4	Price on req.
74	022-467-23	Suction Cover 50Hz FC	1	Price on req.
75	142-129-25	Plain Washer M12 SPC	3	Price on req.
76	140-097-14	Hex.Bolt M12x30 SUS304	3	Price on req.
77	142-163-18	Spring Washer M8 SUS304	4	Price on req.
78	141-005-18	Hex.Nut M8 SUS304 (EN X5CrNi18-10)	4	Price on req.
79	142-129-25	Plain Washer M12 SPC	3	Price on req.
80	144-478-15	Stud Bolt M12x111(25/21) SUS403 (EN-X6Cr13)	3	Price on req.
81	023-253-14	Strainer Stand 50Hz SPC+SGP	1	Price on req.

Exploded View KRS2-150



KRS2-150