

KRS-65.5

Kontroll-Nr. --

2019-01-28 V.20 / 1.11.2017

Pos.no	Item no.	Description	Quant.	UP
		Dichtungs-Oring-Satz	1	Price on req.
1	141-004-33	Hex.Nut M6 SWRM	1	Price on req.
2	010-120-18	Cable Clip No.2-1 SPC	1	Price on req.
3	010-121-19	Cable Clip Rubber (EUR.NSU) No.1 NBR	1	Price on req.
4	140-032-37	Hex.Bolt M6x15 SWRM	1	Price on req.
5	095-131-18	Chain 4mm(3L) SS	1	Price on req.
6	011-110-11	Shackle 6mm SS	1	Price on req.
7	140-079-10	Hex.Bolt M10x40 SUS304 (EN X5Cr18-10)	4	Price on req.
8	142-164-19	Spring Washer M10 SUS304	4	Price on req.
9	070-103-10	L-Shape Fitting KT-55 SPC	1	Price on req.
10	001-TEG-02	Cabletyre Cable Set (20m) H07RN-F4Cx2,5mm ² without stuffing box	1	Price on req.
10	M01-TEG-02	Cabletyre Cable Set (20m) NSSHOU 4Cx2,5mm ²	1	Price on req.
11	140-060-18	Hex.Bolt M8x50 SUS304	4	Price on req.
12	006-167-17	Stuffing Box No.1-3 FC	1	Price on req.
13	122-121-12	O-Ring G-50 NBR	1	Price on req.
14	004-168-12	Cable Bush No.2 CR	1	Price on req.
15	008-156-19	Mould Cover No.1-3 ADC	1	Price on req.
16	009-123-10	Terminal (EUR.NSU) P-5.5 CU	8	Price on req.
16A	009-101-12	Terminal(C/W Screw) d12x(d6.6xd6.6)x25l C3604	4	Price on req.
17	002-129-15	Heat Shrink Tube (Sold per meter) EVA(d14x1t) (Vm)	1	Price on req.
17A	002-132-11	Heat Shrink Tube (Sold per meter) A4(d17x0.27t) (Vm)	1	Price on req.
18	032-166-17	Hose Coupling 150mm FC	1	Price on req.
19	140-112-16	Hex.Bolt M12x110 SUS304 (EN X5CrNi18-10) Stainless Steel	2	Price on req.
20	140-098-15	Hex.Bolt M12x35 SUS304	4	Price on req.
21	121-144-18	Packing KRZ8(P.C.236xd190) NBR	1	Price on req.
22	140-079-10	Hex.Bolt M10x40 SUS304 (EN X5Cr18-10)	1	Price on req.
23	142-164-19	Spring Washer M10 SUS304	1	Price on req.
24	142-227-11	Seal Washer W-10 SPC+NBR	1	Price on req.
25	068-200-15	Handle KRS-65.5/85.5(T) SGP+SS	1	Price on req.
26	050-318-12	Motor Bracket FC	1	Price on req.
27	009-116-10	Terminal R-2-4 CU	1	Price on req.
28	143-085-34	Pan Screw (w/Spring Washer) M4x6 C3604 (EN CuZn39Pb3)	1	Price on req.
29	122-410-11	O-Ring 190xd3.8 NBR	1	Price on req.
30	053-222-17	Motor Protector 380/400/415V-50Hz KA314-HMXL00 (H.C)	1	Price on req.
31	143-126-12	Pan Screw (w/Spring Washer/Plain Washer) M4x12 SWRM	2	Price on req.
32	142-197-11	Wave Washer #6305 SK-5	1	Price on req.
33	052-108-13	Bearing 6305ZCC3	1	Price on req.
34	058-155-13	Lead Wire Protection Plate d78xd180x1.6t Bakelite	1	Price on req.
35	055-453-15	Rotor	1	Price on req.
36	147-023-10	Impeller Key 7x7x32L SUS420	1	Price on req.
37		Stator 380V-50Hz (1 Set)	1	Price on req.
37		Stator 400/415V-50Hz (1 Set)	1	Price on req.
38	121-199-18	Packing (Water Wav. Upd.) KRS-65.5/85.5 NBR	1	Price on req.
39	064-381-16	Motor Frame FC	1	Price on req.
40	140-099-16	Hex.Bolt M12x40 SUS304	4	Price on req.
41	142-165-10	Spring Washer M12 SUS304	4	Price on req.
42	121-134-15	Packing (Water Way, Low.) KRJ-8 NBR	1	Price on req.
43	121-247-12	Packing d12.3xd18x2t PE	1	Price on req.
44	035-113-18	Oil Plug M12x14 SUS304	1	Price on req.
45	122-310-10	O-Ring 200xd3.5 NBR	1	Price on req.
46	143-042-13	Pan Screw M6x10 SWRM	3	Price on req.
47	062-116-15	Bearing Fixing Plate d80xd115x3.2t SS	1	Price on req.
48	052-111-19	Bearing 6308ZCC3	1	Price on req.
49	146-025-19	Retaining Ring C40 SK-5	1	Price on req.
50	122-134-18	O-Ring G-115 NBR	1	Price on req.
51	060-272-14	Bearing Housing FC	1	Price on req.
52	140-054-48	Hex.Bolt M8x20 SWRM	4	Price on req.
53	025-001-02	Mechanical Seal H-30T(T) SIC	1	Price on req.
54	143-070-10	Pan Screw M5x6 SWRM	3	Price on req.
55	030-110-23	Oil Ring For H-30/35 SPC	1	Price on req.
56	020-649-12	Pump Casing KRS-65.5 FC	1	Price on req.
57	142-165-10	Spring Washer M12 SUS304	1	Price on req.
58	140-113-17	Hex.Bolt M12x120 SUS304	1	Price on req.
59	026-109-13	Oil Seal TC-355511 NBR	1	Price on req.
60	071-127-46	Shaft Sleeve KRS-3.7/5.5KW SUS403 (EN X6Cr13) Stainless Steel	1	Price on req.
61	040-109-20	Impeller Shim d27.5xd52x0.3t SUS304 (EN X5CrNi18-10) Stainless Steel	1	Price on req.
62	021-A04-61	Impeller (50Hz) 50Hz FCD	1	Price on req.
63	047-106-15	Impeller Thread Protect.Cover No.5(26) SPC	1	Price on req.
64	142-170-18	Spring Washer M24 SUS304 (EN X5CrNi18-10) Stainless Steel	1	Price on req.
65	157-006-18	Impeller Nut M24,P3(B=35,Hex.Cap Nut) S35C	1	Price on req.
66	120-112-14	Packing d260xd314x0.5t PE	1	Price on req.
67	022-591-14	Suction Cover (for 65.5) KRS-65.5 FC	3	Price on req.
68	142-129-25	Plain Washer M12 SPC	3	Price on req.
69	144-122-24	Stud Bolt M12x107(17/25) SUS403 (EN X6Cr13) Stainless Steel	3	Price on req.
70	142-165-10	Spring Washer M12 SUS304	3	Price on req.
71	140-097-14	Hex.Bolt M12x30 SUS304	1	Price on req.
72	023-113-11	Strainer B6 SPC	1	Price on req.
73	049-115-26	Bottom Plate B6 SPC	3	Price on req.
74	141-007-10	Hex.Nut M12 SUS304	2	Price on req.
AA	143-070-23	Pan Screw M5x6 SWRM	1	Price on req.
BB	030-142-11	Oil Lifter H-30(A)(T) Resin	3	Price on req.
CC	143-070-10	Pan Screw M5x6 SWRM	1	Price on req.
DD	030-151-13	Seal Stopper H-30(A)(T) SPCC	1	Price on req.

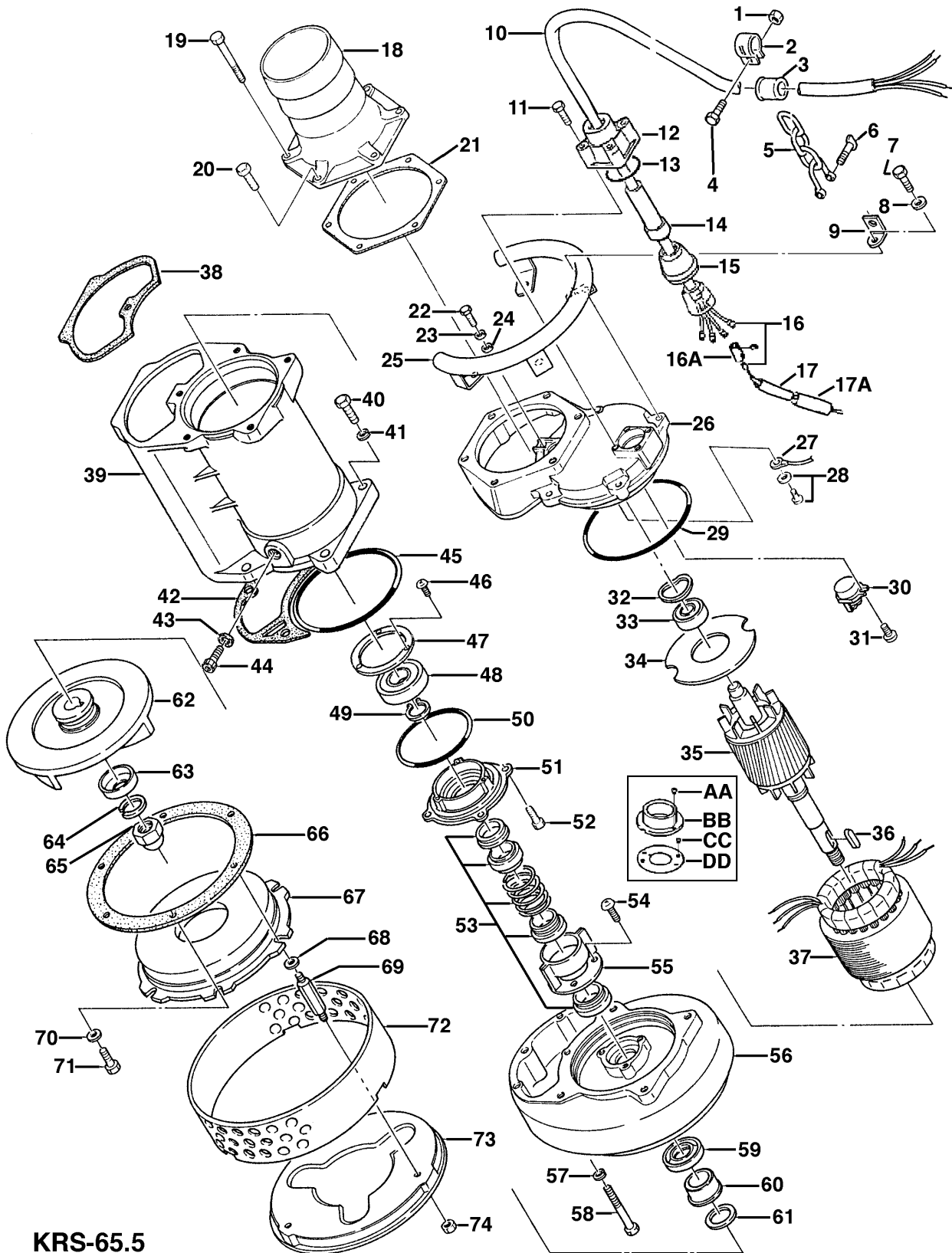
KRS-65.5

Kontroll-Nr. --

2019-01-28 V.20 / 1.11.2017

Pos.no	Item no.	Description	Quant.	UP
	183-010-16	Impeller Puller A Typ No.5 1 1/2	1	Price on req.
	173-136-18	Packing & O-Ring Set	1	Price on req.
	#oilVG32	ml Turbine Oil ISO VG32	1960	Price on req.

Exploded View KRS-65.5



KRS-65.5