

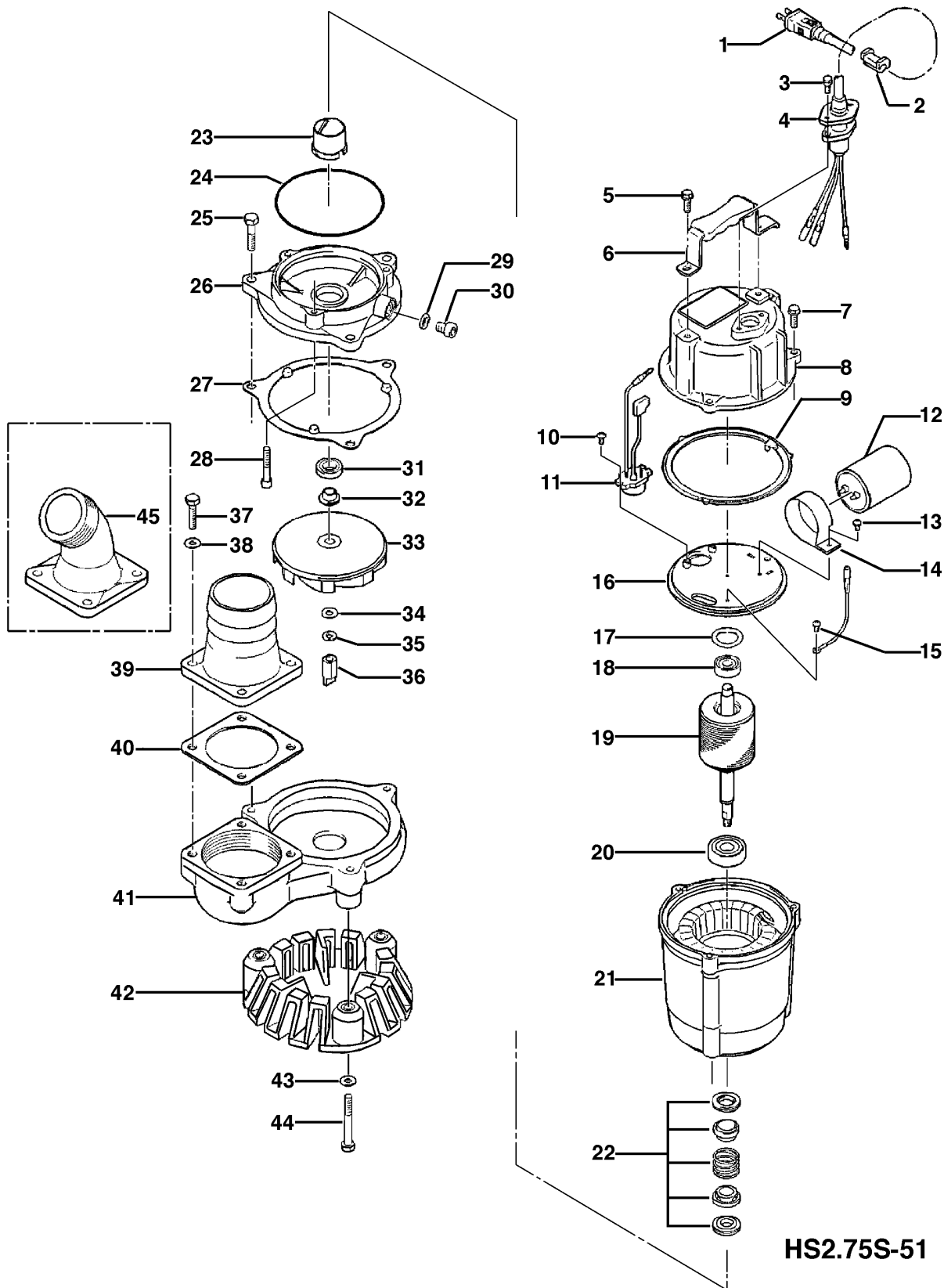
**HS2.75S-51**

Kontroll-Nr. --

2019-01-28 V.20 / 1.11.2017

Pos.no	Item no.	Description	Quant.	UP
		Dichtungs-Oring-Satz	1	Price on req.
1	001-009-48	Cabletyre Cable Set (10m) 220/230/240V-50HZ(EUR) H07R-F3Cx1mm2 LBD(HAR)	1	Price on req.
2	010-134-18	Cable Clip Rubber HS3-4 NBR	1	Price on req.
2	010-163-16	Cable Clip Rubber HS2.4S NBR	1	Price on req.
3	140-427-17	Hex.Bolt (w/Plain Washer) M5x15 SUS304 (EN X5CrNi18-10)	2	Price on req.
4	003-190-10	Gland SUS316 (EN X5Cr-Ni-Mo17-12-2)	1	Price on req.
5	140-032-37	Hex.Bolt M6x15 SWRM	2	Price on req.
6	068-259-19	Handle HS-Series	1	Price on req.
7	140-396-16	Hex.Bolt (w/Plain Washer) M6x20 SUS304 (EN X5CrNi18-10) Stainless Steel	3	Price on req.
8	051-000-21	Motor Head Cover ADC	1	Price on req.
9	121-000-72	Packing d121xd140x2.8t NBR	1	Price on req.
10	143-127-13	Pan Screw (w/Spring Washer/Plain Washer) M4x8 SWRM	2	Price on req.
11	053-001-35	Motor Protector 220/230/240V-50HZ KA142-BPVL25F (T.C)	1	Price on req.
12	076-000-37	Capacitor 220/230/240V-50HZ 20MF-440VAC(d45x85L)	1	Price on req.
13	143-086-22	Pan Screw (w/Spring Washer) M4x8 SWRM	1	Price on req.
14	127-000-35	Capacitor Fixing Plate 220/230/240V-50HZ d45	1	Price on req.
15	140-000-44	Hex.Bolt M4x8 SWRM	1	Price on req.
16	050-000-48	Motor Bracket SECD	1	Price on req.
17	142-192-16	Wave Washer 6201(D=32,t=0.4) SK5	1	Price on req.
18	052-100-15	Bearing 6201ZZC3	1	Price on req.
19	055-001-23	Rotor w/Bearing	1	Price on req.
20	052-152-12	Bearing 6302ZZC3	1	Price on req.
21	056-004-12	Stator 220/230/240V-50HZ w/Frame	1	Price on req.
22	025-000-81	Mechanical Seal W-14VCA SiC	1	Price on req.
23	030-000-09	Oil Lifter W-14VL Resin	1	Price on req.
24	122-133-17	O-Ring G-110 NBR	1	Price on req.
25	140-056-37	Hex.Bolt M8x30 SWRM	3	Price on req.
26	029-000-74	Oil Casing HS3.75S/HS2.75S FCD	1	Price on req.
27	121-000-74	Packing HS3.75S/HS2.75S NR	1	Price on req.
28	140-256-26	Hex. Socket Cap Bolt M6x35 SCM	3	Price on req.
29	121-246-11	Packing (Oil Plug) d10.3xd16x2t PE	1	Price on req.
30	035-124-12	Oil Plug M10x15 SUS304 (EN X5CrNi18-10)	1	Price on req.
31	122-441-11	V-Ring VR-14 NBR	1	Price on req.
32	071-292-14	Shaft Sleeve LB3-250/480 SUS304 (EN X5CrNi18-10) Stainless Steel	1	Price on req.
33	021-007-54	Impeller (50HZ) HSZ2.75S-51 Urethane Rubber	1	Price on req.
33	021-007-55	Impeller (60HZ) HSZ2.75S-61 Urethane Rubber	1	Price on req.
34	142-127-10	Plain Washer M8 SUS304 (EN X5CrNi18-10) Stainless Steel	1	Price on req.
35	142-163-21	Spring Washer M8 SUS316 (DIN 1.4401) Stainless Steel	1	Price on req.
36	024-174-13	Stirrer HS2.4(S)(M8) Sintered Alloy	1	Price on req.
37	140-076-33	Hex.Bolt M10x30 SWRM	4	Price on req.
38	142-128-11	Plain Washer M10 Kaltgewalztes Blech	4	Price on req.
39	032-111-17	Hose Coupling 50mm(15H) ADC	1	Price on req.
39	032-000-37	Hose Coupling 220/230/240V-50HZ(EUR) BSPT-2 FC	1	Price on req.
40	121-181-17	Packing KT-15 NBR	1	Price on req.
41	020-001-57	Pump Casing HS3.75S/HS2.75S FCD	1	Price on req.
42	023-000-77	Strainer Stand HS3.75S PVC	1	Price on req.
43	142-127-23	Plain Washer M8 SPC	3	Price on req.
44	140-057-38	Hex.Bolt M8x35 SWRM	3	Price on req.
45	032-000-37	Hose Coupling 220/230/240V-50HZ(EUR) BSPT-2 FC	1	Price on req.
	173-001-31	Packing & O-Ring Set	1	Price on req.
	##oilVG32	ml Turbine Oil ISO VG32	160	Price on req.

# Exploded View HS2.75S-51



HS2.75S-51