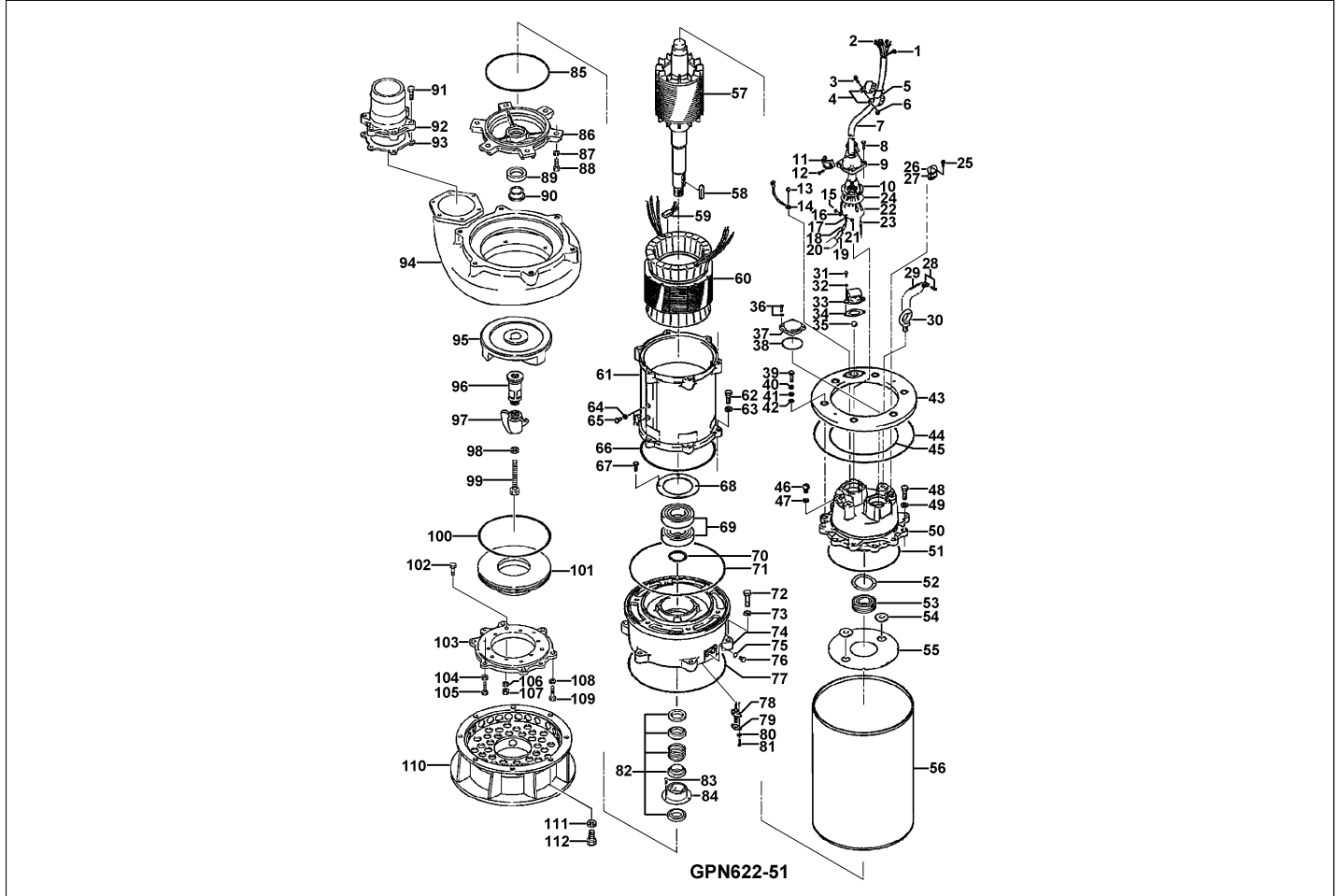


GPN622-51

Kontroll-Nr. --

2024-04-03 V.01.02.2023

Pos.no	Item no.	Description	Qty.	UP / EUR
--------	----------	-------------	------	----------



GPN622-51

1.1.1	173-003-45	Packing & O-Ring Set	1	
1	009-116-10	Terminal R2-4	3	
2	009-106-17	Terminal(EUR.NSU) R-8-6 CU	4	
3	140-035-14	Hex.Bolt M6x20 SUS304 (EN X5CrNi18-10) Stainless	3	
4	010-101-16	Cable Clip No.3 SPC	2	
5	010-128-19	Cable Clip Rubber 75x80x2t NBR	1	
6	141-004-17	Hex. Nut M6 SUS304 SUS304 (EN X5CrNi18-10) Stainless	3	
7	M01-TEG-41	Cabletyre Cable Set (20m) (N)SSHÖU 4x10+3x1,5ST (w/o St.Box) GPN 22kW	1	
8	140-488-16	Hex.Bolt (w/Spring Washer) M8x30 SUS304 (EN X5Cr18-10)	4	
9	006-127-15	Stuffing Box 380/400/415V-50Hz(EUR.NSU) No.3 FC	1	
10	008-148-18	Mould Cover KR3-10 CR	1	
11	070-107-18	Cable Clamp FC	1	
12	140-035-14	Hex.Bolt M6x20 SUS304 (EN X5CrNi18-10) Stainless	2	
13	143-041-12	Pan Screw M6x8 SWRM	1	
14	009-106-17	Terminal(EUR.NSU) R-8-6 CU	2	
	009-	Earth Terminal	1	Price on req.
15	141-004-59	Hex.Nut M6 SWRM	4	
16	009-106-17	Terminal(EUR.NSU) R-8-6 CU	4	
17	009-107-18	Terminal R-14-6 CU	6	
18	002-000-18	Heat Shrink Tube (Sold per meter) W3F2(3/4IN) (V/m)	1	Price on req.
19	002-164-12	Heat Shrink Tube (Sold per meter)A4(d13x0.3t)(JPY /m)	1	
20	200-000-23	Electrical tape(30M) 540S(0.18T-30Wx30M)	1	Price on req.
21	140-029-28	Hex.Bolt M6x10 SWRM	4	Price on req.
22	009-114-18	Connector PC-4020M	3	
23	009-115-19	Connector PC-4020F	3	
24	007-105-10	Gasket No. 3	1	Price on req.
25	003-175-19	Blind Cover LB SUS304 (EN X5CrNi18-10) Stainless Steel	1	
26	121-000-01	Packing (Blind Cover) LB NBR	1	
27	011-101-19	Shackle 6mm SS	1	
28	095-132-19	Chain 4mm SS	1	
29	072-125-47	Eye Bolt M20 SS	2	
30	140-052-17	Hex.Bolt M8x16 SUS304	2	
	142-	Washer	1	Price on req.
31	142-163-18	Spring Washer M8 SUS304	2	
32	046-000-05	Air Release Valve GSZ/NKZ/B SPCC	1	
33	121-151-18	Packing (Air Release Valve) P.C.80xd50 CR	1	
34	203-058-11	Ball d28 SS	1	
35	140-488-16	Hex.Bolt (w/Spring Washer) M8x30 SUS304 (EN X5Cr18-10)	4	
36	214-000-03	Blind Cover 22-4BG3 FC	1	
37	122-128-19	O-Ring G-85(84.4xd3.1) NBR	1	

**GPN622-51**

Kontroll-Nr. --

2024-04-03 V.01.02.2023

Pos.no	Item no.	Description	Qty.	UP / EUR
38	140-102-13	Hex.Bolt M12x55 SUS304	6	
39	142-165-10	Spring Washer M12 SUS304 (EN X5CrNi18-10) Stainless Steel	6	Price on req.
40	142-000-47	Washer M12(d12.5xd25.5x5t) SUS304 (EN X5Cr18-10)	6	
41	121-513-12	Seal Packing (Fixing Plate Bolt) d11.5xd21x4t CR	6	
42	217-000-22	Fixing Plate DL-30C FC	1	
43	122-256-17	O-Ring 390xd5.7 NBR	1	
44	122-158-18	O-Ring G-270(269.3xd5.7) NBR	1	
45	035-113-18	Oil Plug M12x14 SUS304 (EN X5CrNi18-10) Stainless Steel	1	Price on req.
46	121-247-12	Packing d12.3xd18x2t PE	1	
47	140-100-11	Hex.Bolt M12x45 SUS304 (EN X5CrNi18-10) Stainless Steel	6	Price on req.
48	142-165-10	Spring Washer M12 SUS304 (EN X5CrNi18-10) Stainless Steel	6	Price on req.
49	050-000-73	Motor Bracket FC	1	
50	122-160-13	O-Ring (M.Bracket/M.Frame) G-290(289.3xd5.7) NBR	1	
51	142-000-70	Wave Washer d83xd99x0.9t SK5	1	
52	052-000-27	Bearing (w/O-ring) AC-6309ZZC3	1	
53	016-000-04	Lead Wire Protection Bush d21xd52x11t SBR	2	
54	058-000-21	Lead Wire Protection Plate d114xd290x3t SPCC	1	
55	065-000-50	Outer Cover DL-30C,474L SGP	1	
56	055-	Rotor	1	Price on req.
57	147-011-15	Impeller Key12x8x40l EN X30Cr13	1	
58	053-001-67	Motor Protector YS11A135A-D20 (H)	3	
59	056-	Stator	1	Price on req.
60	064-000-96	Motor Frame FC	1	
61	140-102-13	Hex.Bolt M12x55 SUS304	6	
62	142-165-10	Spring Washer M12 SUS304 (EN X5CrNi18-10) Stainless Steel	6	Price on req.
63	142-427-13	Seal Washer WD-12 SPC+NBR	2	
64	140-000-69	Hex.Bolt M12x25 SS	2	
65	122-160-13	O-Ring (M.Bracket/M.Frame) G-290(289.3xd5.7) NBR	1	
66	140-000-68	Hex.Bolt M8x20 SS	4	
67	062-000-16	Bearing Fixing Plate 6312(d118xd170x4.5t) SS	1	
68	052-143-10	Bearing 6312ZZD2C3	1	
69	146-034-11	Retaining RingC60 SK5	1	
70	122-256-17	O-Ring 390xd5.7 NBR	1	
71	140-129-16	Hex.Bolt M16x65 SUS304 (EN X5CrNi18-10) Stainless Steel	6	
72	142-166-11	Spring Washer M16 SUS304	6	
73	060-001-83	Bearing Housing GPN622-51/61 FC	1	
74	122-259-10	O-Ring 12xd3 NBR	2	
75	035-102-30	Oil Plug M12x16(B=21) SUS304	2	
76	122-256-17	O-Ring 390xd5.7 NBR	1	
77	090-122-11	Leakage Sensor(Electrode) d9x43L SUS	1	
78	003-151-19	Gland(for Leak Sensor) SPC	1	
79	142-161-32	Spring Washer M5 SWRH	2	Price on req.
80	140-000-67	Hex.Bolt M5x20 SS	2	Price on req.
81	143-028-13	Pan Screw M5x10 SWRM	1	
82	025-001-15	Mechanical Seal H-50X SIC	3	
83	030-133-19	Oil Lifter H-50(T) SPCC	1	
84	122-261-15	O-Ring 255xd3.8 NBR	1	
85	029-000-94	Oil Casing GPN422 FC	1	
86	142-165-10	Spring Washer M12 SUS304 (EN X5CrNi18-10) Stainless Steel	6	Price on req.
87	140-098-15	Hex.Bolt M12x35 SUS304	6	
88	026-115-12	Oil Seal TC-608212 NBR	1	
89	071-000-61	Shaft Sleeve GPN622-51/61 SUS403 (EN-X6Cr13)	1	
90	140-101-12	Hex.Bolt M12x50 SUS304 (EN X5CrNi18-10) Stainless Steel	6	
91	032-000-65	Hose Coupling 150mm(NKZ) FC	1	Price on req.
92	121-184-10	Packing NKZ-6 NBR	1	
93	020-003-18	Pump Casing GPN622-51/61 FC	1	
94	040-123-17	Impeller Shim d45.2xd59x0.3t SUS304 (EN X5CrNi18-10) Stainless Steel	1	
95	021-009-78	Impeller (50Hz) GPN622-51 HiCrFC	1	
96	024-000-05	Connection Rod GPN622-51/61 FCMB	1	
97	024-120-14	Stirrer GPN-80 HiCrFC	1	
98	142-130-29	Plain Washer M16 SPC	1	
99	140-140-13	Hex.Bolt M16x150 SUS304 (EN X5CrNi18-10)	1	
100	122-270-17	O-Ring 350xd5.7 NBR	1	
101	033-000-03	Suction Plate GPN622-51/61 HiCrFC	1	
102	140-058-68	Hex.Bolt M8x40(B=14) SWRM	3	
103	022-001-85	Suction Cover GPN622-51/61 FC	1	
104	141-005-18	Hex.Nut M8 SUS304 (EN X5CrNi18-10)	3	
105	140-058-42	Hex.Bolt M8x40 SUS304 (EN X5CrNi18-10) Stainless Steel	3	
106	142-163-18	Spring Washer M8 SUS304	3	
107	141-005-18	Hex.Nut M8 SUS304 (EN X5CrNi18-10)	3	
108	142-165-10	Spring Washer M12 SUS304 (EN X5CrNi18-10) Stainless Steel	6	Price on req.
109	140-098-15	Hex.Bolt M12x35 SUS304	6	
110	023-001-83	Strainer Stand GPN622-51/61 SGP+SPC	1	
111	142-166-11	Spring Washer M16 SUS304	8	
112	140-124-11	Hex.Bolt M16x40 SUS304 (EN X5Cr18-10)	8	
	173-003-45	Packing & O-Ring Set	1	
	##oilVG32	ml Turbine Oil ISO VG32	3600	Price on req.