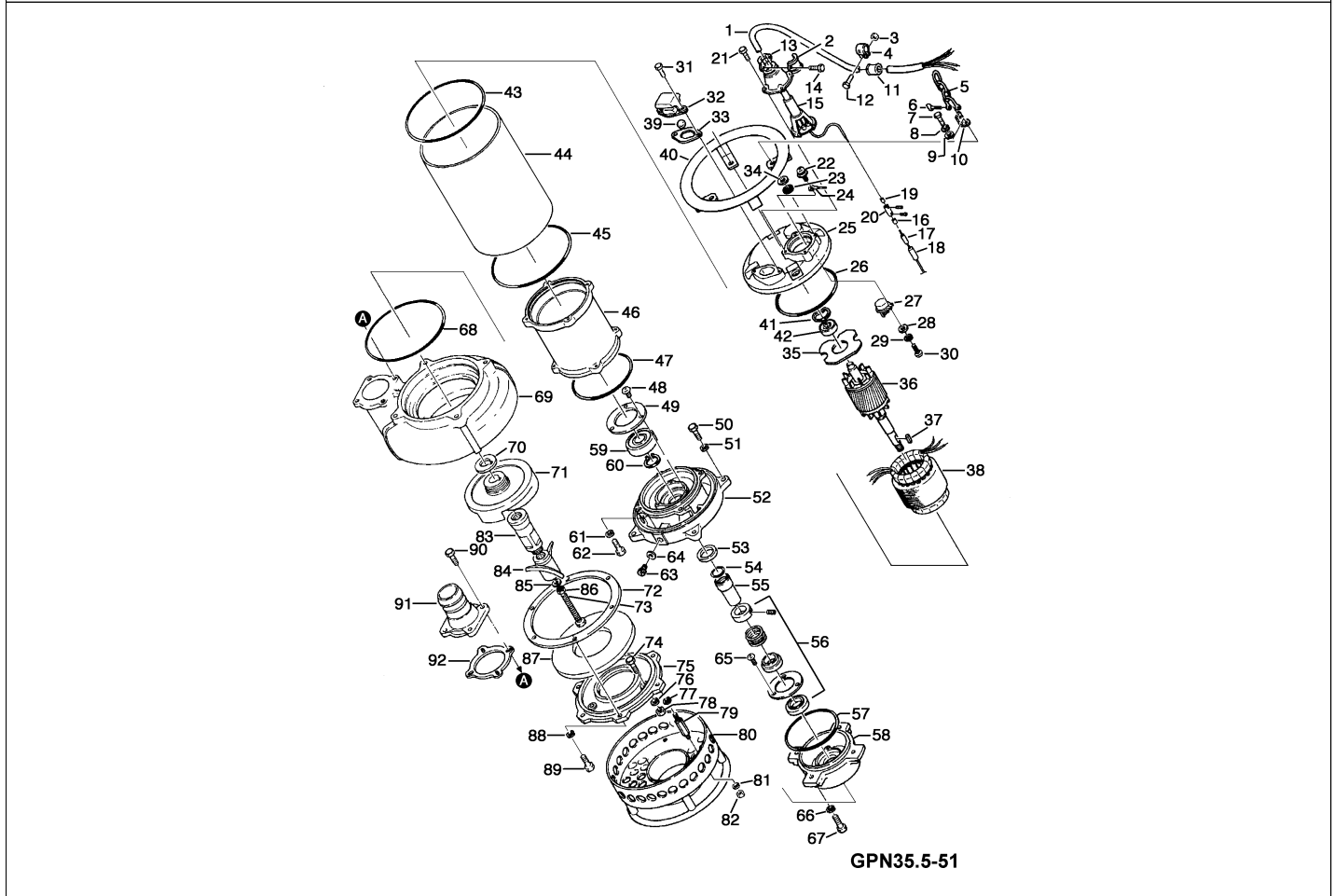


GPN35.5-51

Kontroll-Nr. --

2024-04-03 V.01.02.2023

Pos.no	Item no.	Description	Qty.	UP / EUR
--------	----------	-------------	------	----------



1.1.1	173-443-11	Packing & O-Ring Set	1	
1	001-TEG-09	Cabletyre Cable Set (20m) H07RN-F4Cx2,5mm ² without stuffing box	1	
1	M01-TEG-09	Cabletyre Cable Set (20m) NSSHÖU 4Cx2,5mm ²	1	
2	070-107-18	Cable Clamp FC	1	
3	141-004-17	Hex. Nut M6 SUS304 SUS304 (EN X5CrNi18-10) Stainless	1	
4	010-120-18	Cable Clip No.2-1 SPC	1	Price on req.
5	095-000-95	Chain 4mm(4L)L=24 SS	1	
6	011-110-11	Shackle 6mm SS	1	
7	140-081-15	Hex.Bolt M10x50 SUS304 (EN X5CrNi18-10) Stainless Steel	4	
8	142-164-19	Spring Washer M10 SUS304	4	
9	142-128-11	Plain Washer M10 Kaltgewalztes Blech	1	
10	070-103-10	L-Shape Fitting KT-55 SPC	1	
11	010-121-19	Cable Clip Rubber (EUR.NSU) No.1 NBR	1	
12	140-032-11	Hex.Bolt M6x15 SUS304 (EN X5CrNi18-10) Stainless Steel	1	
13	006-126-14	Stuffing Box No.2 FC	1	
14	140-035-27	Hex.Bolt M6x20 SUS304 (EN X5CrNi18-10) Stainless Steel	2	
15	008-137-14	Mould Cover KR2-2 CR	1	
16	009-123-10	Terminal (EUR,NSU) P-5.5 CU	3	
17	002-129-15	Heat Shrink Tube (Sold per meter) EVA(d14x1t) (V/m)	1	
18	002-132-11	Heat Shrink Tube (Sold per meter) A4(d17x0.27t) (V/m)	1	
19	009-123-10	Terminal (EUR,NSU) P-5.5 CU	3	
20	009-101-12	Terminal(C/W Screw) d12x(d6.6xd6.6)x25l C3604	3	
21	140-055-10	Hex.Bolt M8x25 SUS304	4	
22	143-085-34	Pan Screw (w/Spring Washer) M4x6 C3604 (EN CuZn39Pb3)	1	
23	121-343-19	Packing d9.5xd16x5t NBR	4	
24	009-122-19	Terminal R-3.5-4 CU	1	
25	050-367-16	Motor Bracket FC	1	
26	122-410-11	O-Ring 190xd3.8 NBR	1	
27	053-222-17	Motor Protector 380/400/415V-50HZ KA314-HMXL00 (H.C)	1	
28	142-124-20	Plain Washer M4 SPC	2	
29	142-160-31	Spring Washer M4 SWRH	2	
30	143-016-18	Pan Screw M4x12 SWRM	2	
31	140-052-17	Hex.Bolt M8x16 SUS304	2	
32	046-000-05	Air Release Valve GSZ/NKZ/B SPCC	1	
33	121-151-18	Packing (Air Release Valve) P.C.80xd50 CR	1	
34	142-128-11	Plain Washer M10 Kaltgewalztes Blech	4	
35	058-155-13	Lead Wire Protection Plate d78xd180x1.6t Bakelite	1	
36	055-568-14	Rotor	1	
37	147-024-11	Impeller Key 8x8x38L SUS420 (EN X20Cr13)	1	
38	056-000-21	Stator 380/400/415-50HZ	1	

GPN35.5-51

Kontroll-Nr. --

2024-04-03 V.01.02.2023

Pos.no	Item no.	Description	Qty.	UP / EUR
39	203-017-18	Ball d28 NBR	1	
40	068-236-10	Handle NKZ3-5.5KW SGP+SPC	1	
41	142-197-11	Wave Washer #6305 SK-5	1	
42	052-108-13	Bearing 6305ZZC3	1	
43	122-156-16	O-Ring G-250(249.3xd5.7) NBR	1	
44	065-158-18	Outer Cover NKZ2-5.5KW SS	1	
45	122-156-16	O-Ring G-250(249.3xd5.7) NBR	1	
46	064-441-18	Motor Frame FC	1	
47	122-410-11	O-Ring 190xd3.8 NBR	1	
48	143-043-14	Pan Screw M6x12 SWRM	3	
49	062-116-15	Bearing Fixing Plate d80xd115x3.2t SS	1	
50	140-099-16	Hex.Bolt M12x40 SUS304	4	
51	142-165-10	Spring Washer M12 SUS304 (EN X5CrNi18-10) Stainless Steel	4	Price on req.
52	060-356-13	Bearing Housing FC	4	
53	026-155-14	Oil Seal TC-45629 NBR	1	
54	122-118-16	O-Ring G-35 NBR	1	
55	071-133-29	Shaft Sleeve GPN2-80 SUS304 (EN X5CrNi18-10) Stainless Steel	1	
56	025-001-26	Mechanical Seal NH-40 SiC	1	
57	122-330-16	O-Ring 155xd3.8 NBR	1	
58	029-194-27	Oil Casing GPN2-80 FC	1	
59	052-001-07	Bearing 6308ZZC3	1	
60	146-025-19	Retaining Ring C40 SK-5	1	
61	142-164-19	Spring Washer M10 SUS304	4	
62	140-079-10	Hex.Bolt M10x40 SUS304 (EN X5Cr18-10)	4	
63	035-113-18	Oil Plug M12x14 SUS304 (EN X5CrNi18-10) Stainless Steel	1	Price on req.
64	121-247-12	Packing d12.3xd18x2t PE	1	
65	143-070-23	Pan Screw M5x6 SWRM	3	
66	142-164-19	Spring Washer M10 SUS304	4	
67	140-000-01	Hex.Bolt M10x30(B=14) SUS304 (EN X5CrNi18-10) Stainless Steel	4	
68	122-299-12	O-Ring (Seal Housing/P. Casing) 260xd3.8 NBR	1	
69	020-542-14	Pump Casing GPN2-80 FC	1	
70	040-122-16	Impeller Shim d35.2xd45.2x0.3t SUS304	1	
71	021-574-18	Impeller (50Hz) HiCrFC	1	
72	120-112-14	Packing d260xd314x0.5t PE	1	
73	140-139-19	Hex.Bolt M16x143(B=19.) SUS304 (EN X5CrNi18-10) Stainless Steel	1	
74	140-001-08	Hex.Bolt M8x35(B=14) SWRM	3	
75	022-420-24	Suction Cover FC	1	
76	142-210-11	Plain Washer d8.6xd13.4x1t SUS304 (EN X5CrNi18-10) Stainless Steel	3	
77	142-129-25	Plain Washer M12 SPC	3	
78	141-005-18	Hex.Nut M8 SUS304 (EN X5CrNi18-10)	3	
79	144-478-15	Stud Bolt M12x111(25/21) SUS403 (EN-X6Cr13)	3	
80	023-241-19	Strainer Stand SPC+SGP	1	
81	142-165-10	Spring Washer M12 SUS304 (EN X5CrNi18-10) Stainless Steel	3	Price on req.
82	141-007-10	Hex.Nut M12 SUS304	3	
83	024-131-18	Connection Rod GPN2-80 FCMB	1	
84	024-120-14	Stirrer GPN-80 HiCrFC	1	
85	142-130-16	Plain Washer M16 SUS304 (EN X5Cr18-10)	1	
86	141-008-40	Hex.Nut M16(t=10) SUS304 (EN X5CrNi18-10) Stainless Steel	1	
87	033-110-19	Wear Plate 60Hz HiCrFC	1	
88	142-129-25	Plain Washer M12 SPC	3	
89	140-097-14	Hex.Bolt M12x30 SUS304	3	
90	140-000-01	Hex.Bolt M10x30(B=14) SUS304 (EN X5CrNi18-10) Stainless Steel	4	
91	032-119-28	Hose Coupling 80mm(D3/B3) FC	1	
91	032-437-12	Hose Coupling (for EUR)KTV(BSPT-3) FC	1	
92	121-141-15	Packing KRB-3/4 Type NR	1	
	173-443-11	Packing & O-Ring Set	1	
	##oilVG32	ml Turbine Oil ISO VG32	1200	Price on req.