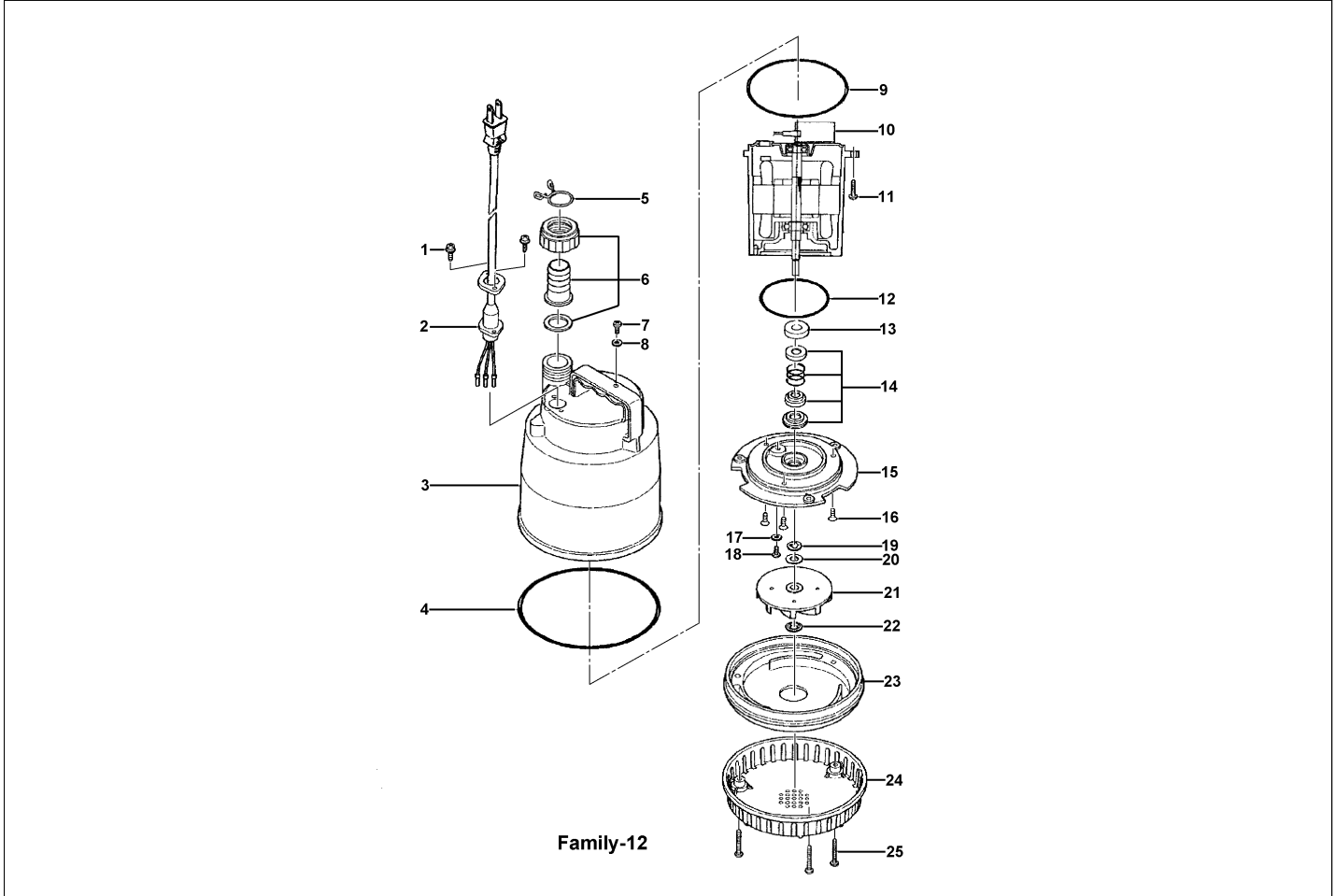


**Family-12**

Kontroll-Nr. --

2024-04-03 V.01.02.2023

Pos.no	Item no.	Description	Qty.	UP / EUR
--------	----------	-------------	------	----------



1.1.1	173-562-17	Packing & O-Ring Set	1	
1	143-096-12	Tapping Screw (w/Plain Washer) M5x20 SUS304 (EN X5CrNi18-10) Stainless Steel	2	
2	001-010-02	Cable Set (10m) 220/230/240V-50Hz VCT3Cx1.25mm2(CEE,3P,w/Float) LB	1	
3	065-000-29	Motor Head Cover FAMILY-12(A) Resin	1	
4	122-140-17	O-Ring G-145 NBR	1	
5	181-110-11	Hose Band 25mm SWC	1	
5	181-111-12	Hose Band 15mm SWC	1	
6	032-000-43	Coupling Set FAMILY-12(A) Resin	1	
7	143-196-13	Bind Screw M5x10 SUS304 (EN X5CrNi18-10) Stainless Steel	1	
8	121-560-14	Packing d5xd10x1t PE	1	
9	122-132-16	O-Ring (S.Box) G-105(104.4xd3.1) NBR	1	
10	076-000-14	Capacitor 220/230/240V-50HZ 2.3MF-550VAC	1	
11	143-184-18	Tapping Screw M5x25 SUS304 (EN X5CrNi18-10) Stainless Steel	3	
12	122-124-15	O-Ring G-65 NBR	1	
13	026-220-11	Oil Seal SC-10257 NBR	1	
14	025-000-75	Mechanical Seal EA560-8 SIC+CCBN	1	
15	028-167-15	Seal Housing FP-10S/15S ADC	1	
16	143-186-10	Fiat Screw M5x12 SUS304 (EN X5CrNi18-10) Stainless Steel	3	
17	121-560-14	Packing d5xd10x1t PE	1	
18	143-185-19	Blind Screw M5x6 SUS304 (EN X5CrNi18-10) Stainless Steel	1	
19	146-090-15	Stop Ring d6 SUS304 (EN X5CrNi18-10) Stainless Steel	1	
20	142-421-17	Plain Washer 8x15.8x0.5t SUS304 (EN X5CrNi18-10) Stainless Steel	1	
21	021-N42-14	Impeller (50HZ) FAMILY-12 Resin	1	
22	141-064-15	Push Nut d8 SUS304 (EN X5CrNi18-10) Stainless Steel	1	
23	020-A87-16	Pump Casing FP-10S/15S Resin	1	
24	023-493-18	Strainer Stand FP-10S/15S Resin	1	
25	143-187-11	Truss Screw M5x30 SUS304 (EN X5CrNi18-10) Stainless Steel	3	
26	173-562-17	Packing & O-Ring Set	1	
	049-FAM-12	Residue Adaptor for FAMILY pump	1	
	##oilVG32	ml Turbine Oil ISO VG32	30	Price on req.