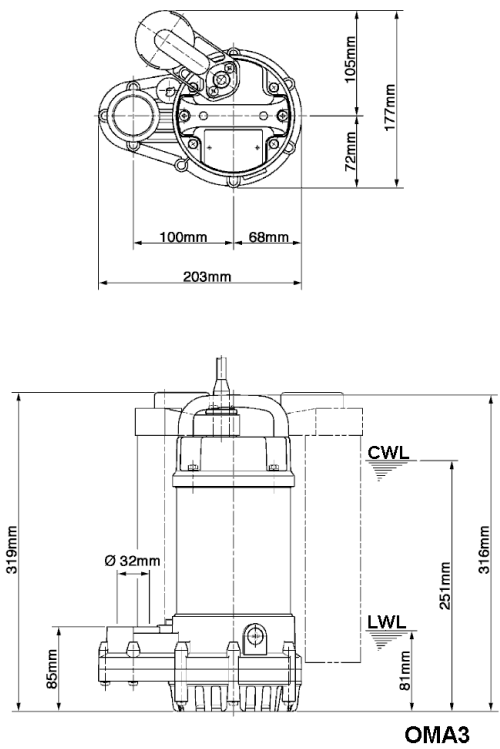
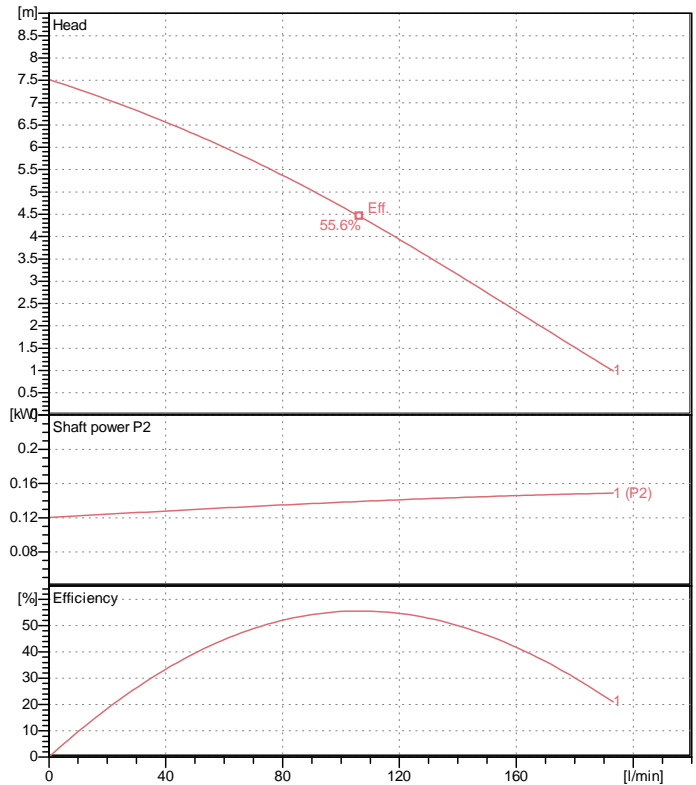


Data sheet OMA3



CWL: Continuous running water level
LWL: Lowest running water level



Specification

Electric submersible pump
Degree of protection IP 68
Depth of submersion max. 10 m
Type of impeller Vortex impeller
Free passage 10 mm
Suitable for:
sewage water, various waste water

Electric motor

Dry-type submersible induction motor
Insulation class E 2Poles 2850 1/min
Starting mode Directly
Rated voltage 110 V 50 Hz 1~
Power uptake 0.30 kW
Rated power 0.15 kW
Rated current 3.1 A
Start current 8.1 A

Cable

10m H07RN-F 3Cx1mm²

Motor Protection

Circle thermal protector
(snap-action bi-metal device)

Shaft seal

Double inside mechanical seal in oil bath
additional lubrication by oil lifting device

Primary seal

Silicon carbide on silicon carbide

Secondary seal

Ceramic on carbon

Bearings

Shielded ball bearings, maintenance-free

Materials

Impeller	Plastic with glass fibers
Upper Pump casing	Plastic with glass fibers
Lower Pump casing	Plastic with glass fibers
Motor Frame	DIN 1.4301 (EN-X5CrNi 18-10)
Shaft	DIN 1.4000 (EN-X6Cr13)

Discharge size

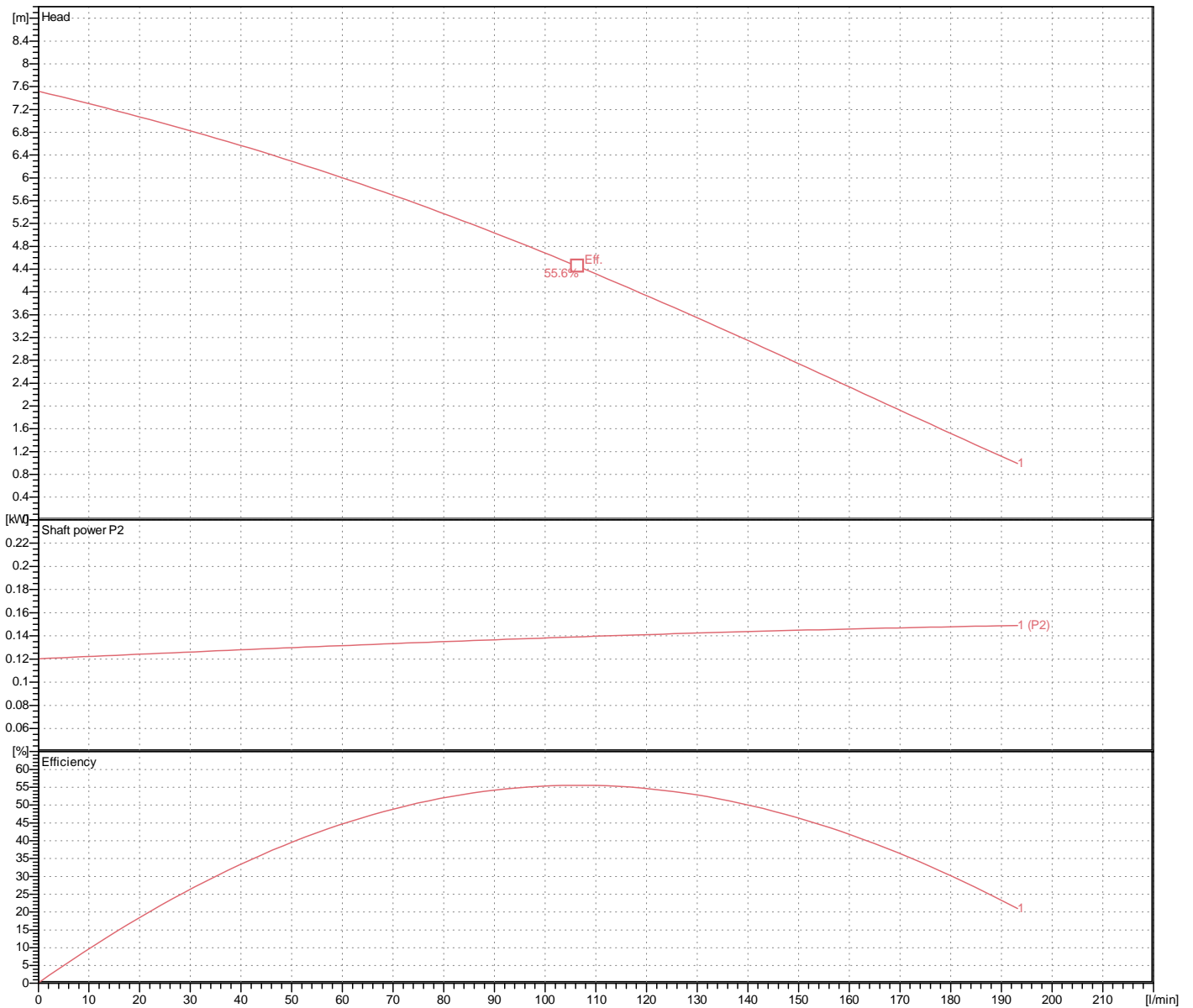
1,25" (32mm) screwed-in mating flange

Weight

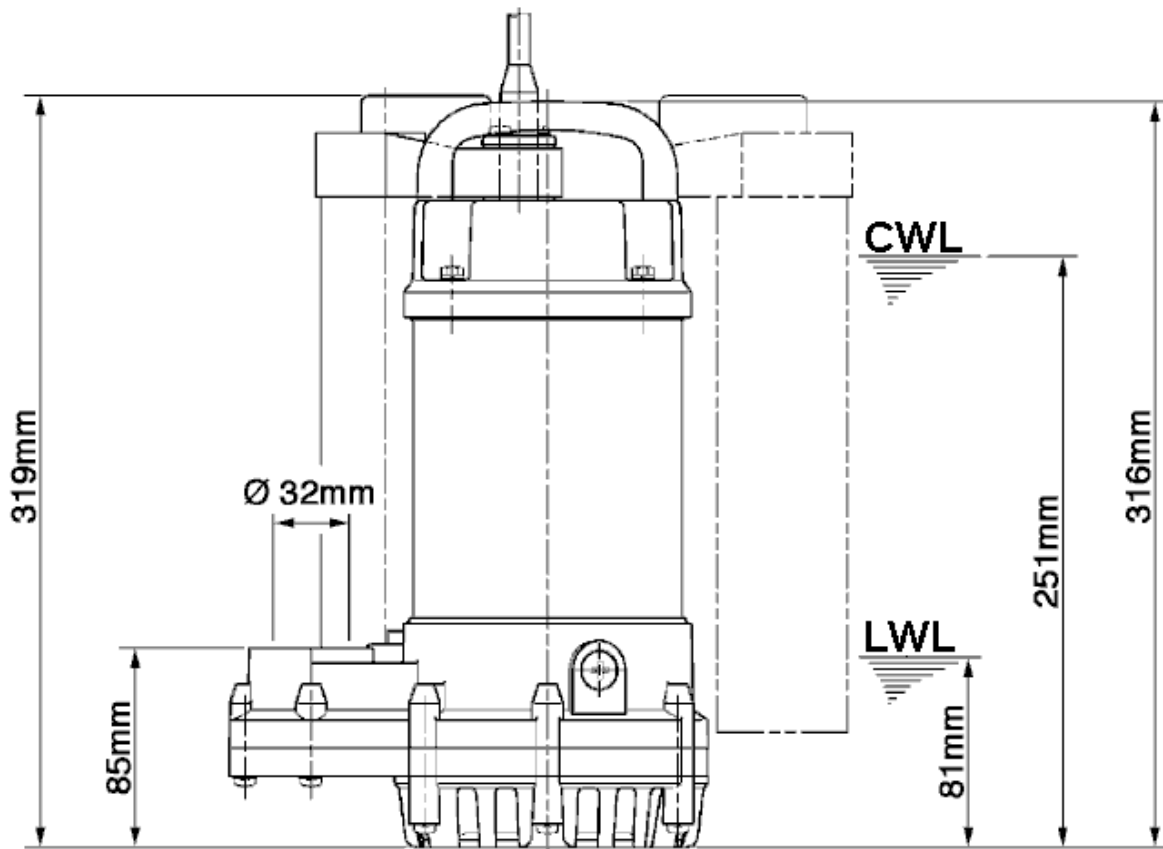
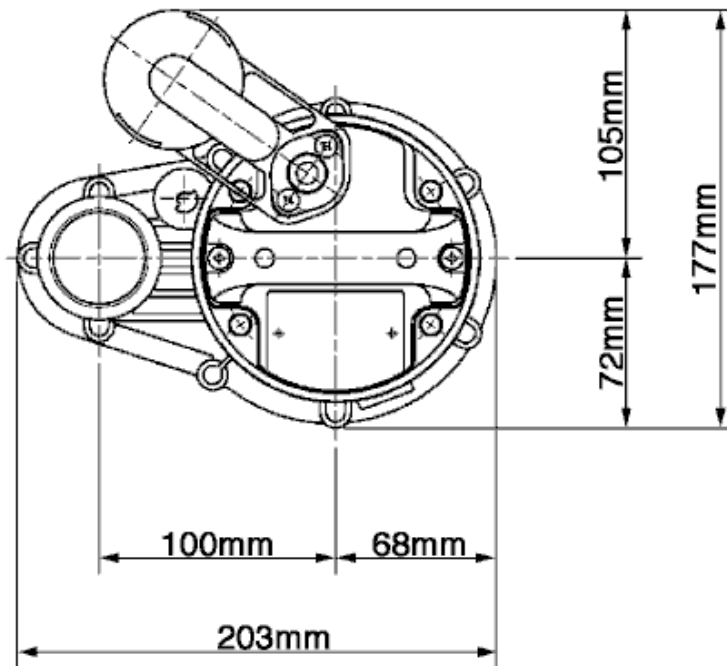
6.1 kg (dry weight of the pump only without cable)

Performance curve OMA3

Discharge port	1,25"
Head	7.5 m
Flow	193.2 l/min
Rated power	0.15 kW
Power input	0.30 kW
Phases	1~
Voltages	110 V
Frequency	50 Hz
Rated current	3.1 A
Starting current	8.09 A
Number of poles	2
Speed	2850 1/min
Starting mode	Directly
Insulation class	E



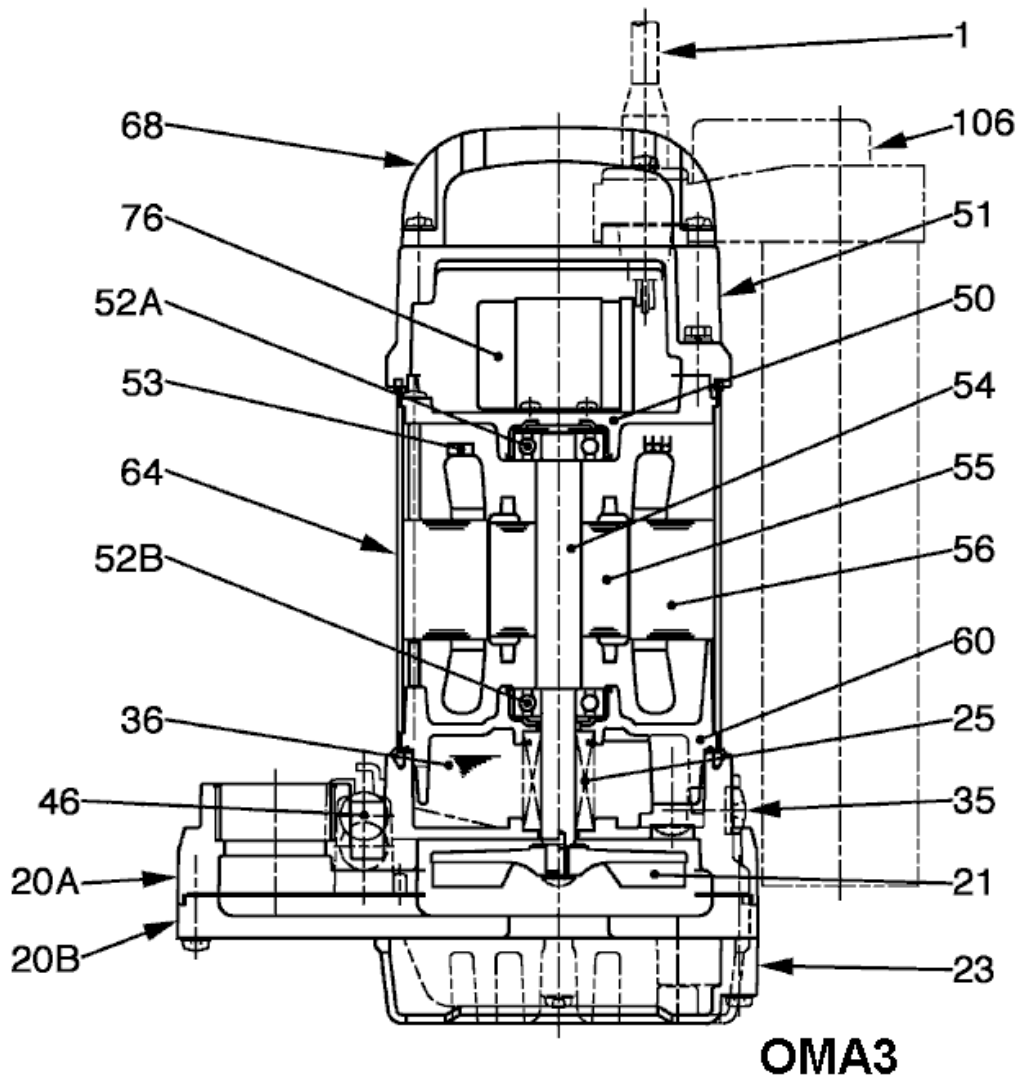
Dimensions OMA3



OMA3

CWL: Continuous running water level
LWL: Lowest running water level

Sectional drawing OMA3



OMA3

No.	Description	Remark	No.	Description	Remark
1	Cable	H07RN-F	56	Stator	.
20A	Upper Pump casing	Plastic with glass fibers	60	Bearing Housing	Aluminium die casting
20B	Lower Pump casing	Plastic with glass fibers	64	Motor Frame	DIN 1.4301 (EN-X5CrNi 18-10)
21	Impeller	Plastic with glass fibers	68	Handle	Plastic
23	Strainer	Plastic	76	Condenser	.
25	Mechanical seal	D-12B	106	Float	Plastic
35	Oil screw	DIN 1.4301 (EN-X5CrNi 18-10)			
36	Lubricant	Turbine oil (ISO VG32)			
46	Pressure release valve	Glass bead			
50	Motor cover	Aluminium die casting			
51	Main cover	Plastic			
52A	Upper bearing	6201ZZC3			
52B	Lower bearing	6201ZZC3			
53	Motor Protector	.			
54	Shaft	DIN 1.4000 (EN-X6Cr13)			
55	Rotor	.			