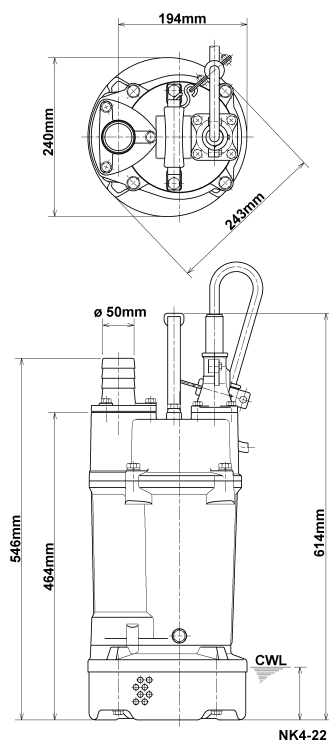
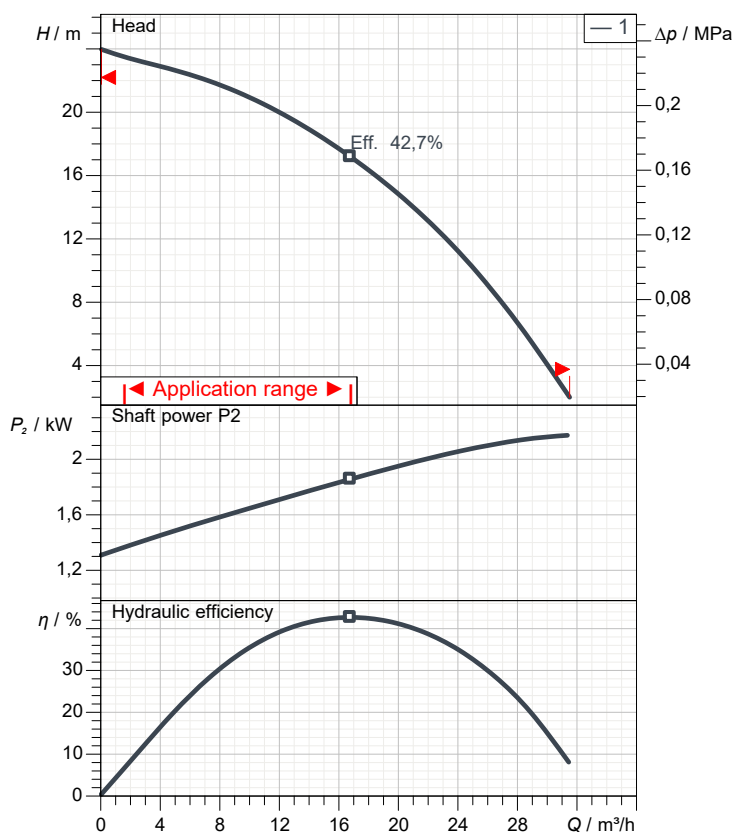


# Data sheet NK4-22



CWL: Continuous running water level



## Specification

Electric submersible pump NK-series  
 Degree of protection IP 68  
 Pressure resistance max. 25 m  
 Type of impeller semi-vortex  
 Max. solid handling 6 mm  
 Suitable for:  
 spring-/rain-/font water, water containing sand

## Electric motor

Dry-type submersible induction motor  
 Insulation class F 2Poles 2.876 1/min  
 Starting mode  
 Rated voltage 230 V 50 Hz 1~  
 Power uptake 2,92 kW  
 Rated power 2,20 kW  
 Rated current 14,6 A  
 Start current 69,5 A

## Cable

20m H07RN8-F 3Cx2,5mm<sup>2</sup>

## Motor Protection

Circle thermal protector  
 (snap-action bi-metal device)

## Shaft seal

Double inside mechanical seal in oil bath  
 additional lubrication by oil lifting device  
 Primary seal  
 Silicon carbide on silicon carbide  
 Secondary seal  
 Silicon carbide on silicon carbide

## Bearings

Shielded ball bearings, maintenance-free

## Materials

Impeller	FCD700 (EN-GJS-700-2)
Pump casing	BR + Natural Rubber
Motor Frame	Aluminium alloy casting
Shaft	SUS403 (EN-X6Cr13)

## Discharge size

2" (50mm) BS-Coupling / Hose Coupling (optional)

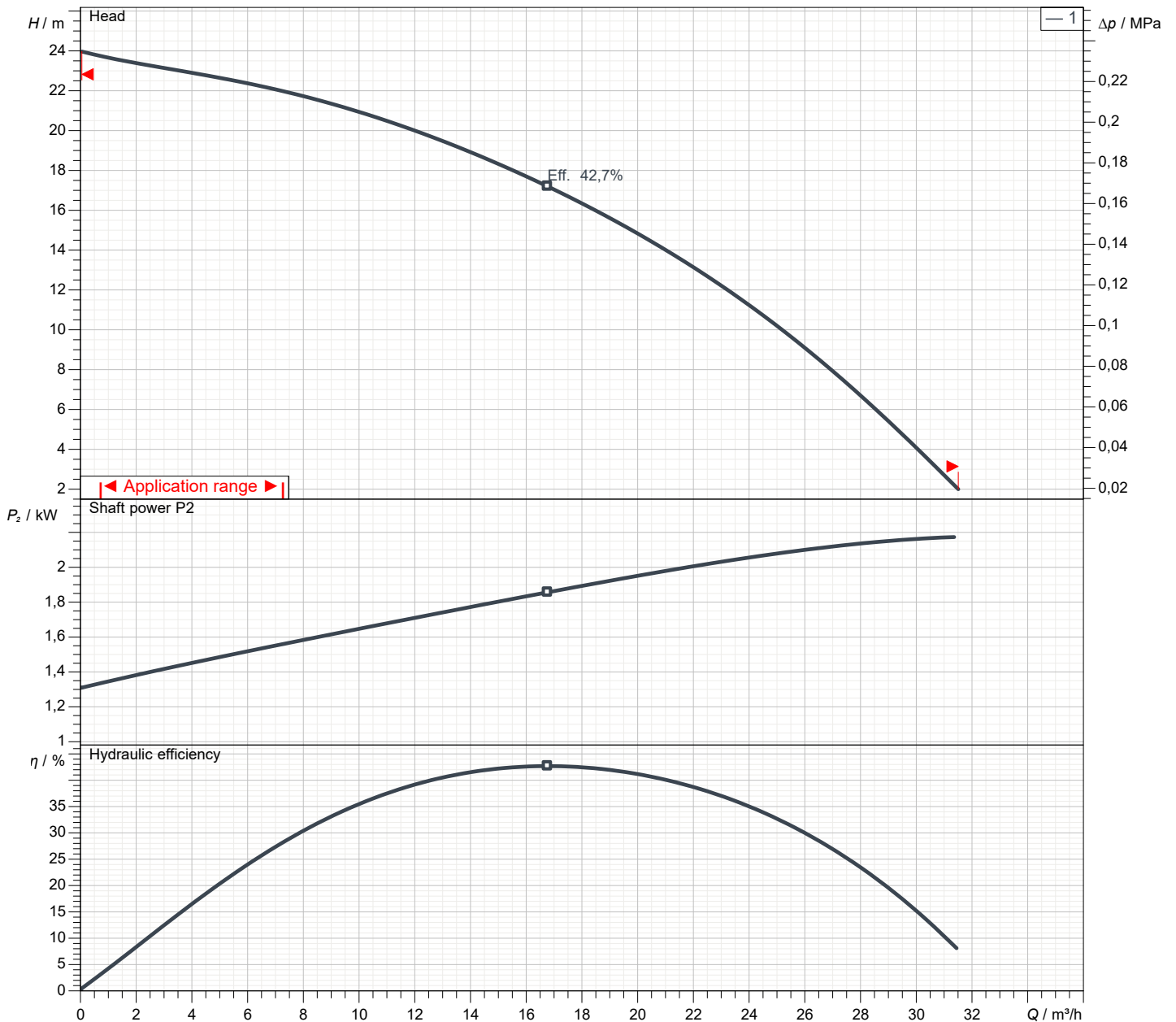
## Weight

29 kg (dry weight of the pump only without cable)

# Performance curve

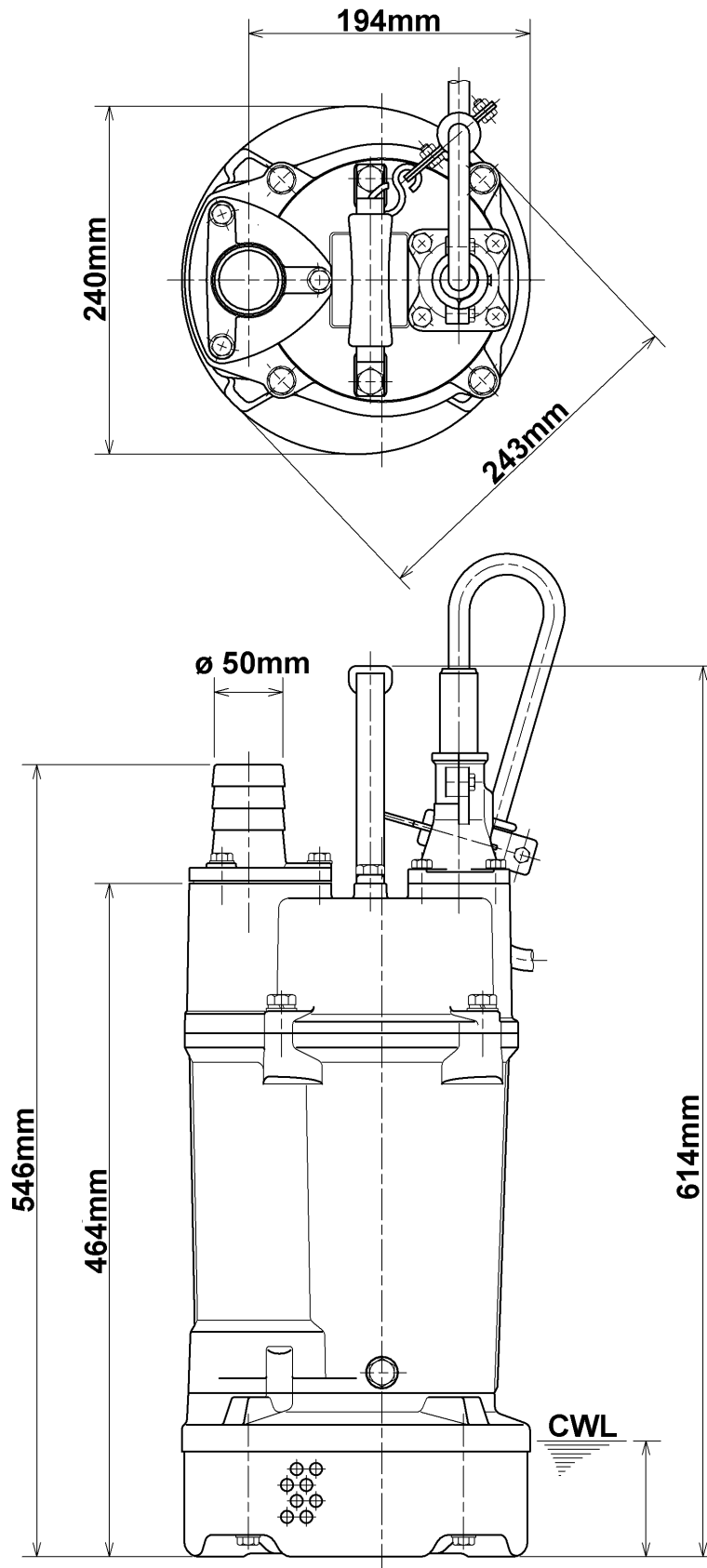
## NK4-22

Discharge port	2"
Head	24,0 m
Flow	31,5 m <sup>3</sup> /h
Rated power	2,20 kW
Power input	2,92 kW
Phases	1~
Voltages	230 V
Frequency	50 Hz
Rated current	14,6 A
Starting current	69,50 A
Number of poles	2
Speed	2.876 1/min
Starting mode	
Insulation class	F



# Dimensions

## NK4-22

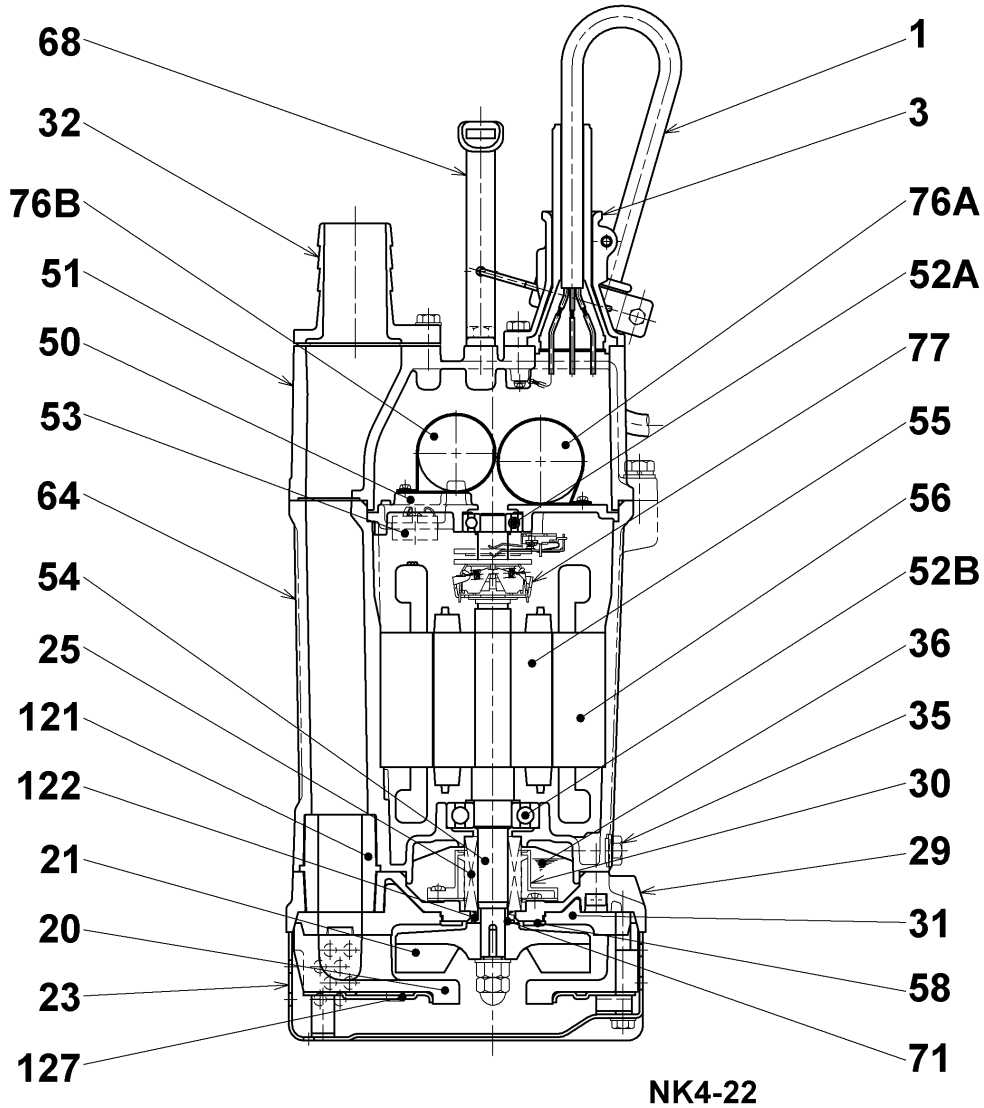


NK4-22

CWL: Continuous running water level  
LWL: Lowest running water level

# Sectional drawing

## NK4-22



NK4-22

No.	Description	Remark	No.	Description	Remark
1	Cable	H07RN-F	53	Motor Protector 380/400/415V-50Hz,KA314-HRXL00 (H.C)	
3	Gland	Aluminium die casting	54	Shaft	SUS403 (EN-X6Cr13)
20	Pump casing	BR + Natural Rubber	55	Rotor	.
21	Impeller	FCD700 (EN-GJS-700-2)	56	Stator	.
23	Strainer	Steel plate	58	Schutzplatte	Steel plate
25	Mechanical seal	H-20T	64	Motor Frame	Aluminium alloy casting
29	Oil casing	Aluminium alloy casting	68	Handle	Steelplate and rubber
30	Oil distributor	Plastic	71	Shaft protection sleeve	SUS304 (EN-X5CrNi18-10)
31	Attrition plate	Synthetic rubber	76A	Condenser	.
32	Discharge coupling	Aluminium die casting	76B	Condenser	.
35	Oil screw	SUS304 (EN-X5CrNi18-10)	77	Centrifugal force switch	.
36	Lubricant	Turbine oil (ISO VG32)	121	Seal	Styrene-butadiene-rubber
50	Motor cover	FC200 (EN-GJL-200)	122	V-ring	Nitrilkautschuk
51	Main cover	Aluminium alloy casting	127	Fixing plate	Steel plate
52A	Upper bearing	6203ZZC3			
52B	Lower bearing	6305ZZC3			