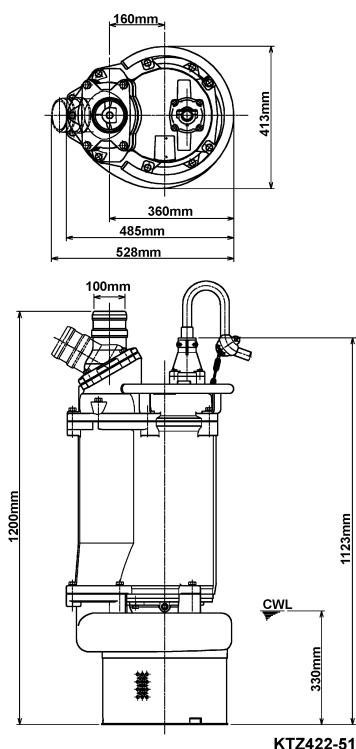
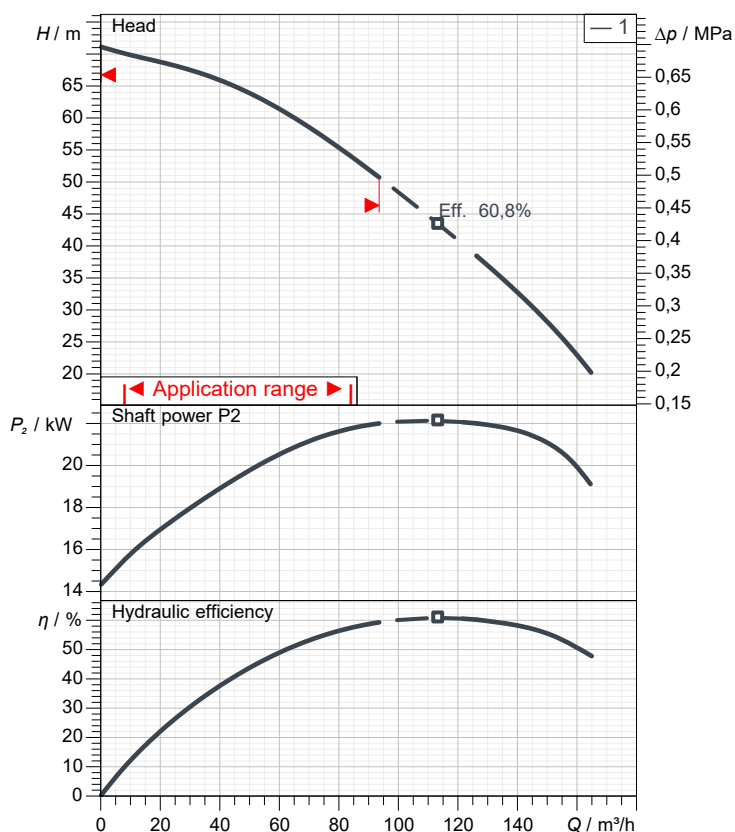


Data sheet KTZ422-51



CWL: Continuous running water level



Specification

Electric submersible pump KTZ-series
 Degree of protection IP 68
 Pressure resistance max. 25 m
 Type of impeller Semi-open
 Max. solid handling 10 mm
 Suitable for:
 spring-/rain-/waste-/ground water, water containing sand

Electric motor

Dry-type submersible induction motor
 Insulation class F 2Poles 2.915 1/min
 Starting mode Direct starting
 Rated voltage 400 V 50 Hz 3~
 Power uptake 24,00 kW
 Rated power 22,00 kW
 Rated current 37,6 A
 Start current 280,9 A

Cable

20m NSSHÖU 4Cx10mm² + 2x1,5ST

Motor Protection

Circle thermal protector
 (snap-action bi-metal device)

Shaft seal

Double inside mechanical seal in oil bath
 additional lubrication by oil lifting device
 Primary seal
 Silicon carbide on silicon carbide
 Secondary seal
 Silicon carbide on carbon

Bearings

Shielded ball bearings, maintenance-free

Materials

Impeller	Chromium Iron HiCrFC
Pump casing	FC200 (EN-GJL-200)
Suction cover	FCD50 (EN-GJS-500-7)
Motor Frame	FC200 (EN-GJL-200)
Shaft	SUS420J2 (EN-X30Cr13)

Discharge size

4" (100mm) BS-Coupling / Hose Coupling (optional)

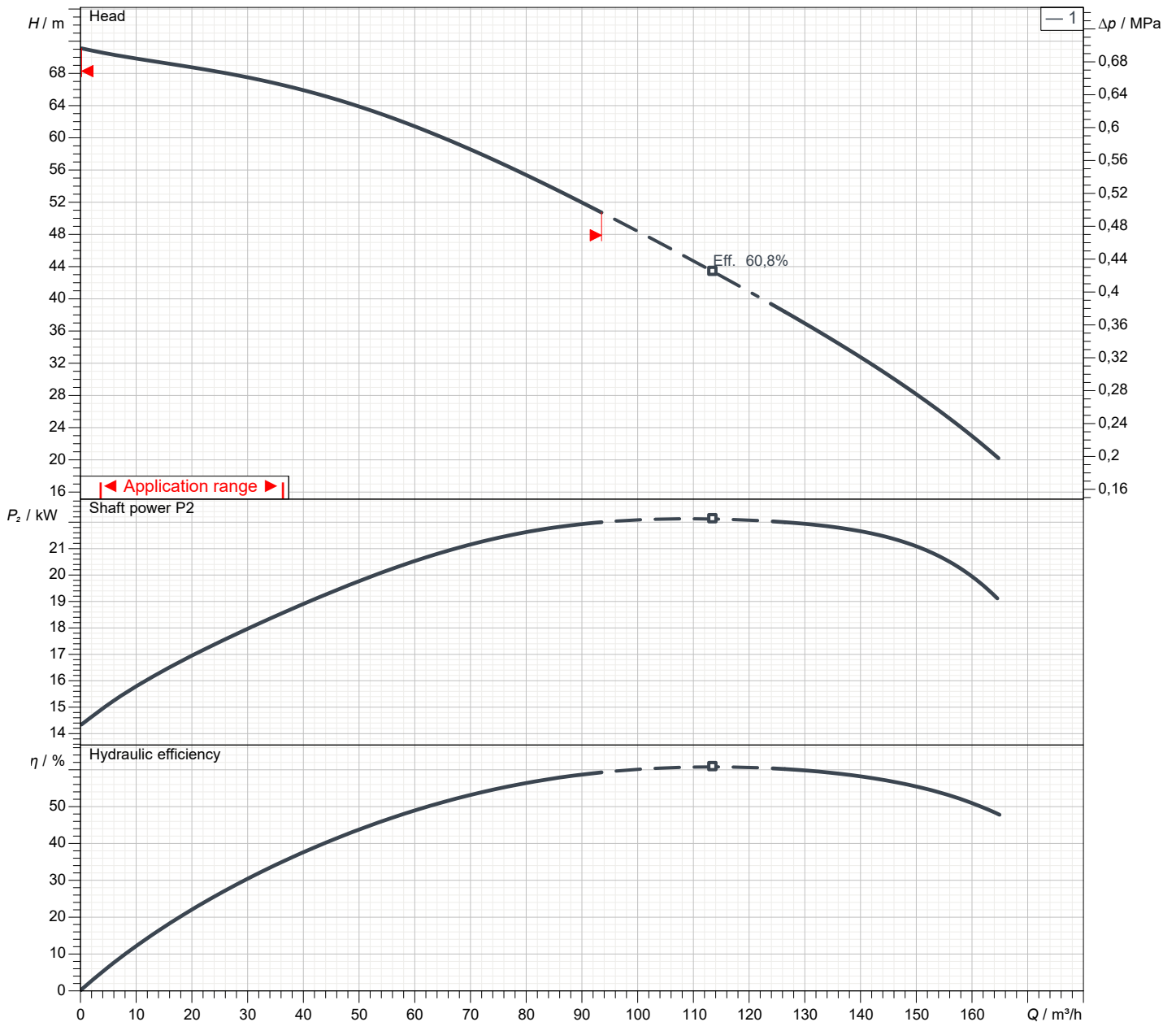
Weight

295 kg (dry weight of the pump only without cable)

Performance curve

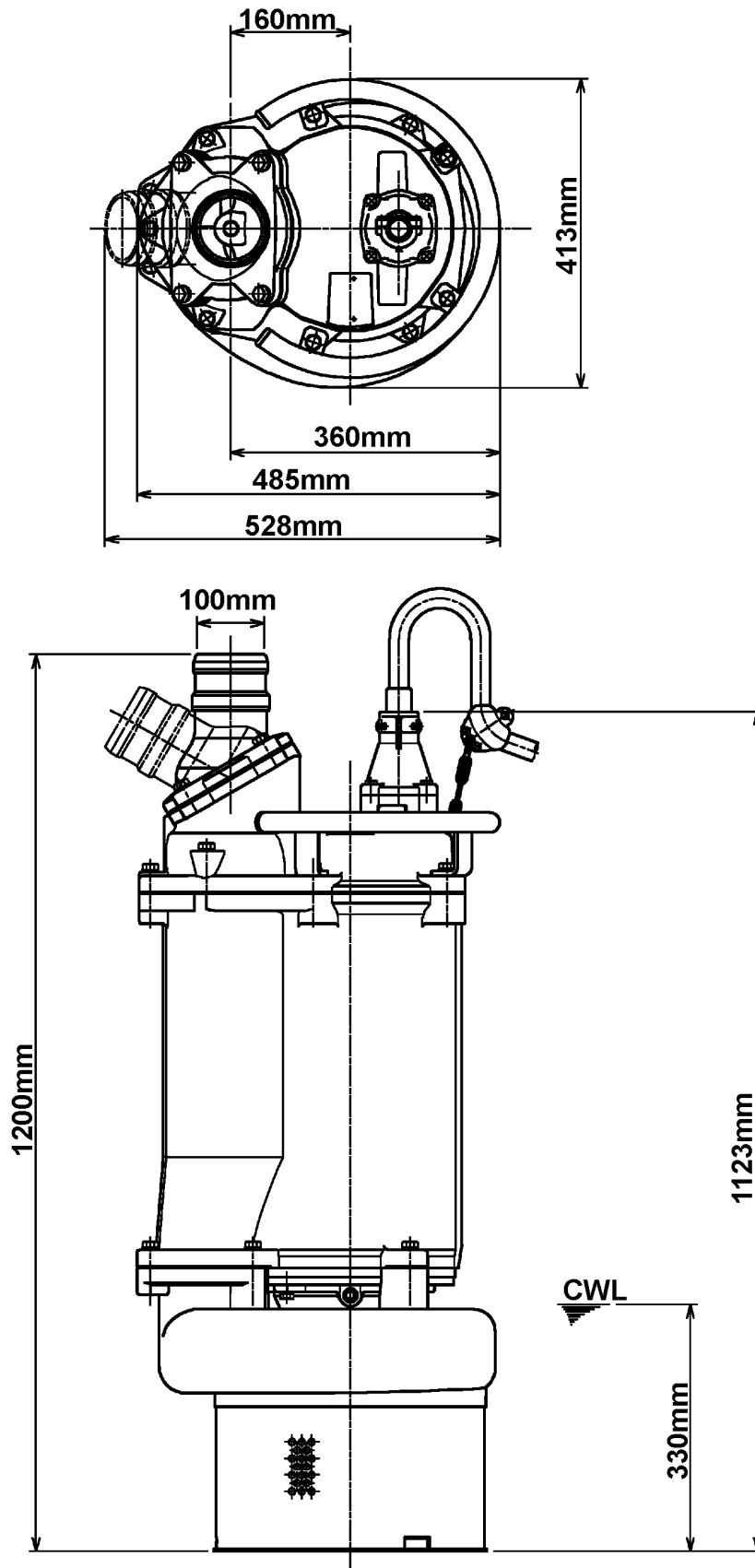
KTZ422-51

Discharge port	4"
Head	71,1 m
Flow	93,5 m ³ /h
Rated power	22,00 kW
Power input	24,00 kW
Phases	3~
Voltages	400 V
Frequency	50 Hz
Rated current	37,6 A
Starting current	280,87 A
Number of poles	2
Speed	2.915 1/min
Starting mode	Direct starting
Insulation class	F



Dimensions

KTZ422-51

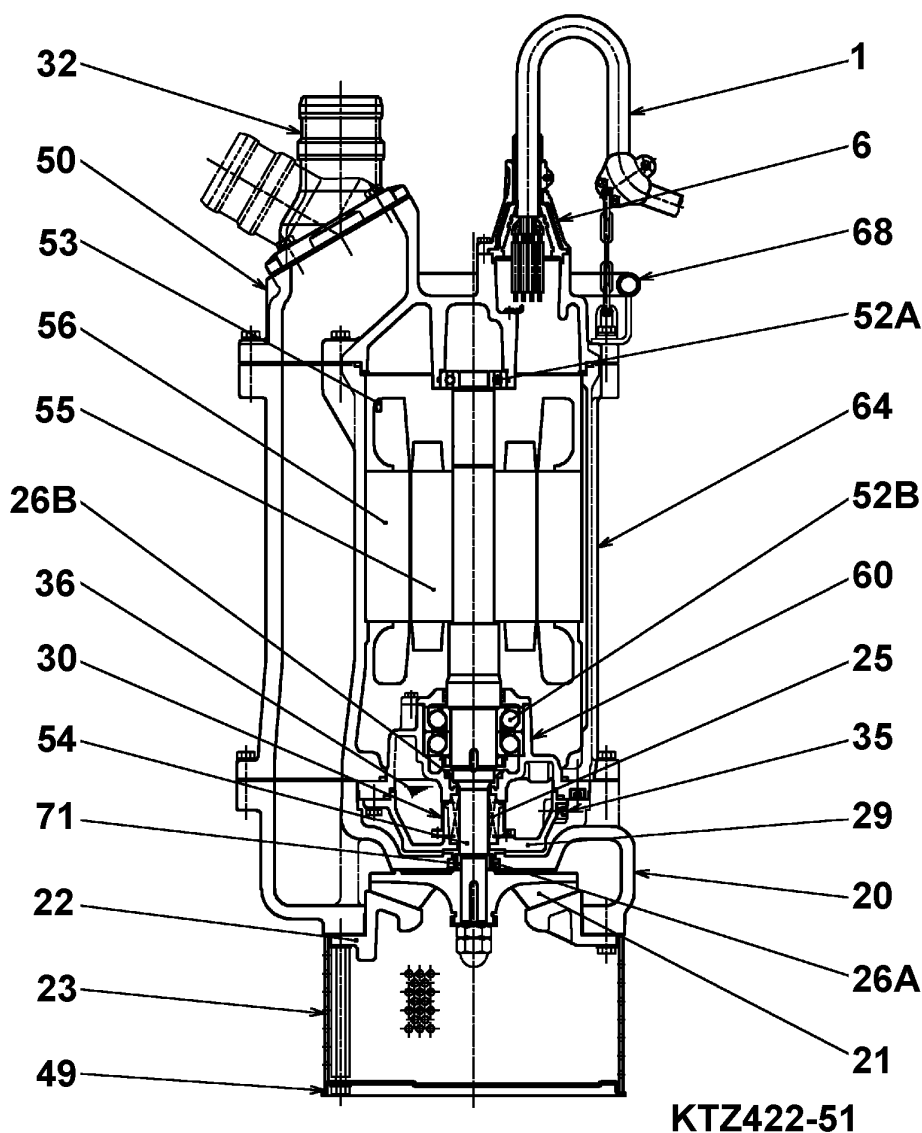


KTZ422-51

CWL: Continuous running water level
LWL: Lowest running water level

Sectional drawing

KTZ422-51



No.	Description	Remark	No.	Description	Remark
1	Cable	20m NSSHÖU	50	Main cover	FC200 (EN-GJL-200)
3	Gland	FC200 (EN-GJL-200)	52A	Upper bearing	6306ZZC3
6	Stuffing box	FC200 (EN-GJL-200)	52B	Lower bearing	6309ZZD2C3
20	Pump casing	FC200 (EN-GJL-200)	53	Motor Protector 380/400/415V-50Hz	KA314-HRXL00 (H.C)
21	Impeller	Chromium Iron HiCrFC	54	Shaft	SUS420J2 (EN-X30Cr13)
22	Suction cover	FCD50 (EN-GJS-500-7)	55	Rotor	.
23	Strainer	Steel plate	56	Stator	.
25	Mechanical seal	H-30T	60	Bearing Housing	FC200 (EN-GJL-200)
26A	Labyrinth ring only	SUS304 (EN-X5CrNi18-10)	64	Motor Frame	FC200 (EN-GJL-200)
26B	Oil seal	SC50689	68	Handle	steel pipe / Sectional steel
29	Oil casing	FC200 (EN-GJL-200)	71	Shaft protection sleeve	SUS403 (EN-X6Cr13)
30	Oil distributor	Plastic			
32	Discharge coupling	FC200 (EN-GJL-200)			
35	Oil screw	SUS304 (EN-X5CrNi18-10)			
36	Lubricant	Turbine oil (ISO VG32)			
49	Bottom plate	Steel plate			