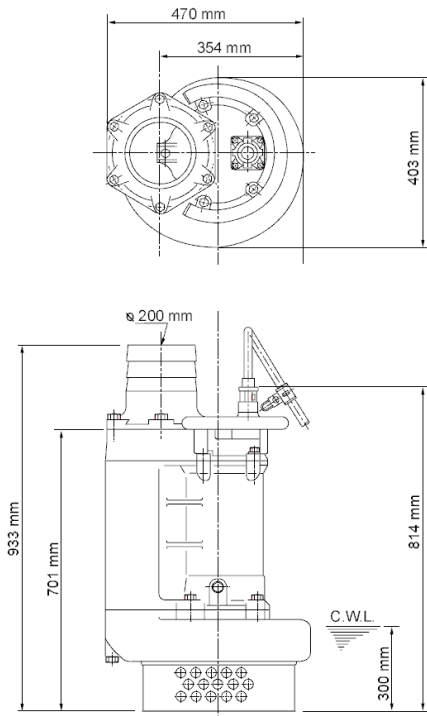
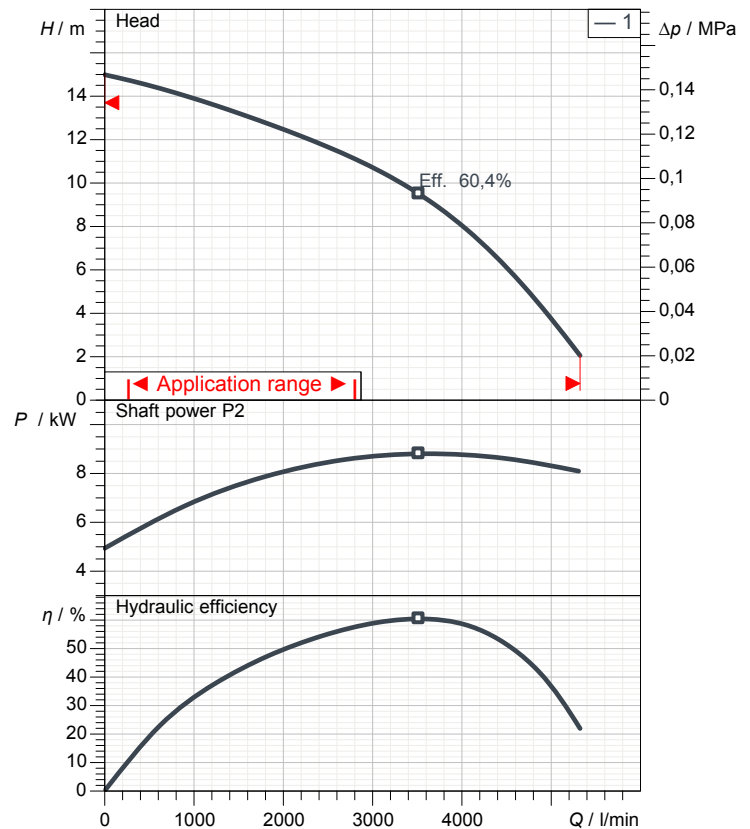


# Data sheet KRS2-89



KRS2-89

CWL: Continuous running water level



## Specification

Electric submersible pump KRS-series  
 Degree of protection IP 68  
 Pressure resistance max. 15 m  
 Type of impeller Semi-open  
 Max. solid handling 30 mm  
 Suitable for:  
 rain water, ground water, sand water

## Electric motor

Dry-type submersible induction motor  
 Insulation class B 4Poles 1440 1/min  
 Starting mode Direct starting  
 Rated voltage 400 V 50 Hz 3~  
 Power uptake 10,90 kW  
 Rated power 9,00 kW  
 Rated current 19 A  
 Start current 130,0 A

## Cable

20m NSSHÖU 4Cx4mm<sup>2</sup>

## Motor Protection

Circle thermal protector  
 (snap-action bi-metal device)

## Shaft seal

Double inside mechanical seal in oil bath  
 additional lubrication by oil lifting device  
 Primary seal  
 Silicon carbide on silicon carbide  
 Secondary seal  
 Silicon carbide on silicon carbide

## Bearings

Shielded ball bearings, maintenance-free

## Materials

Impeller	FCD700 (EN-GJS-700-2)
Pump casing	FC200 (EN-GJL-200)
Suction cover	FC200 (EN-GJL-200)
Motor Frame	FC150 (EN-GJL-150)
Shaft	SUS420J2 (EN-X30Cr13)

## Discharge size

8" (200mm) hose coupling

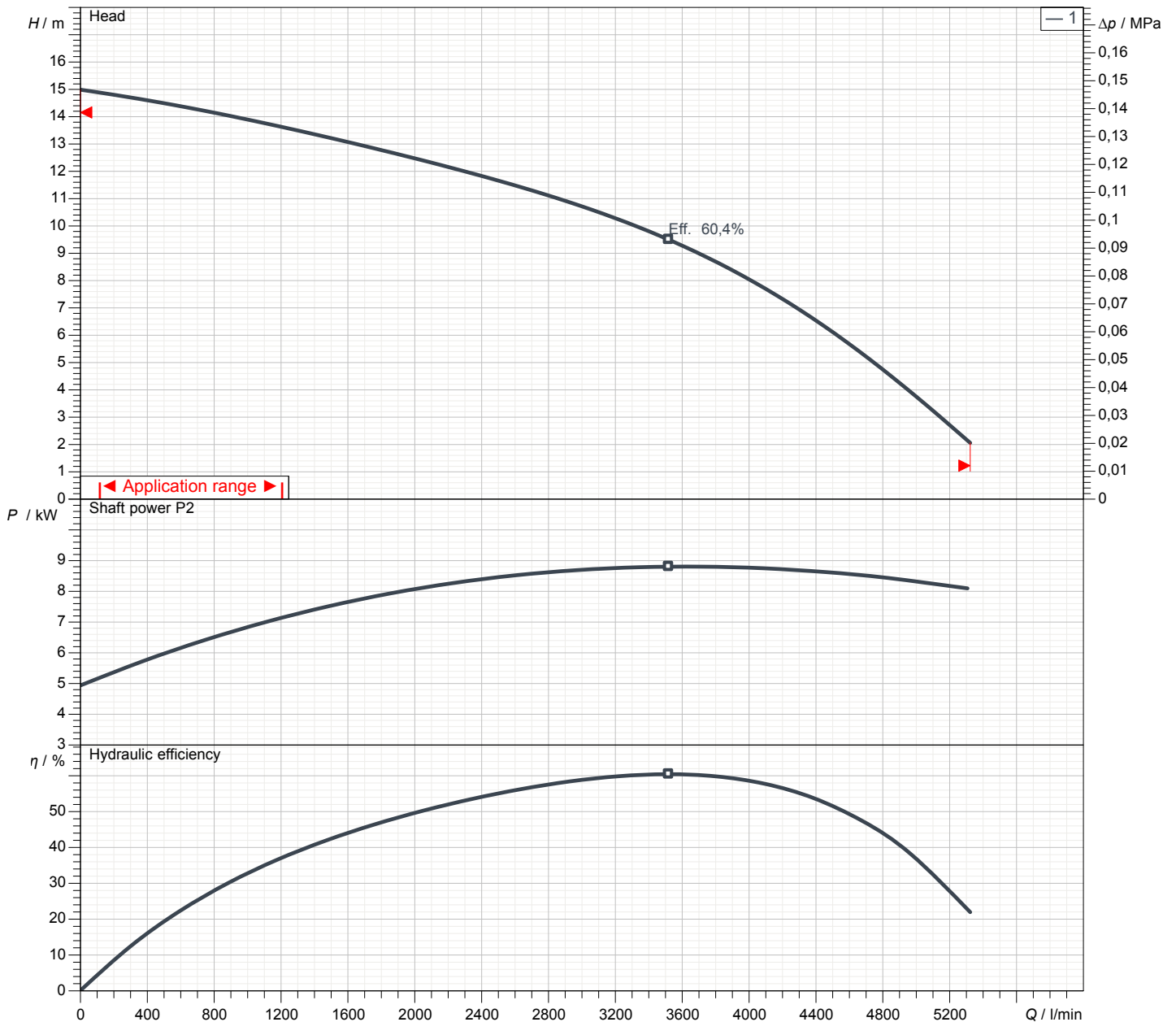
## Weight

175 kg (dry weight of the pump only without cable)

# Performance curve

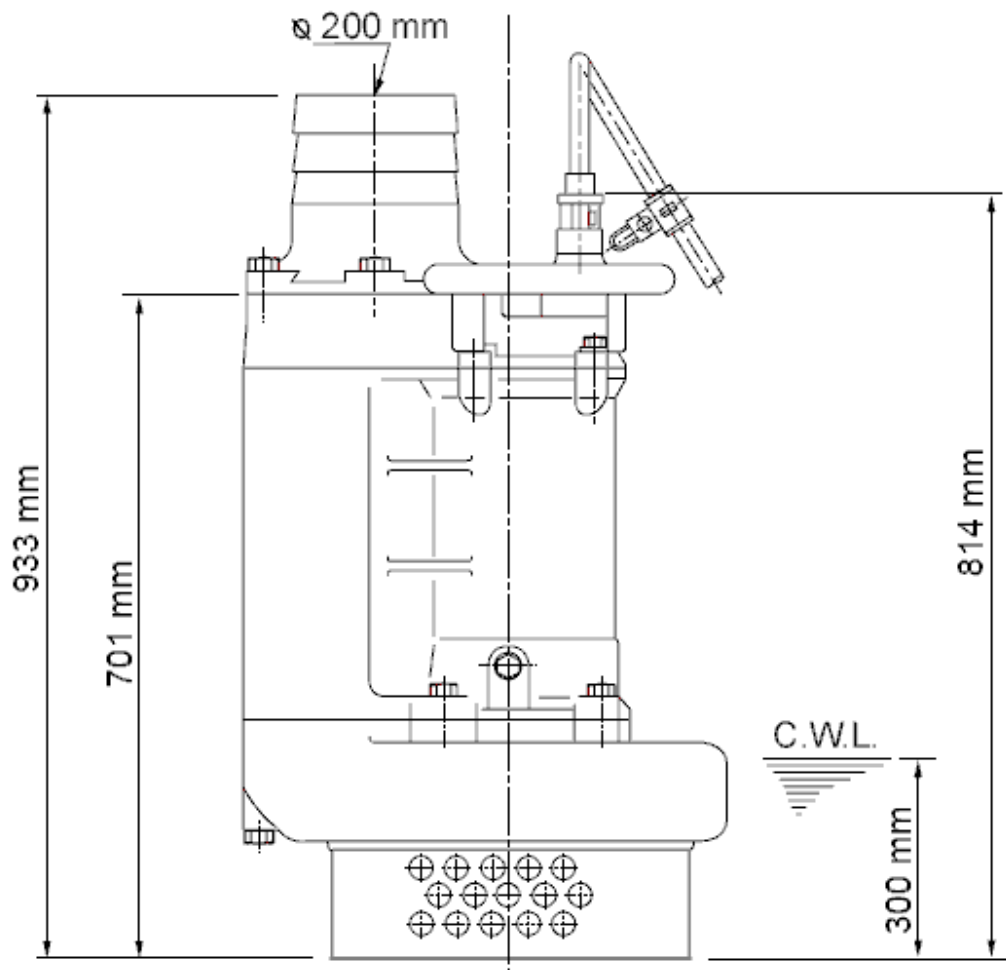
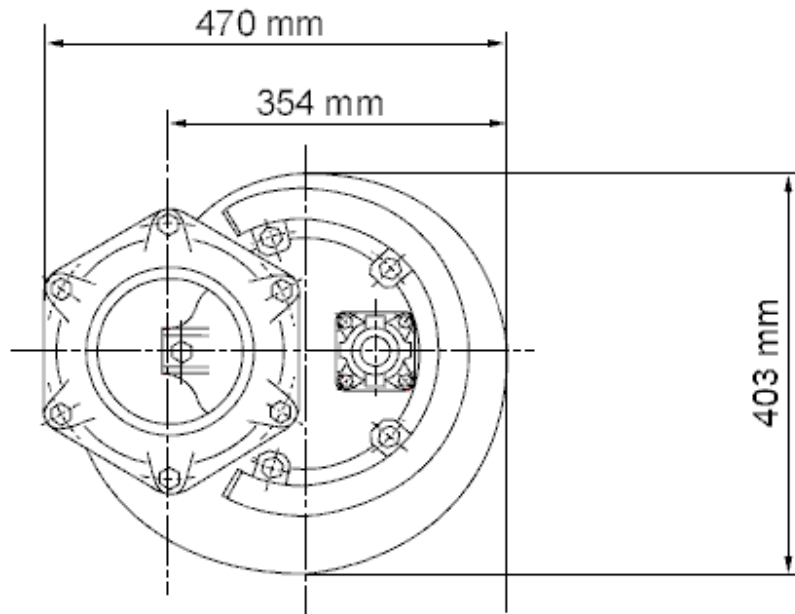
## KRS2-89

Discharge port	8"
Head	15,0 m
Flow	5322,8 l/min
Rated power	9,00 kW
Power input	10,90 kW
Phases	3~
Voltages	400 V
Frequency	50 Hz
Rated current	19 A
Starting current	129,96 A
Number of poles	4
Speed	1440 1/min
Starting mode	Direct starting
Insulation class	B



# Dimensions

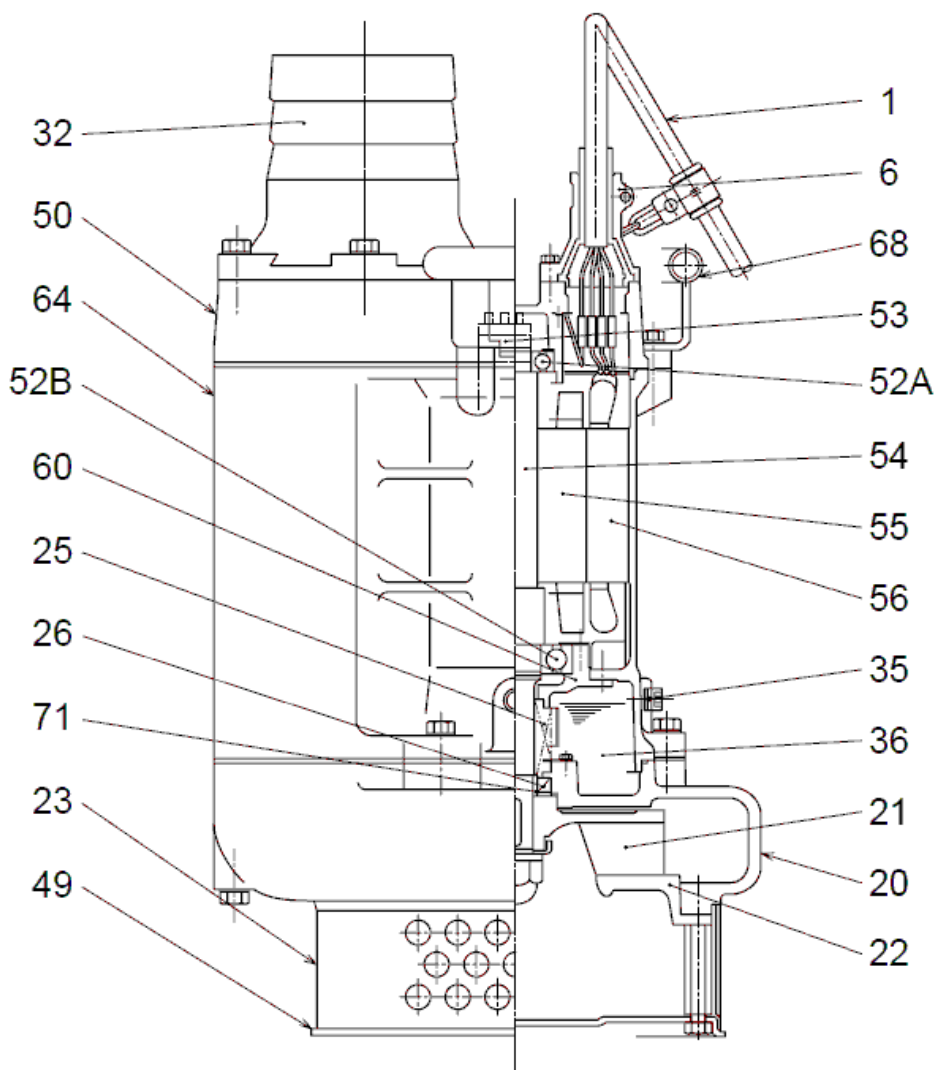
## KRS2-89



**KRS2-89**

CWL: Continuous running water level  
LWL: Lowest running water level

# Sectional drawing KRS2-89



**KRS2-89**

No.	Description	Remark	No.	Description	Remark
1	Cable	20m NSSHÖU	54	Shaft	SUS420J2 (EN-X30Cr13)
6	Stuffing box	FC200 (EN-GJL-200)	55	Rotor	.
20	Pump casing	FC200 (EN-GJL-200)	56	Stator	.
21	Impeller	FCD700 (EN-GJS-700-2)	60	Bearing Housing	FC150 (EN-GJL-150)
22	Suction cover	FC200 (EN-GJL-200)	64	Motor Frame	FC150 (EN-GJL-150)
23	Strainer	Steel plate	68	Handle	electroplated steel pipe
25	Mechanical seal	H-30T	71	Shaft protection sleeve	SUS403 (EN-X6Cr13)
26	Oil seal	.			
32	Discharge coupling	FC200 (EN-GJL-200)			
35	Oil screw	SUS304 (EN-X5CrNi18-10)			
36	Lubricant	Turbine oil (ISO VG32)			
49	Bottom Plate	Steel plate SPCC			
50	Main cover	FC150 (EN-GJL-150)			
52A	Upper bearing	.			
52B	Lower bearing	.			
53	Motor Protector 380/400/415V-50Hz	KA314-HRXL00 (H.C)			