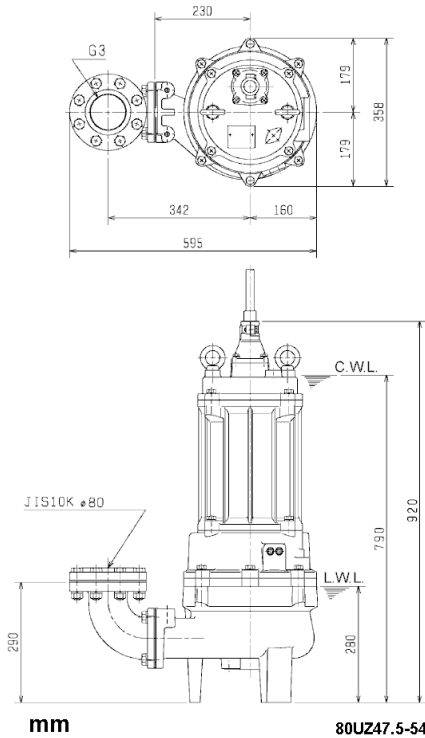
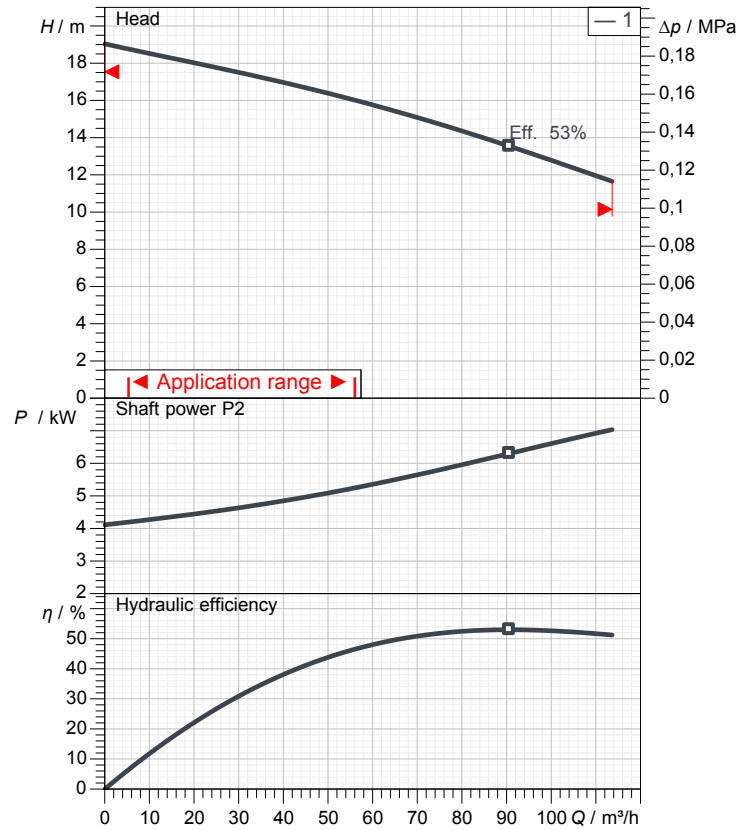


# Data sheet 80UZ47.5-54



CWL: Continuous running water level  
LWL: Lowest running water level



## Specification

Electric submersible pump UZ-series  
Degree of protection IP 68  
Pressure resistance max. 15 m  
Type of impeller Vortex impeller  
Free passage 80 mm  
Suitable for:  
waste water and liquid carrying

## Electric motor

Dry-type submersible induction motor  
Insulation class F 4 Poles 1455 1/min  
Starting mode Direct starting  
Rated voltage 400 V 50 Hz 3~  
Power uptake 9,15 kW  
Rated power 7,50 kW  
Rated current 15,9 A  
Start current 89,0 A

## Cable

10m H07RN-F 4Cx4mm<sup>2</sup>

## Motor Protection

Circle thermal protector  
(snap-action bi-metal device)

## Shaft seal

Double inside mechanical seal in oil bath  
additional lubrication by oil lifting device  
Primary seal  
Silicon carbide on silicon carbide  
Secondary seal  
Silicon carbide on silicon carbide

## Bearings

Shielded ball bearings, maintenance-free

## Materials

Impeller	FC200 (EN-GJL-200)
Pump casing	FC200 (EN-GJL-200)
Motor Frame	FC200 (EN-GJL-200)
Shaft	SUS420J2 (EN-X30Cr13)

## Discharge size

3" (80mm) special screwed-in mating flange  
guide rail fitting optional

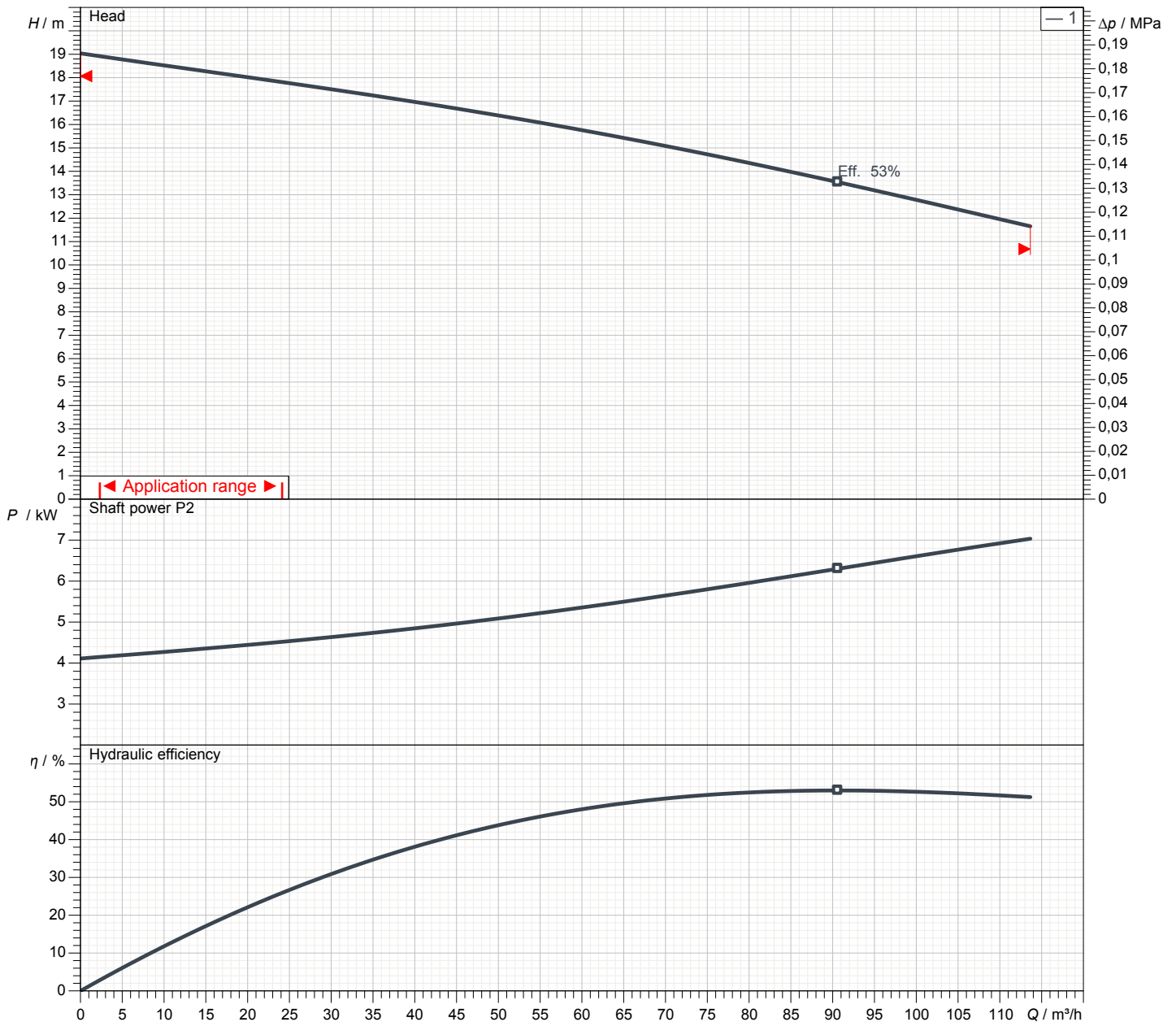
## Weight

142 kg (dry weight of the pump only without cable)

# Performance curve

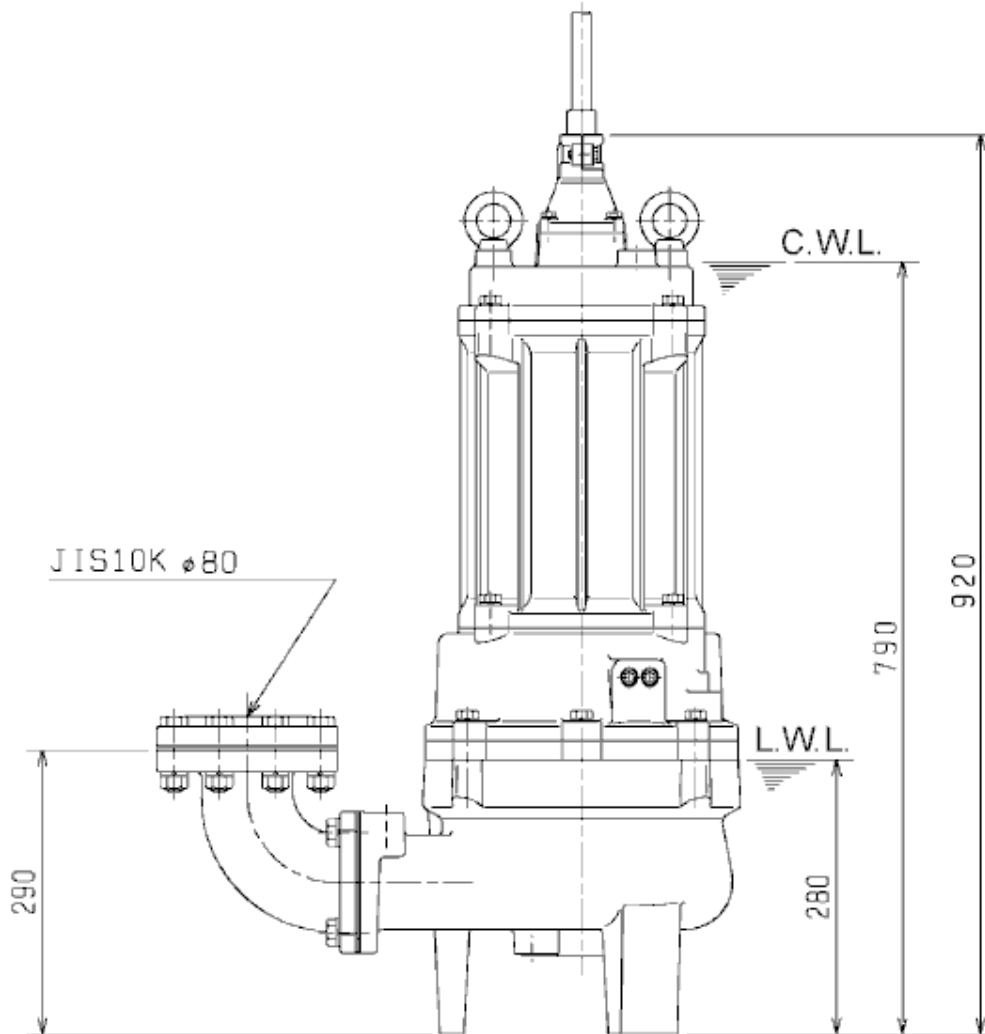
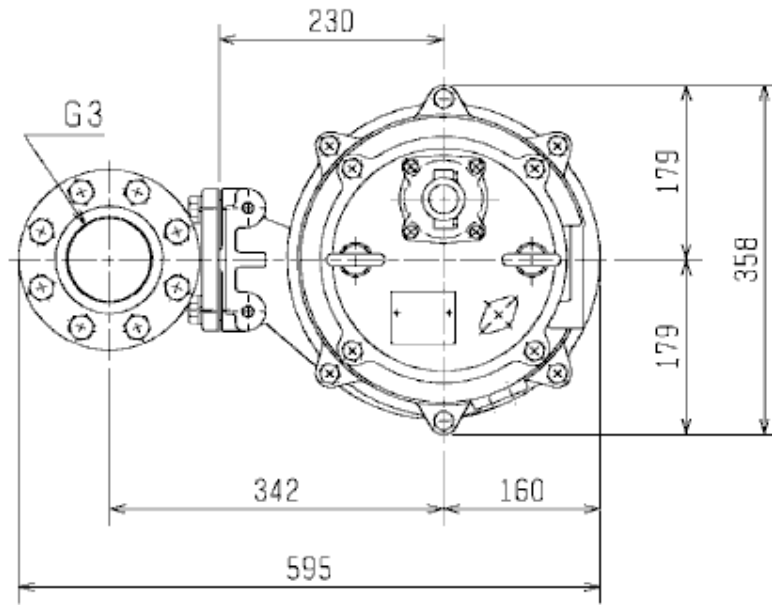
## 80UZ47.5-54

Discharge port	3"
Head	19,0 m
Flow	113,7 m <sup>3</sup> /h
Rated power	7,50 kW
Power input	9,15 kW
Phases	3~
Voltages	400 V
Frequency	50 Hz
Rated current	15,9 A
Starting current	89,04 A
Number of poles	4
Speed	1455 1/min
Starting mode	Direct starting
Insulation class	F



# Dimensions

## 80UZ47.5-54

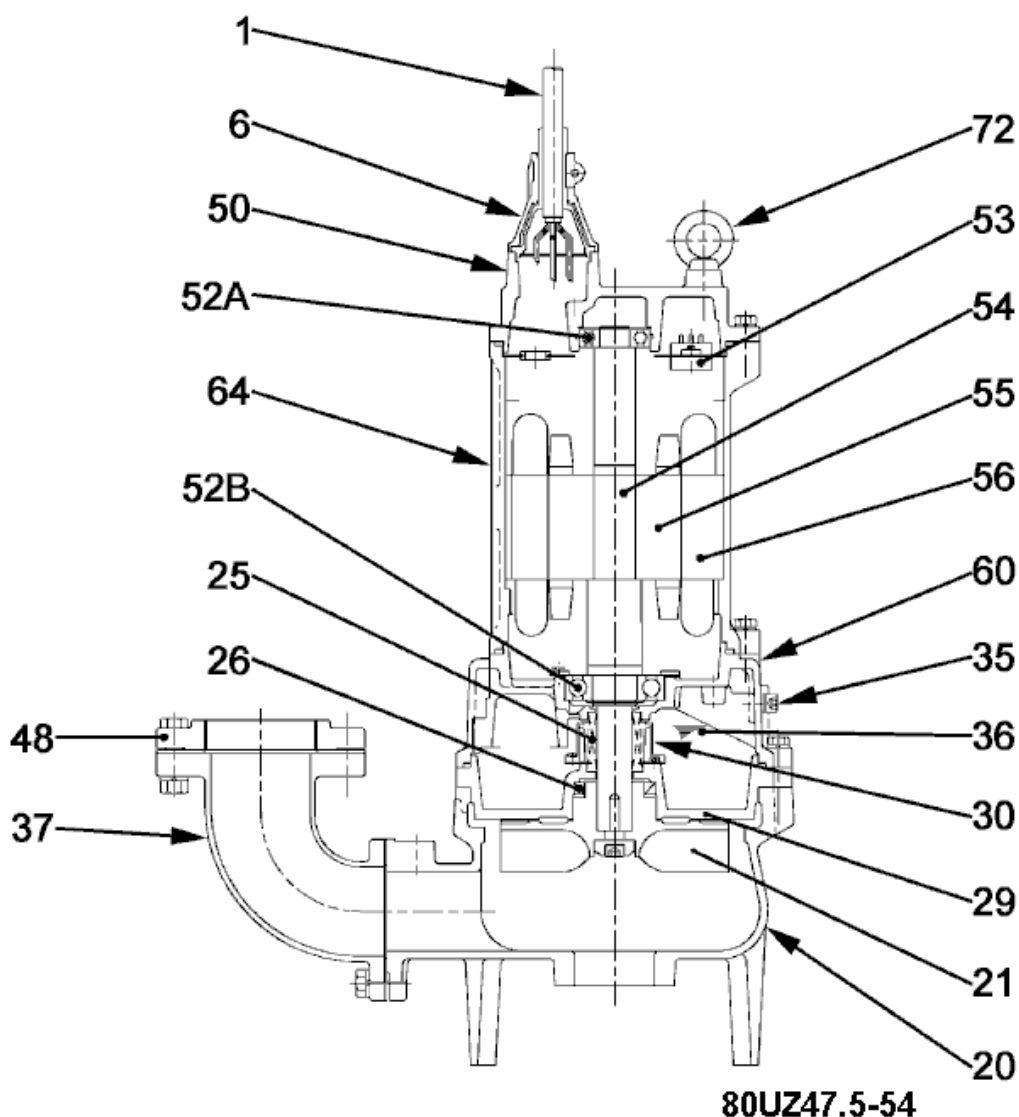


mm

80UZ47.5-54

CWL: Continuous running water level  
LWL: Lowest running water level

# Sectional drawing 80UZ47.5-54



No.	Description	Remark	No.	Description	Remark
1	Cable	H07RN-F	54	Shaft	SUS420J2 (EN-X30Cr13)
6	Stuffing box	FC200 (EN-GJL-200)	55	Rotor	.
20	Pump casing	FC200 (EN-GJL-200)	56	Stator	.
21	Impeller	FC200 (EN-GJL-200)	60	Bearing Housing	FC200 (EN-GJL-200)
25	Mechanical seal	H-35A	64	Motor Frame	FC200 (EN-GJL-200)
26	Oil seal	TC608212	72	Eye screw (2x)	SS400 (DIN 1.0040)
29	Oil casing	FC200 (EN-GJL-200)			
30	Oil distributor	Plastic			
35	Oil screw (2x)	SUS304 (EN-X5CrNi18-10)			
36	Lubricant	Turbine oil (ISO VG32)			
37	Discharge bend	FC200 (EN-GJL-200)			
48	Screwed Flange	FC200 (EN-GJL-200)			
50	Motor cover	FC200 (EN-GJL-200)			
52A	Upper bearing	6306ZZC3			
52B	Lower Bearing	6309ZZC3			
53	Motor Protector 380/400/415V-50Hz	KA314-HRXL00 (H.C)			