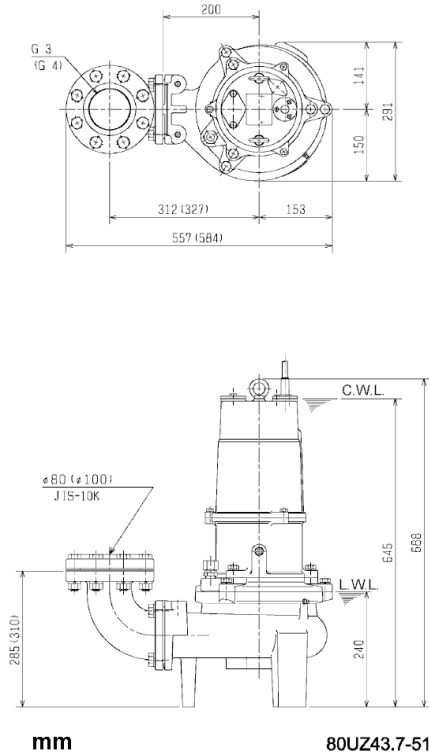
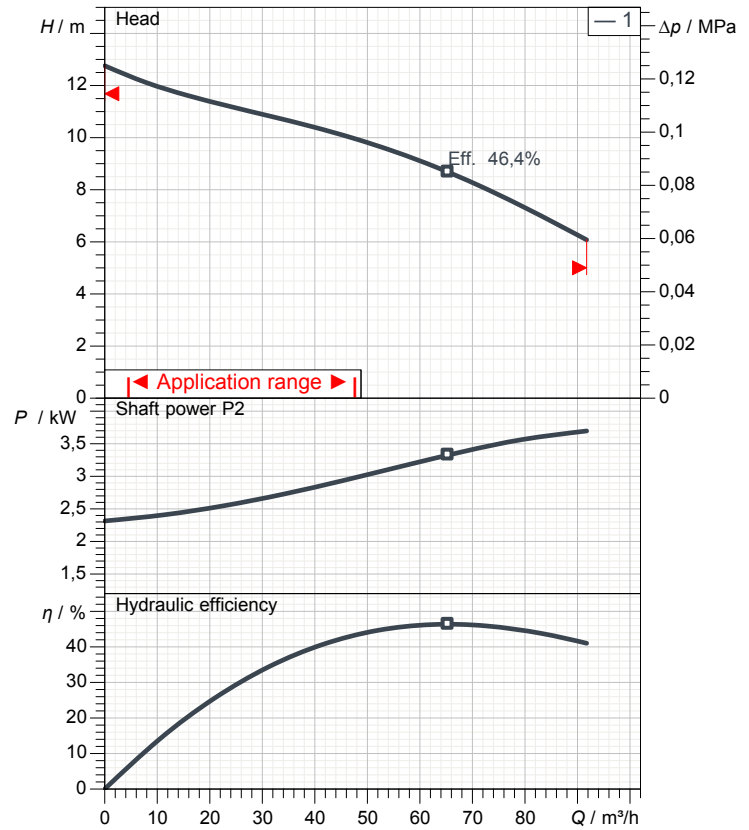


# Data sheet 80UZ43.7-51



CWL: Continuous running water level  
LWL: Lowest running water level



## Specification

Electric submersible pump UZ-series  
Degree of protection IP 68  
Pressure resistance max. 15 m  
Type of impeller Vortex impeller  
Free passage 80 mm  
Suitable for:  
waste water and liquid carrying

## Electric motor

Dry-type submersible induction motor  
Insulation class E 4 Poles 1410 1/min  
Starting mode Direct starting  
Rated voltage 400 V 50 Hz 3~  
Power uptake 4,59 kW  
Rated power 3,70 kW  
Rated current 7,9 A  
Start current 49,0 A

## Cable

10m H07RN-F 4Cx1,5mm²

## Motor Protection

Circle thermal protector  
(snap-action bi-metal device)

## Shaft seal

Double inside mechanical seal in oil bath  
additional lubrication by oil lifting device  
Primary seal  
Silicon carbide on silicon carbide  
Secondary seal  
Silicon carbide on silicon carbide

## Bearings

Shielded ball bearings, maintenance-free

## Materials

Impeller	FC200 (EN-GJL-200)
Pump casing	FC200 (EN-GJL-200)
Motor Frame	FC150 (EN-GJL-150)
Shaft	SUS420J2 (EN-X30Cr13)

## Discharge size

3" (80mm) special screwed-in mating flange  
guide rail fitting optional

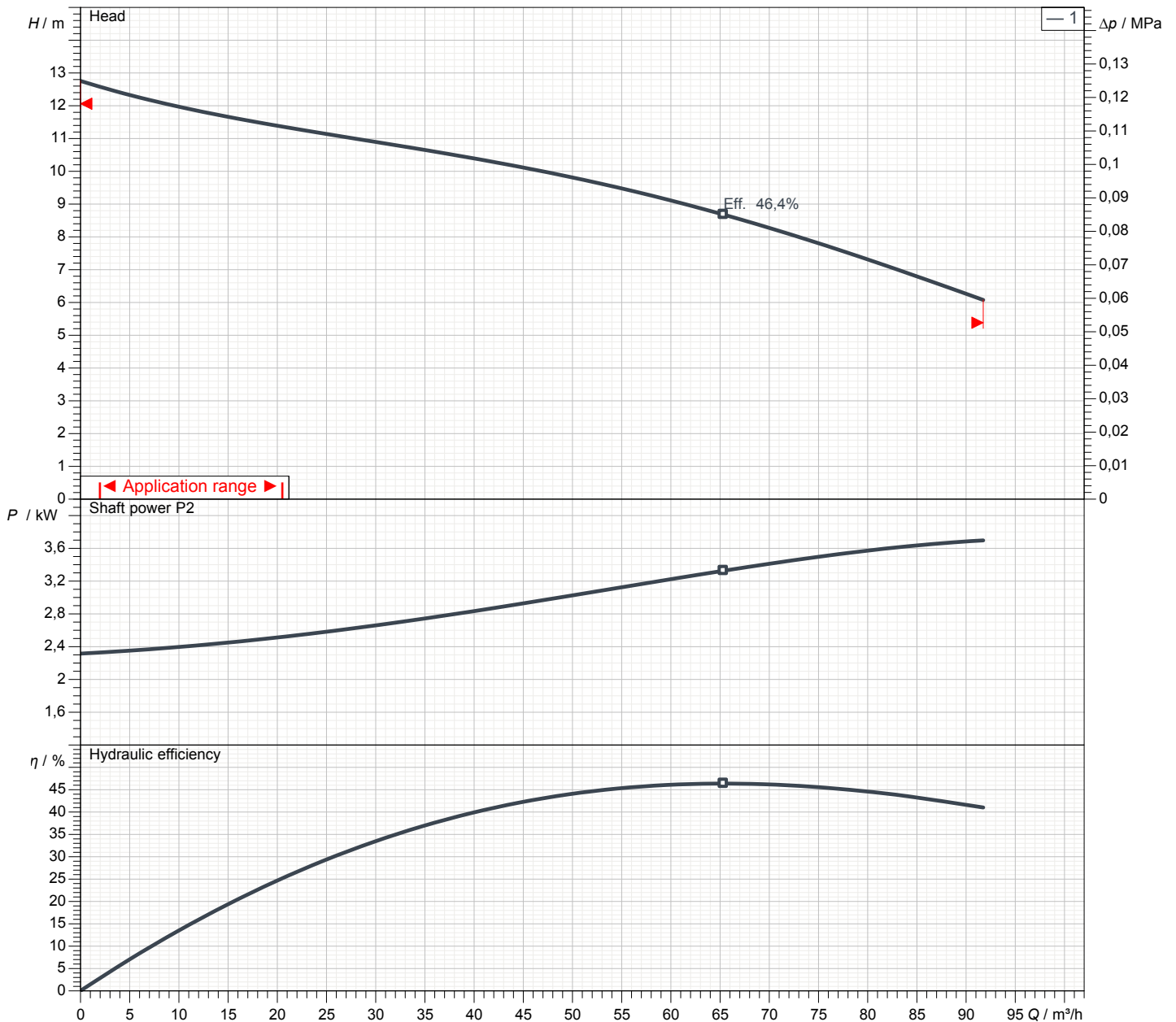
## Weight

72 kg (dry weight of the pump only without cable)

# Performance curve

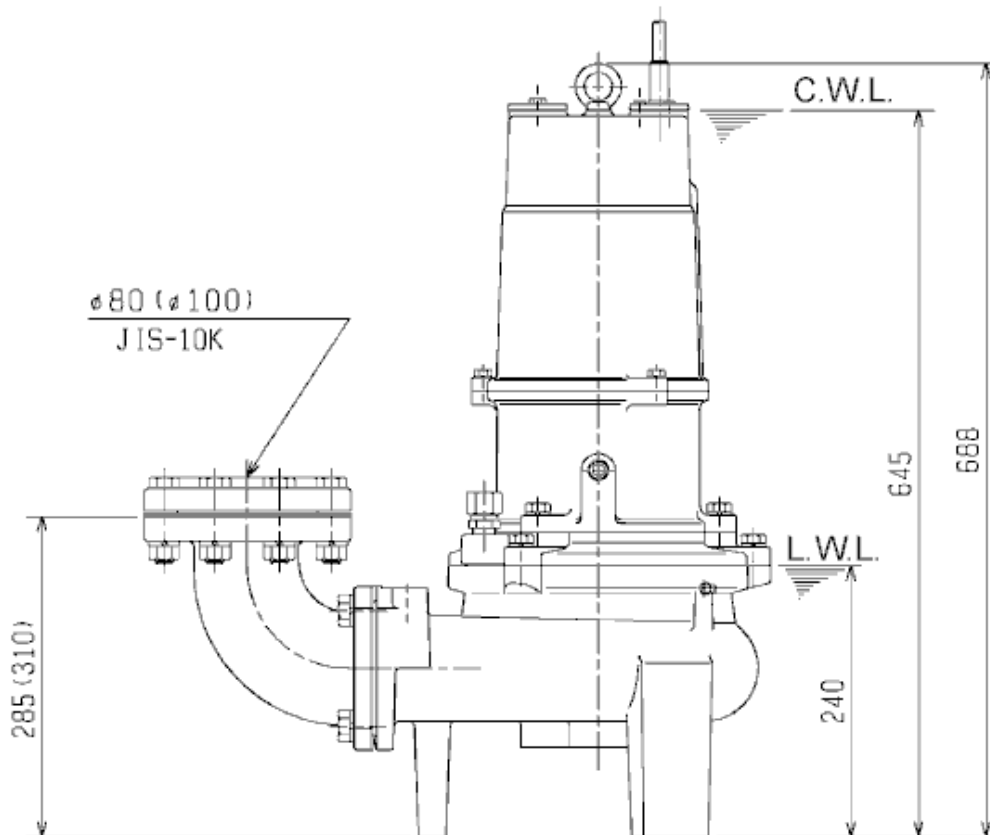
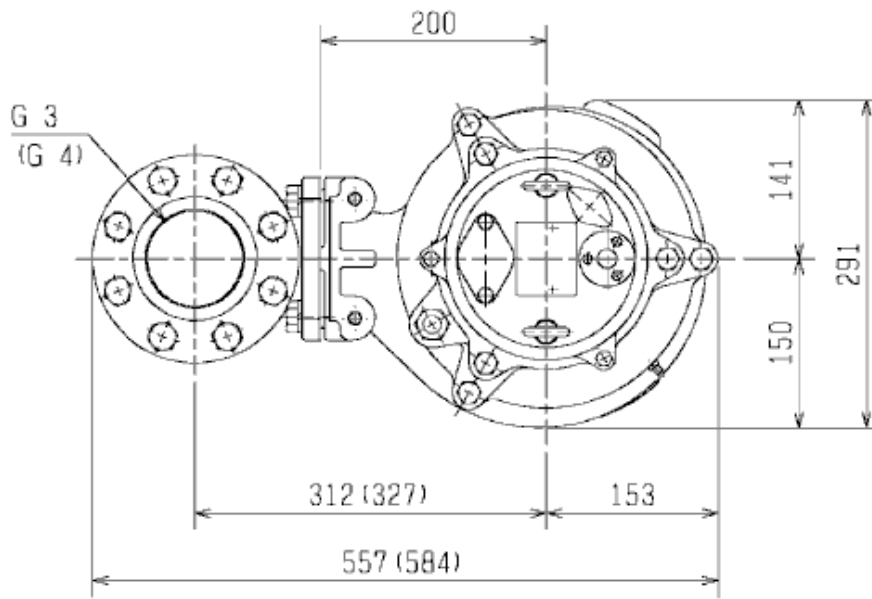
## 80UZ43.7-51

Discharge port	3"
Head	12,8 m
Flow	91,7 m³/h
Rated power	3,70 kW
Power input	4,59 kW
Phases	3~
Voltages	400 V
Frequency	50 Hz
Rated current	7,9 A
Starting current	48,98 A
Number of poles	4
Speed	1410 1/min
Starting mode	Direct starting
Insulation class	E



# Dimensions

## 80UZ43.7-51

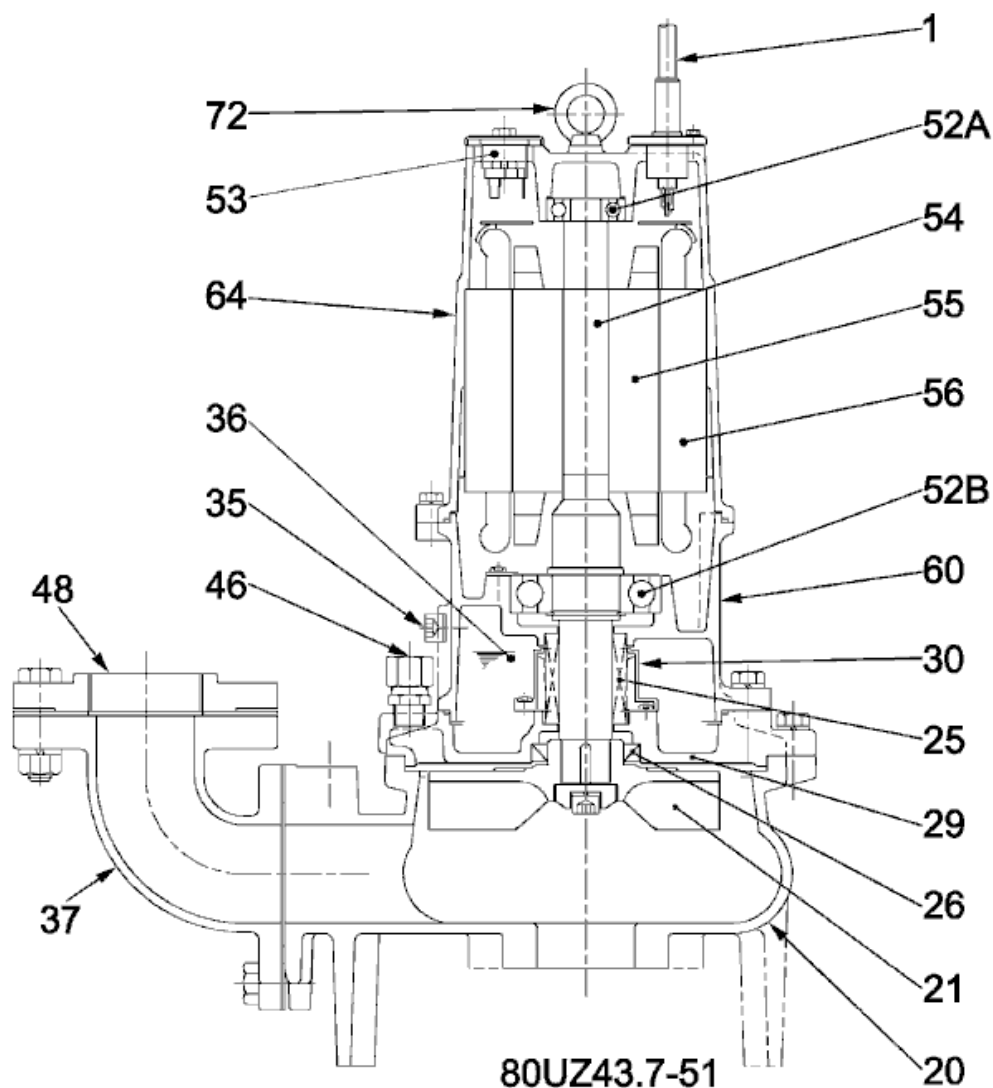


**mm**

**80UZ43.7-51**

**CWL: Continuous running water level**  
**LWL: Lowest running water level**

# Sectional drawing 80UZ43.7-51



No.	Description	Remark	No.	Description	Remark
1	Cable	H07RN-F	55	Rotor	.
20	Pump casing	FC200 (EN-GJL-200)	56	Stator	.
21	Impeller	FC200 (EN-GJL-200)	60	Bearing Housing	FC150 (EN-GJL-150)
25	Mechanical seal	H-35A	64	Motor Frame	FC150 (EN-GJL-150)
26	Oil seal	TC507212	72	Eye screw (2x)	SUS304 (EN-X5CrNi18-10)
29	Oil casing	FC200 (EN-GJL-200)			
30	Oil distributor	Plastic			
35	Oil screw	SUS304 (EN-X5CrNi18-10)			
36	Lubricant	Turbine oil (ISO VG32)			
37	Discharge bend	FC200 (EN-GJL-200)			
46	Air vent screw	Brass			
48	Screwed Flange	FC200 (EN-GJL-200)			
52A	Upper bearing	6304ZZC3			
52B	Lower bearing	6309ZZC3			
53	Motor Protector 380/400/415V-50Hz	KA314-HRXL00 (H.C)			
54	Shaft	SUS420J2 (EN-X30Cr13)			