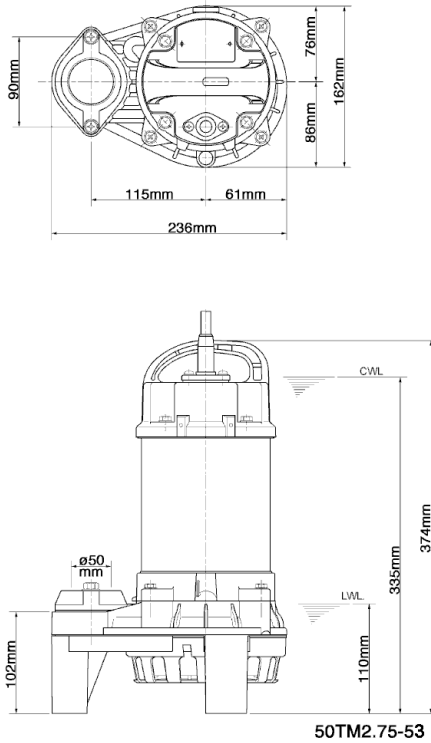
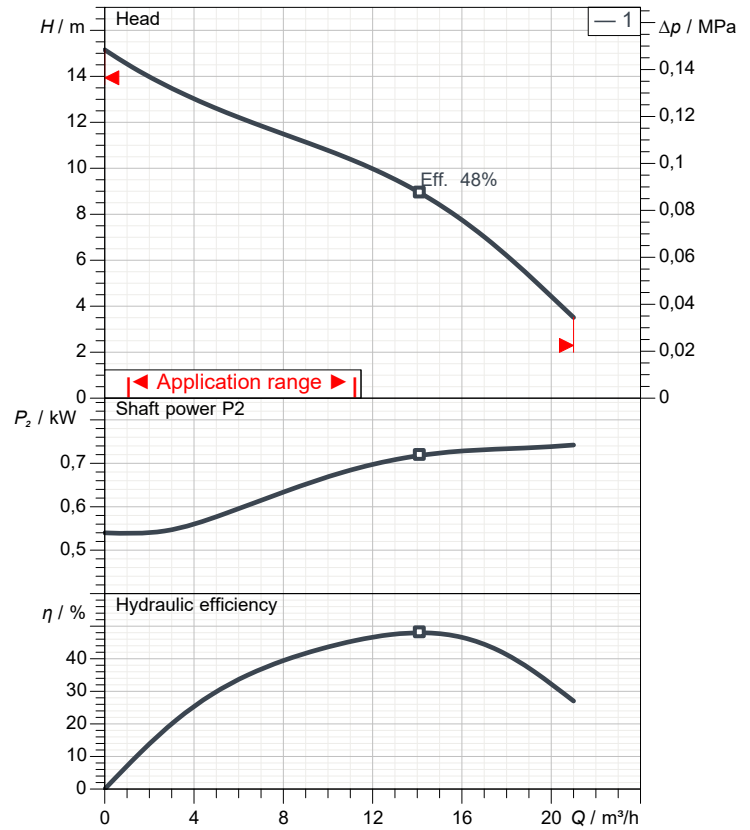


Data sheet 50TM2.75-53



CWL: Continuous running water level
LWL: Lowest running water level



Specification

Electric submersible pump TM-series
 Degree of protection IP 68
 Pressure resistance max. 10 m
 Type of impeller Vortex impeller
 Free passage 10 mm
 Suitable for:
 sea water, salt water

Electric motor

Dry-type submersible induction motor
 Insulation class E 2Poles 2.816 1/min
 Starting mode Direct starting
 Rated voltage 400 V 50 Hz 3~
 Power uptake 0,96 kW
 Rated power 0,75 kW
 Rated current 1,9 A
 Start current 8,5 A

Cable

10m NSSHÖU 4Cx1,5mm²

Motor Protection

Circle thermal protector
 (snap-action bi-metal device)

Shaft seal

Double inside mechanical seal in oil bath
 additional lubrication by oil lifting device
 Primary seal
 Silicon carbide on ceramic
 Secondary seal
 Ceramic on carbon

Bearings

Shielded ball bearings, maintenance-free

Materials

Impeller	PPO-GF20
Pump casing	ABS-GF20
Motor Frame	Titanium
Shaft	Titanium

Discharge size

50mm screwed-in mating flange

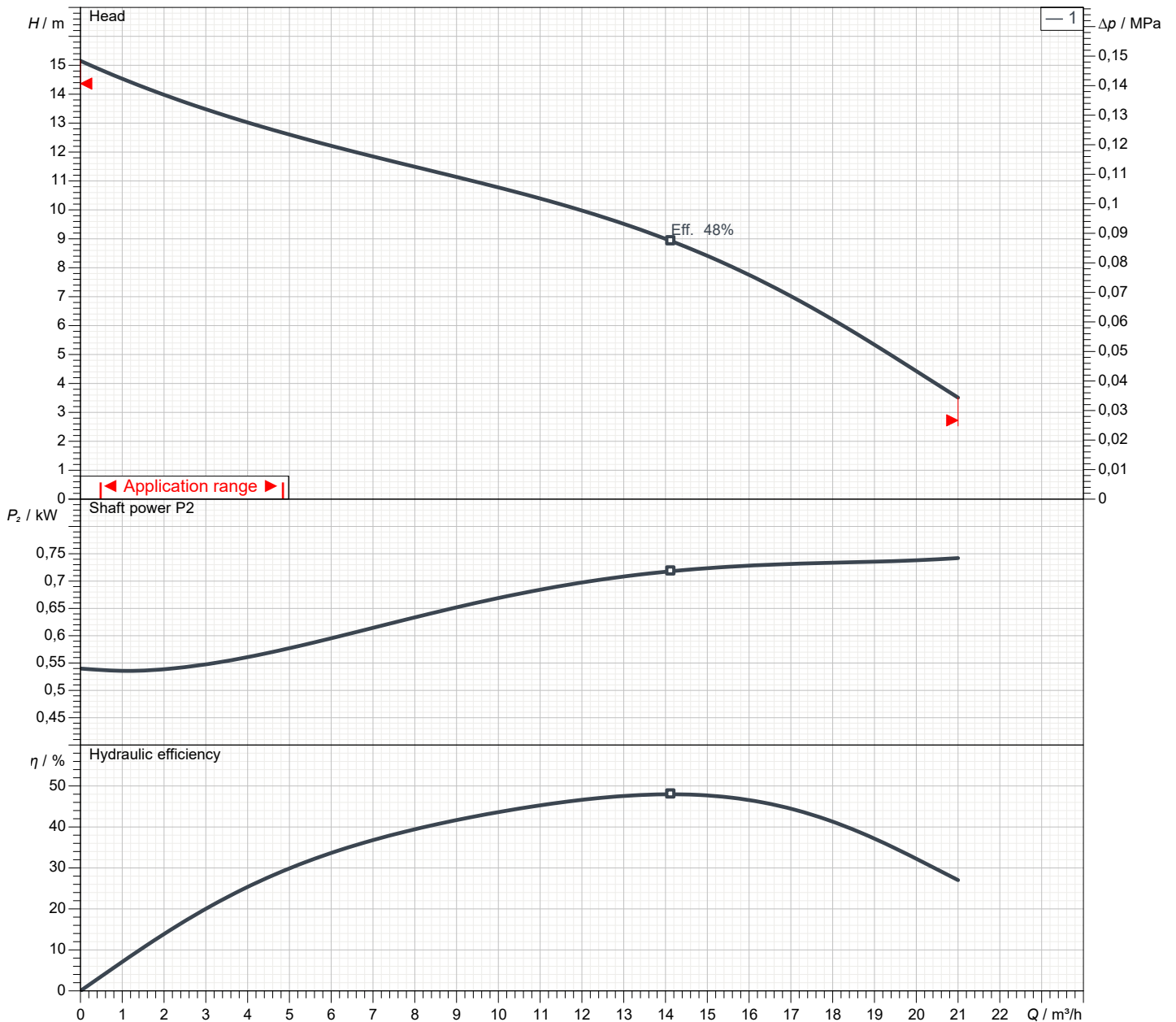
Weight

7,8 kg (dry weight of the pump only without cable)

Performance curve

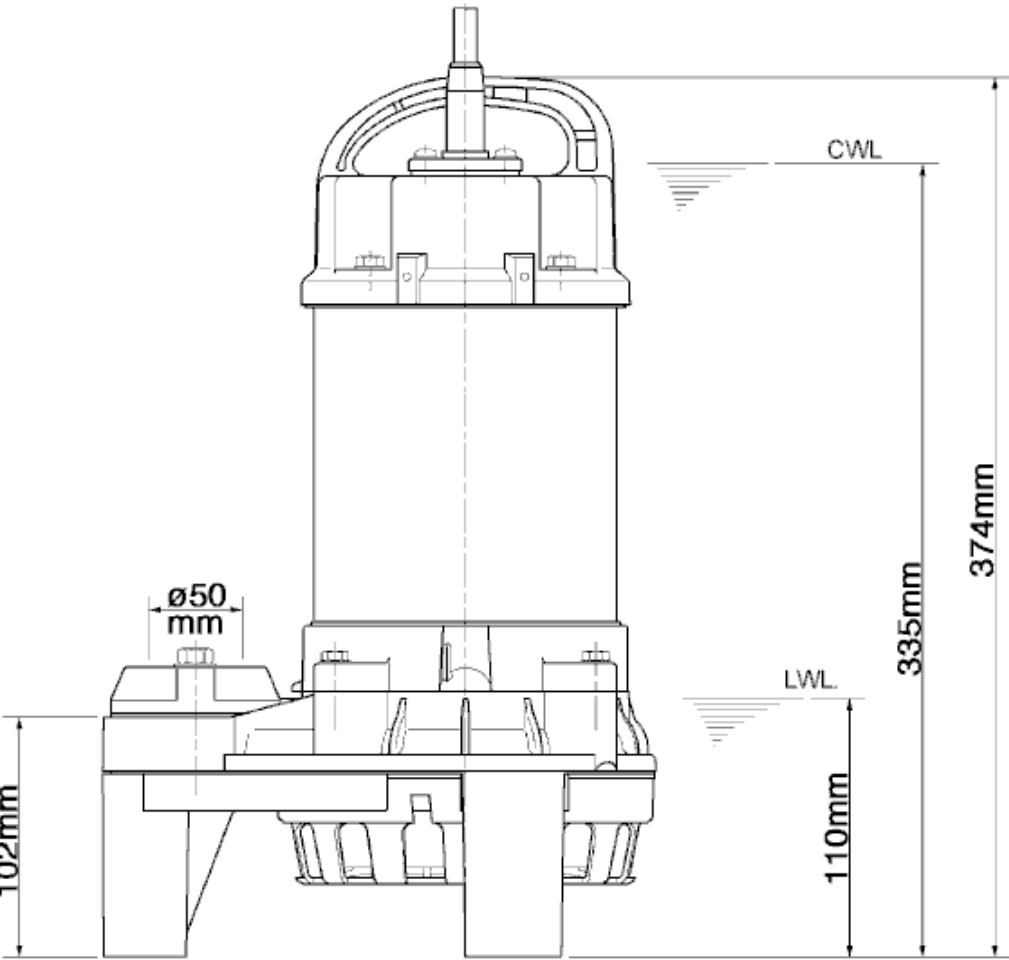
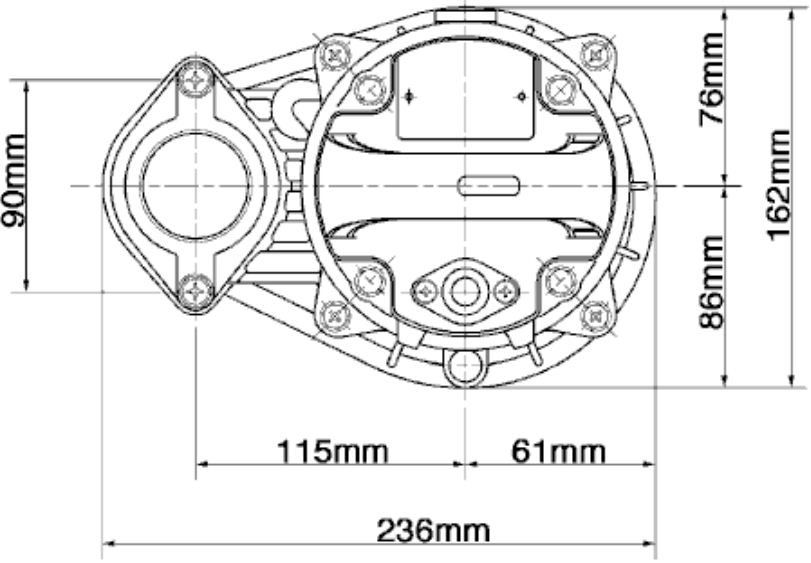
50TM2.75-53

Discharge port	2"
Head	15,2 m
Flow	21,0 m ³ /h
Rated power	0,75 kW
Power input	0,96 kW
Phases	3~
Voltages	400 V
Frequency	50 Hz
Rated current	1,9 A
Starting current	8,49 A
Number of poles	2
Speed	2.816 1/min
Starting mode	Direct starting
Insulation class	E



Dimensions

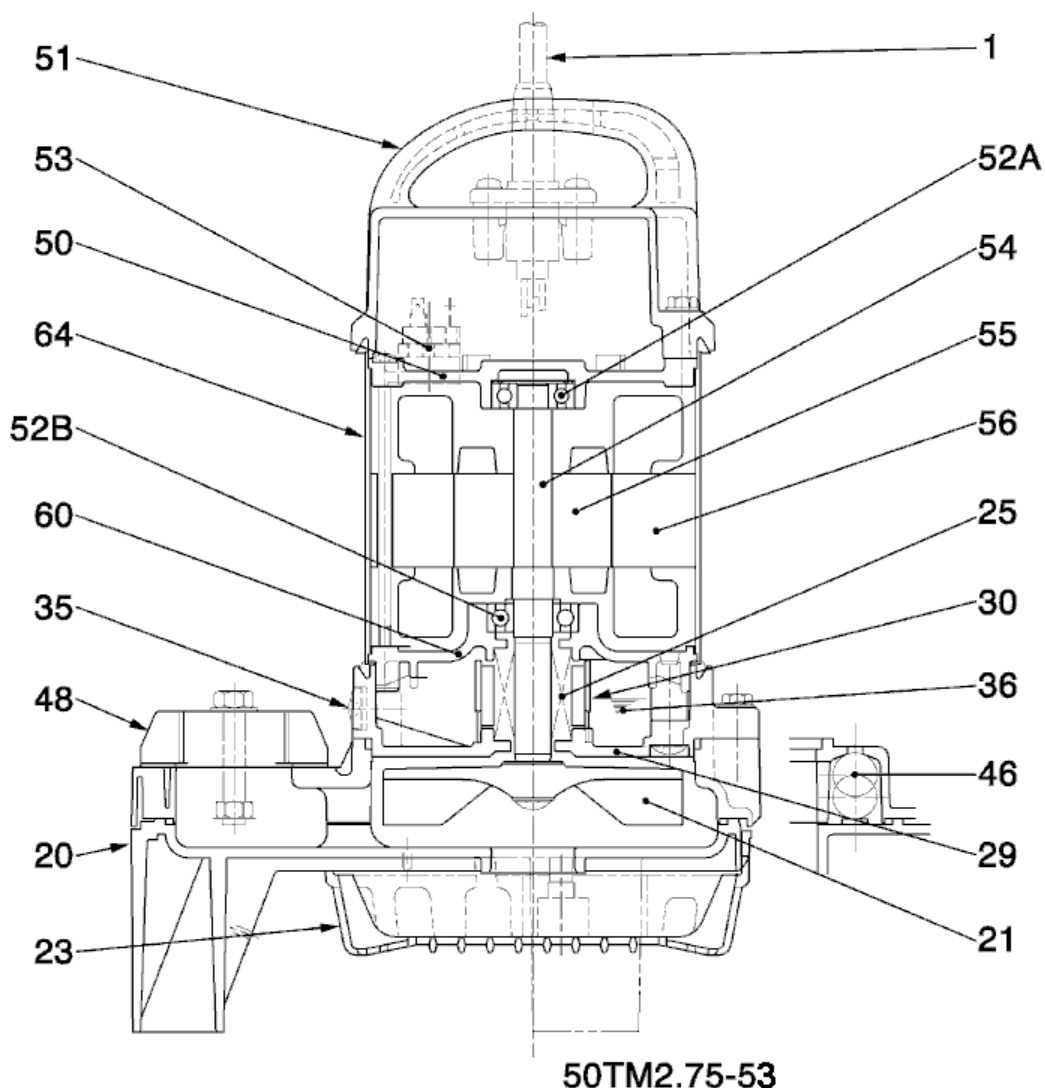
50TM2.75-53



50TM2.75-53

CWL: Continuous running water level
LWL: Lowest running water level

Sectional drawing 50TM2.75-53



No.	Description	Remark	No.	Description	Remark
1	Cable	H07RN-F	54	Shaft	Titanium
20	Pump casing	ABS-GF20	55	Rotor	.
21	Impeller	PPO-GF20	56	Stator	.
23	Strainer	ABS	60	Bearing Housing	ADC12 Aluminium die casting
25	Mechanical seal	W-14HL	64	Motor Frame	Titanium
29	Oil casing	PPS-GF40			
30	Oil distributor	Plastic			
35	Oil screw	Titanium			
36	Lubricant	white oil (ISO VG32)			
46	Air vent valve	Glass bead			
48	Screwed Flange	Polycarbonate			
50	Motor cover	ADC12 Aluminium die casting			
51	Main cover	PPO+PPS -GF40			
52A	Upper bearing	6201ZZC3			
52B	Lower bearing	6302ZZC3			
53	Motor Protector 380/400/415V-50Hz	KA314-HRXL00 (H.C)			