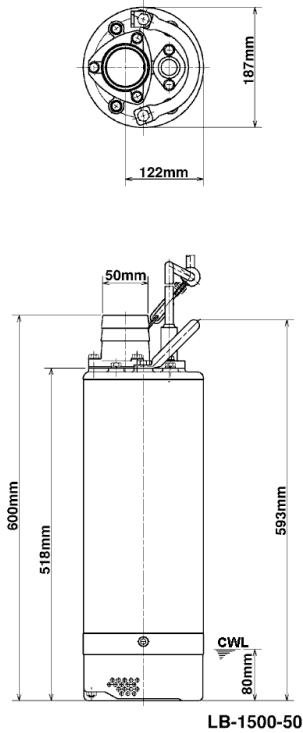
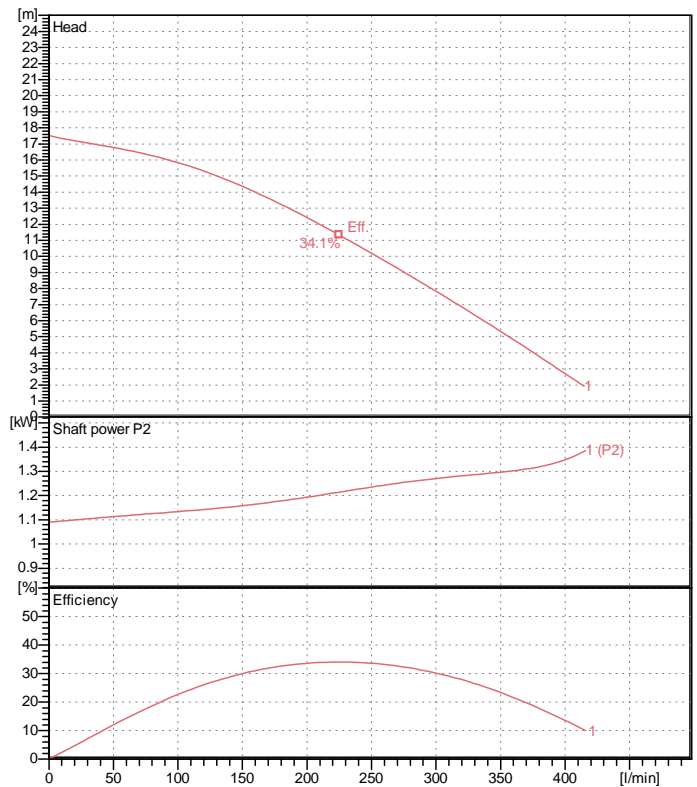


# Data sheet LB-1500-50



CWL: Continuous running water level



## Specification

Electric submersible pump  
 Degree of protection IP 68  
 Depth of submersion max. 25 m  
 Type of impeller semi-vortex  
 Max. solid handling 6 mm  
 Suitable for:  
 spring-/rain-/font water, water containing sand

## Electric motor

Dry-type submersible induction motor  
 Insulation class B 2Poles 2900 1/min  
 Starting mode Directly  
 Rated voltage 230 V 50 Hz 1~  
 Power uptake 2.68 kW  
 Rated power 1.50 kW  
 Rated current 15.4 A  
 Start current 65.0 A

## Cable

10m H07RN-F 3Cx2,5mm<sup>2</sup>

## Motor Protection

Circle thermal protector  
 (snap-action bi-metal device)

## Shaft seal

Double inside mechanical seal in oil bath  
 additional lubrication by oil lifting device

Primary seal

Silicon carbide on silicon carbide

Secondary seal

Silicon carbide on silicon carbide

## Bearings

Shielded ball bearings, maintenance-free

## Materials

Impeller	Chromium iron casting
Pump casing	BR + Natural Rubber
Motor Frame	Aluminium die casting
Shaft	SUS403 (EN-X6Cr13)

## Discharge size

2" (50mm) BS-Coupling (threaded flange)

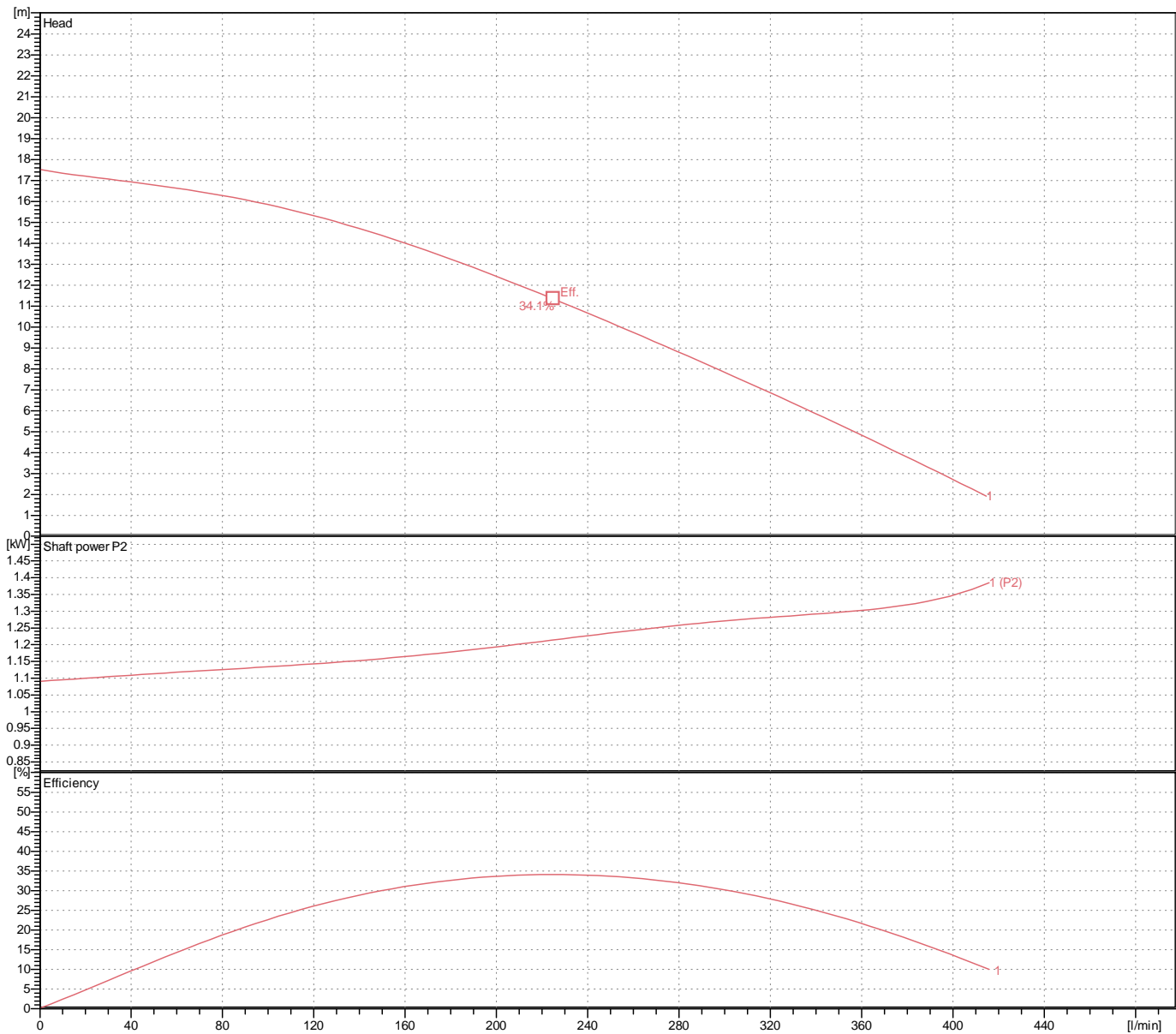
## Weight

33 kg (dry weight of the pump only without cable)

# Performance curve

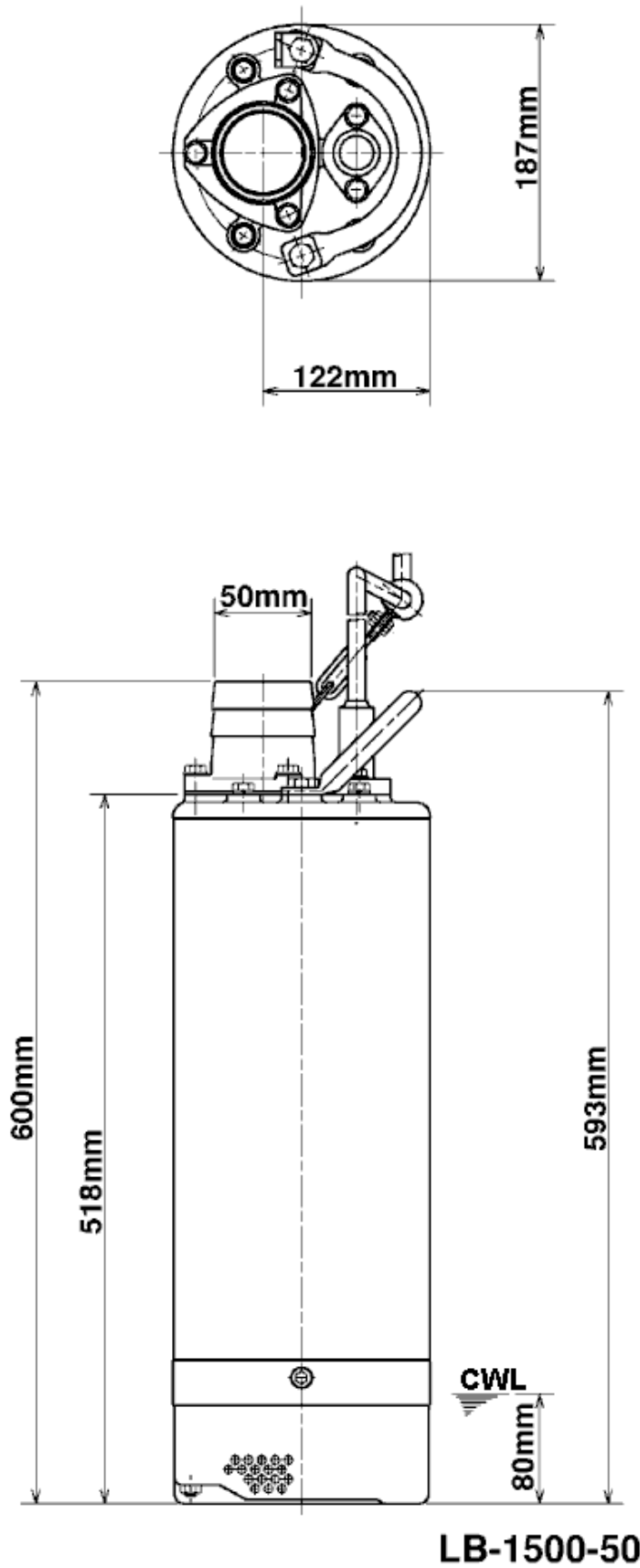
## LB-1500-50

Discharge port	2"
Head	17.5 m
Flow	414.6 l/min
Rated power	1.50 kW
Power input	2.68 kW
Phases	1~
Voltages	230 V
Frequency	50 Hz
Rated current	15.4 A
Starting current	64.99 A
Number of poles	2
Speed	2900 1/min
Starting mode	Directly
Insulation class	B



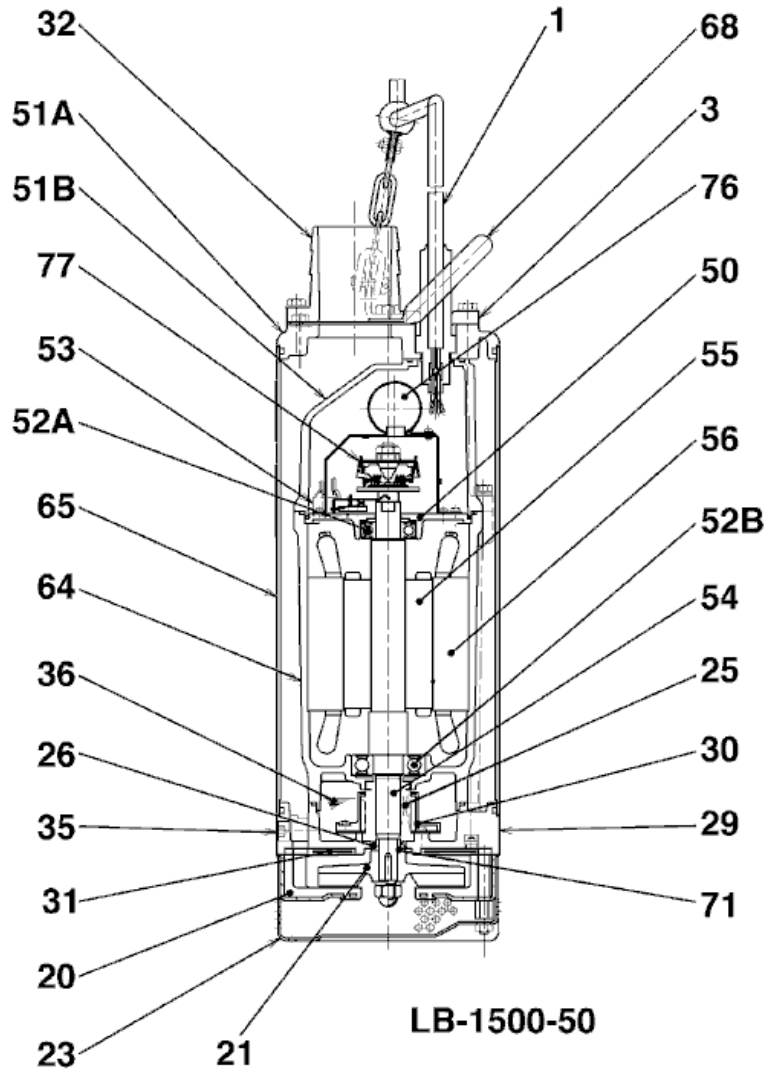
# Dimensions

## LB-1500-50



CWL: Continuous running water level  
LWL: Lowest running water level

# Sectional drawing LB-1500-50



No.	Description	Remark	No.	Description	Remark
1	Cable	H07RN-F	52A	Upper bearing	6204ZZC3
3	Gland	Aluminium die casting	52B	Lower bearing	6305ZZC3
20	Pump casing	BR + Natural Rubber	53	Miniature protector	.
21	Impeller	Chromium iron casting	54	Shaft	SUS403 (EN-X6Cr13)
23	Strainer	Steel plate	55	Rotor	.
25	Mechanical seal	H-20T	56	Stator	.
26	V-ring	NBR	64	Motor Frame	Aluminium die casting
29	Oil casing	Grey iron casting	65	Outer Cover	Steel plate
30	Oil distributor	Plastic	68	Handle	Carbon steel
31	Attrition plate	BR + Natural Rubber	71	Shaft protection sleeve	SUS304 (EN-X5CrNi18-10)
32	Discharge coupling	Aluminium die casting	76	Condenser	.
35	Oil screw	SUS304 (EN-X5CrNi18-10)	77	Centrifugal force switch	.
36	Lubricant	Turbine oil (ISO VG32)			
50	Main cover	Steel plate			
51A	Main cover	Aluminium die casting			
51B	Motor cover	Aluminium die casting			