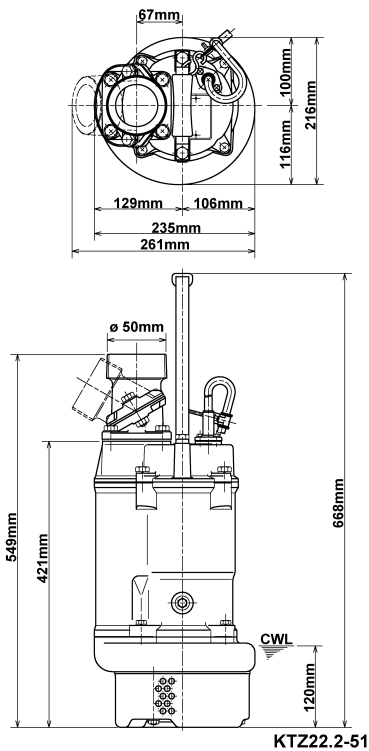
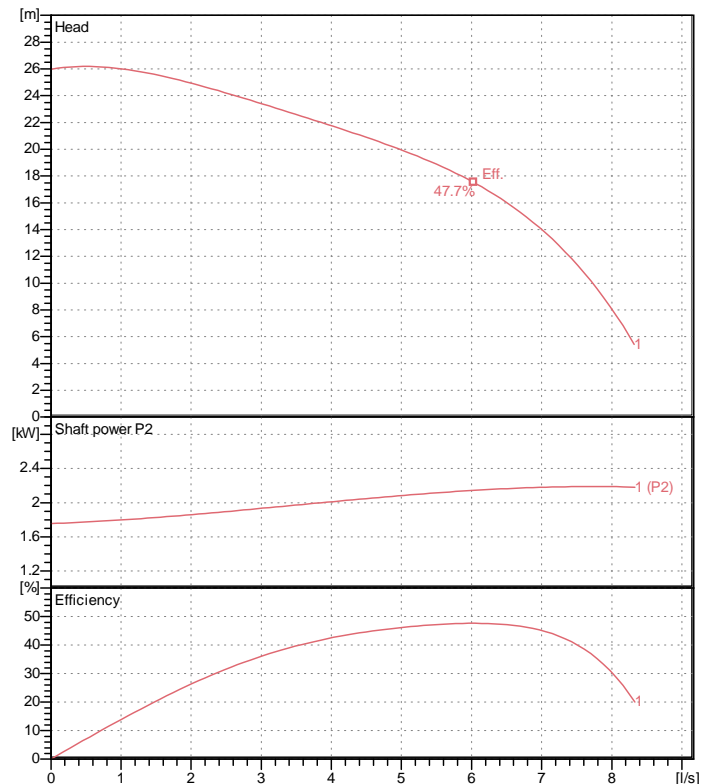


# Data sheet KTZ22.2-51



CWL: Continuous running water level



## Specification

Electric submersible pump  
 Degree of protection IP 68  
 Depth of submersion max. 25 m  
 Type of impeller Semi-open  
 Max. solid handling 8.5 mm  
 Suitable for:  
 spring-/rain-/waste-/ground water, water containing sand

## Electric motor

Dry-type submersible induction motor  
 Insulation class F 2Poles 2840 1/min  
 Starting mode Directly  
 Rated voltage 400 V 50 Hz 3~  
 Power uptake 3.15 kW  
 Rated power 2.20 kW  
 Rated current 5 A  
 Start current 34.0 A

## Cable

20m NSSHÖU 4Cx1,5mm<sup>2</sup>

## Motor Protection

Circle thermal protector  
 (snap-action bi-metal device)

## Shaft seal

Double inside mechanical seal in oil bath  
 additional lubrication by oil lifting device

Primary seal  
 Silicon carbide on silicon carbide  
 Secondary seal  
 Silicon carbide on silicon carbide

## Bearings

Shielded ball bearings, maintenance-free

## Materials

|               |                       |
|---------------|-----------------------|
| Impeller      | Chromium Iron HiCrFC  |
| Pump casing   | FC200 (EN-GJL-200)    |
| Suction cover | FCD50 (EN-GJS-500-7)  |
| Motor Frame   | FC150 (EN-GJL-150)    |
| Shaft         | SUS420J2 (EN-X30Cr13) |

## Discharge size

2" (50mm) BS-Coupling (threaded flange)

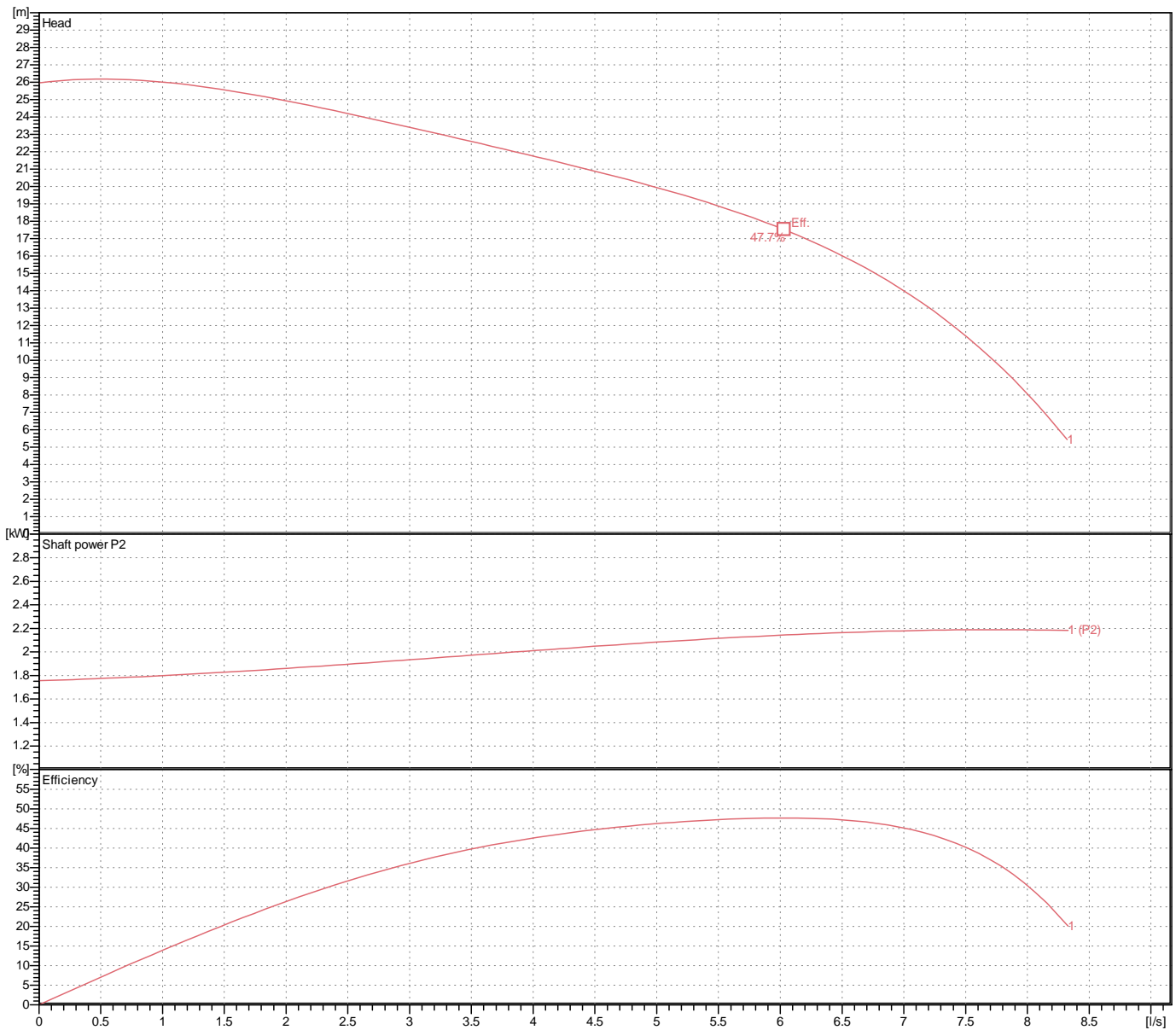
## Weight

36 kg (dry weight of the pump only without cable)

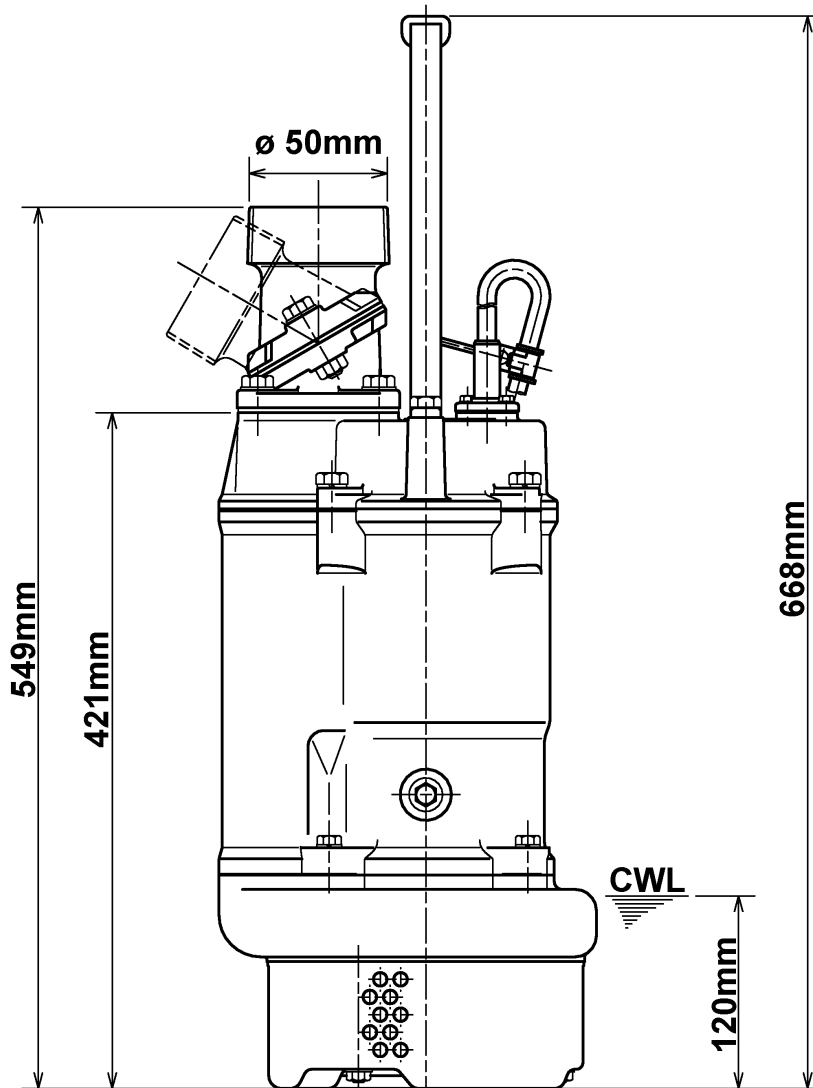
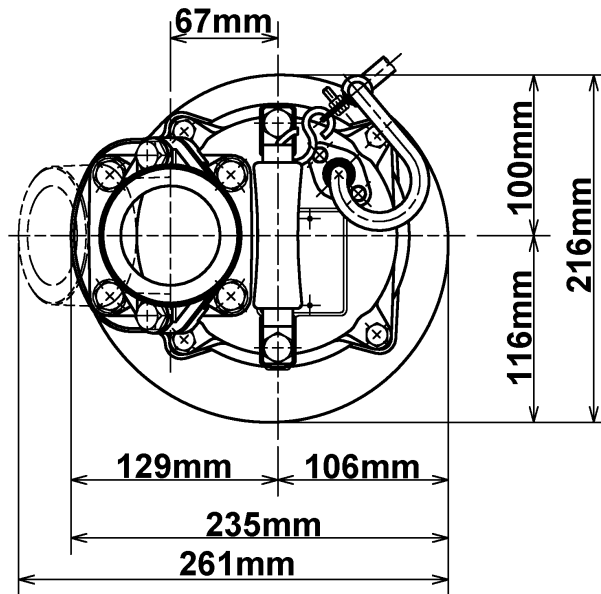
# Performance curve

## KTZ22.2-51

|                  |            |
|------------------|------------|
| Discharge port   | 2"         |
| Head             | 26.0 m     |
| Flow             | 8.3 l/s    |
| Rated power      | 2.20 kW    |
| Power input      | 3.15 kW    |
| Phases           | 3~         |
| Voltages         | 400 V      |
| Frequency        | 50 Hz      |
| Rated current    | 5 A        |
| Starting current | 34.00 A    |
| Number of poles  | 2          |
| Speed            | 2840 1/min |
| Starting mode    | Directly   |
| Insulation class | F          |



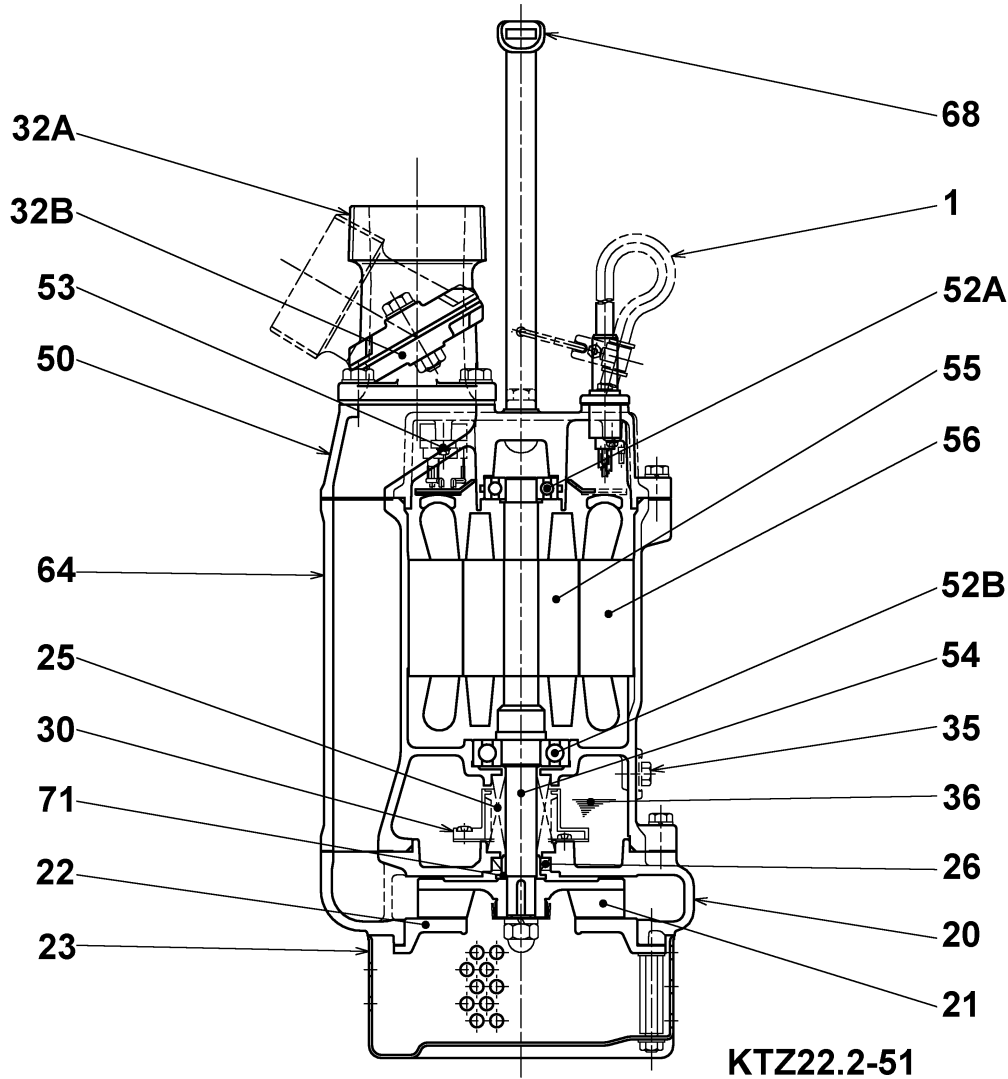
# Dimensions KTZ22.2-51



**KTZ22.2-51**

CWL: Continuous running water level  
LWL: Lowest running water level

# Sectional drawing KTZ22.2-51



| No. | Description                  | Remark                  | No. | Description             | Remark                  |
|-----|------------------------------|-------------------------|-----|-------------------------|-------------------------|
| 1   | Cable                        | 20m NSSHÖU              | 55  | Rotor                   | .                       |
| 20  | Pump casing                  | FC200 (EN-GJL-200)      | 56  | Stator                  | .                       |
| 21  | Impeller                     | Chromium Iron HiCrFC    | 64  | Motor Frame             | FC150 (EN-GJL-150)      |
| 22  | Suction cover                | FCD50 (EN-GJS-500-7)    | 68  | Handle                  | Steelplate and rubber   |
| 23  | Strainer                     | Steel plate             | 71  | Shaft protection sleeve | SUS304 (EN-X5CrNi18-10) |
| 25  | Mechanical seal              | H-20T                   |     |                         |                         |
| 26  | Oil seal                     | TC25388                 |     |                         |                         |
| 30  | Oil distributor              | Plastic                 |     |                         |                         |
| 32  | Discharge coupling           | Aluminium die casting   |     |                         |                         |
| 35  | Oil screw                    | SUS304 (EN-X5CrNi18-10) |     |                         |                         |
| 36  | Lubricant                    | Turbine oil (ISO VG32)  |     |                         |                         |
| 50  | Main cover                   | FC150 (EN-GJL-150)      |     |                         |                         |
| 52A | Upper bearing                | 6204ZZC3                |     |                         |                         |
| 52B | Lower bearing                | 6305ZZC3                |     |                         |                         |
| 53  | Motor Protector 380/400/415V | 50Hz KA314-HRXL00 (H.C) |     |                         |                         |
| 54  | Shaft                        | SUS420J2 (EN-X30Cr13)   |     |                         |                         |