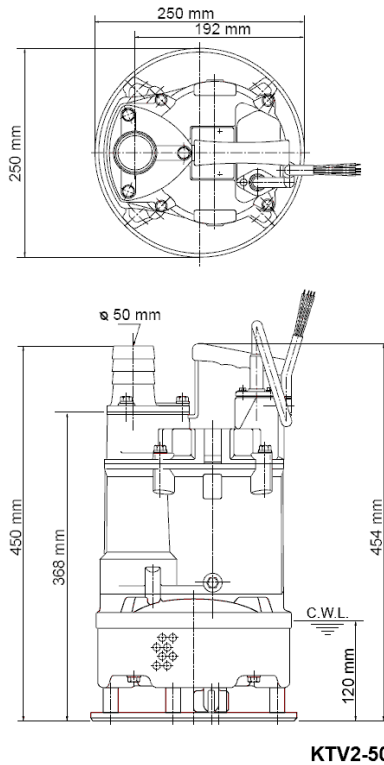
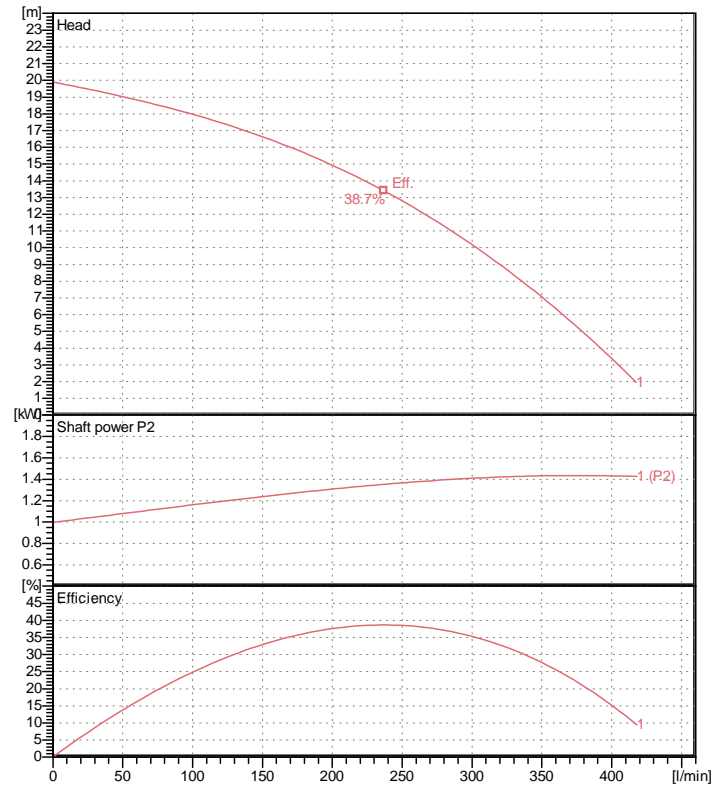


# Data sheet KTV2-50



CWL: Continuous running water level



## Specification

Electric submersible pump  
 Degree of protection IP 68  
 Depth of submersion max. 25 m  
 Type of impeller semi-vortex  
 Max. solid handling 10 mm  
 Suitable for:  
 sludge, slurry, waste water

## Electric motor

Dry-type submersible induction motor  
 Insulation class E 2Poles 2870 1/min  
 Starting mode Directly  
 Rated voltage 400 V 50 Hz 3~  
 Power uptake 2.33 kW  
 Rated power 2.00 kW  
 Rated current 3.8 A  
 Start current 30.0 A

## Cable

20m NSSHÖU 4Cx1,5mm<sup>2</sup>

## Motor Protection

Circle thermal protector  
 (snap-action bi-metal device)

## Shaft seal

Double inside mechanical seal in oil bath  
 additional lubrication by oil lifting device

Primary seal

Silicon carbide on silicon carbide

Secondary seal

Silicon carbide on silicon carbide

## Bearings

Shielded ball bearings, maintenance-free

## Materials

Impeller	Chromium iron casting
Agitator	FCD700 (EN-GJS-700-2)
Pump casing	Synthetic rubber
Motor Frame	Aluminium alloy casting
Shaft	SUS403 (EN-X6Cr13)

## Discharge size

2" (50mm) BS-Coupling (threaded flange)

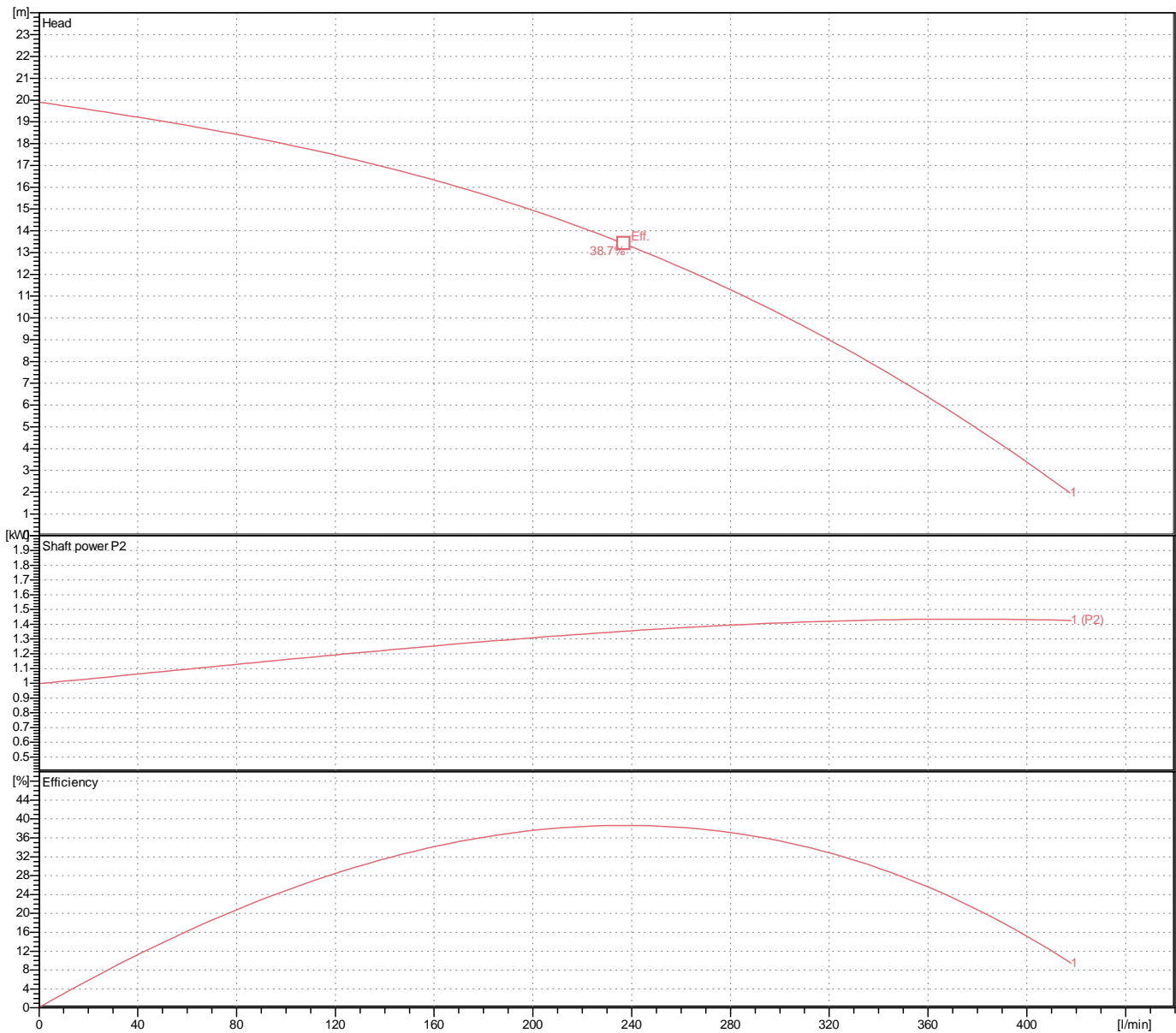
## Weight

25 kg (dry weight of the pump only without cable)

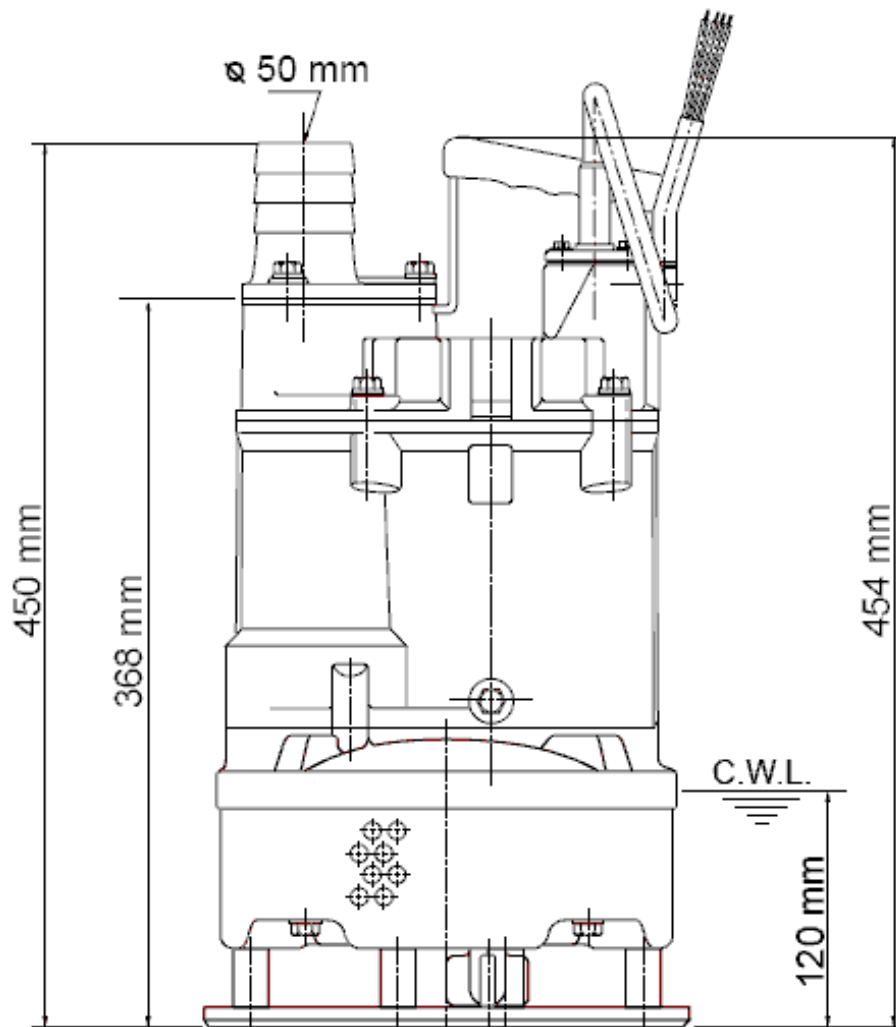
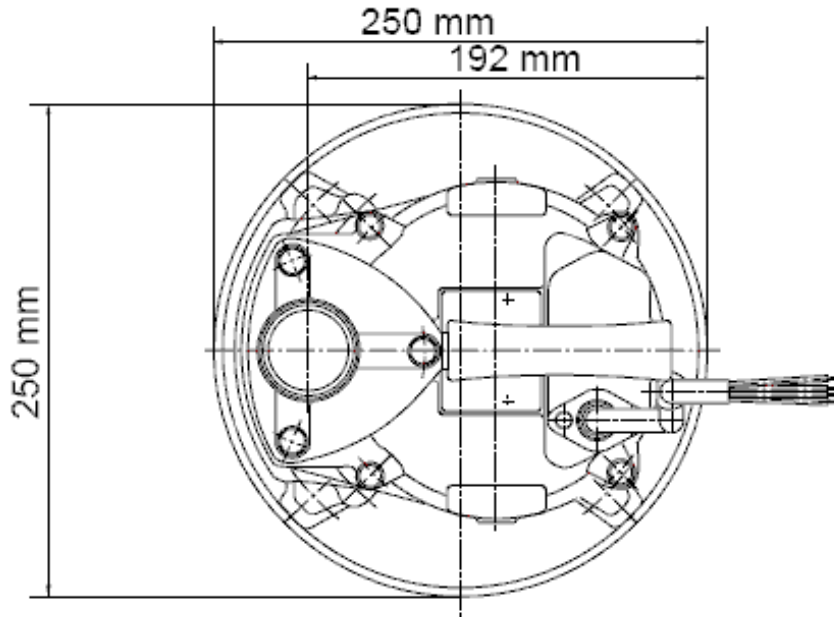
# Performance curve

## KTV2-50

Discharge port	2"
Head	19.9 m
Flow	417.5 l/min
Rated power	2.00 kW
Power input	2.33 kW
Phases	3~
Voltages	400 V
Frequency	50 Hz
Rated current	3.8 A
Starting current	29.98 A
Number of poles	2
Speed	2870 1/min
Starting mode	Directly
Insulation class	E



# Dimensions KTV2-50



**KTV2-50**

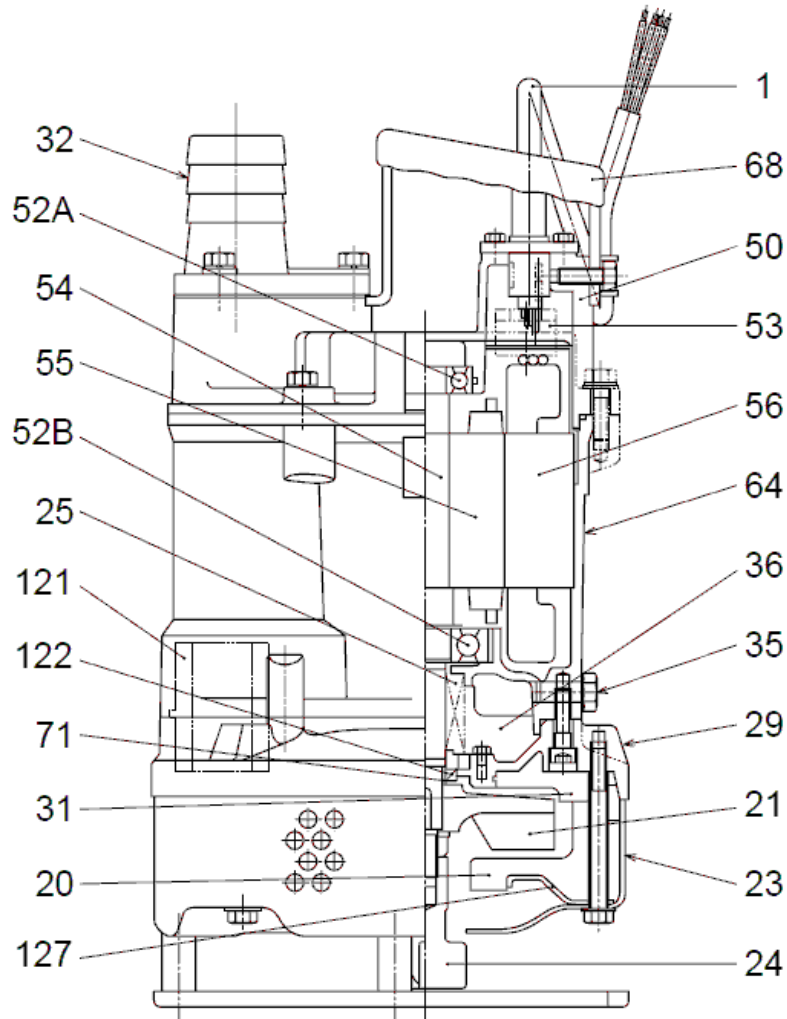
CWL: Continuous running water level  
LWL: Lowest running water level

 **TSURUMI PUMP**

Tsurumi Europe GmbH  
29.11.2017 V.18 / 1.10.2015

Helstorfer Str. 14 \* 40472 Düsseldorf \* Germany  
Tel.: +49-211-4179373 sales@tsurumi.eu  
Fax: +49-211-417937-480 www.tsurumi.eu

# Sectional drawing KTV2-50



**KTV2-50**

No.	Description	Remark	No.	Description	Remark
1	Cable	20m NSSHÖU	55	Rotor	.
20	Pump casing	Synthetic rubber	56	Stator	.
21	Impeller	Chromium iron casting	64	Motor Frame	Aluminium alloy casting
23	Strainer	Steel plate	68	Handle	Steelplate + butadieneacrylnitrilerubber
24	Agitator	FCD700 (EN-GJS-700-2)	71	Shaft protection sleeve	SUS304 (EN-X5CrNi18-10)
25	Mechanical seal	H-20T	121	Wear protection	Synthetic rubber
29	Oil casing	Aluminium alloy casting	122	V-ring	Butadieneacrylnitrilerubber
31	Attrition plate	Synthetic rubber	127	Pressure plate	Steel plate
32	Discharge coupling	Aluminium alloy casting			
35	Oil screw	SUS304 (EN-X5CrNi18-10)			
36	Lubricant	Turbine oil (ISO VG32)			
50	Main cover	Aluminium alloy casting			
52A	Upper bearing	6204ZZC3			
52B	Lower bearing	6305ZZC3			
53	Motor Protector 380/400/415V	50Hz KA314-HRXL00 (H.C)			
54	Shaft	SUS403 (EN-X6Cr13)			