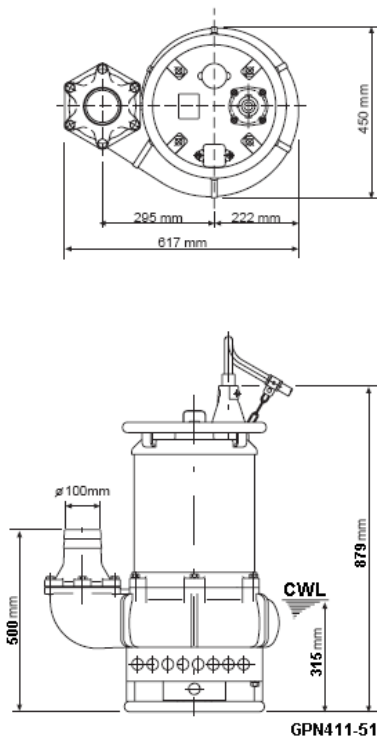
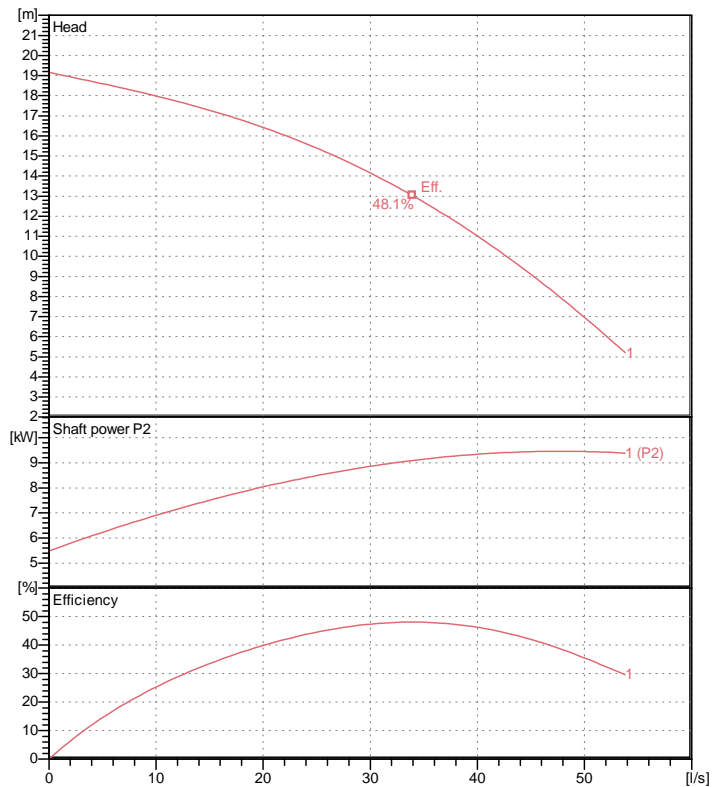


# Data sheet GPN411-51



CWL: Continuous running water level



## Specification

Electric submersible pump  
 Degree of protection IP 68  
 Depth of submersion max. 20 m  
 Type of impeller Open  
 Max. solid handling 30 mm  
 Suitable for:  
 sludge, slurry, liquids containing sand

## Electric motor

Dry-type submersible induction motor  
 Insulation class B 4Poles 1450 1/min  
 Starting mode Directly  
 Rated voltage 400 V 50 Hz 3~  
 Power uptake 13.21 kW  
 Rated power 11.00 kW  
 Rated current 22 A  
 Start current 163.0 A

## Cable

20m NSSHÖU 4Cx4mm<sup>2</sup>

## Motor Protection

Circle thermal protector  
 (snap-action bi-metal device)

## Shaft seal

Double inside mechanical seal in oil bath  
 additional lubrication by oil lifting device

Primary seal  
 Silicon carbide on silicon carbide  
 Secondary seal  
 SUS420J2 (EN-X30Cr13)

## Bearings

Shielded ball bearings, maintenance-free

## Materials

Impeller	Chromium iron casting
Agitator	Chromium iron casting
Pump casing	FC200 (EN-GJL-200)
Suction cover	FC200 (EN-GJL-200)
Motor Frame	FC150 (EN-GJL-150)
Shaft	DIN 1.7220 (chromium molybdenum)

## Discharge size

4" (100mm) BS-coupling (threaded flange)

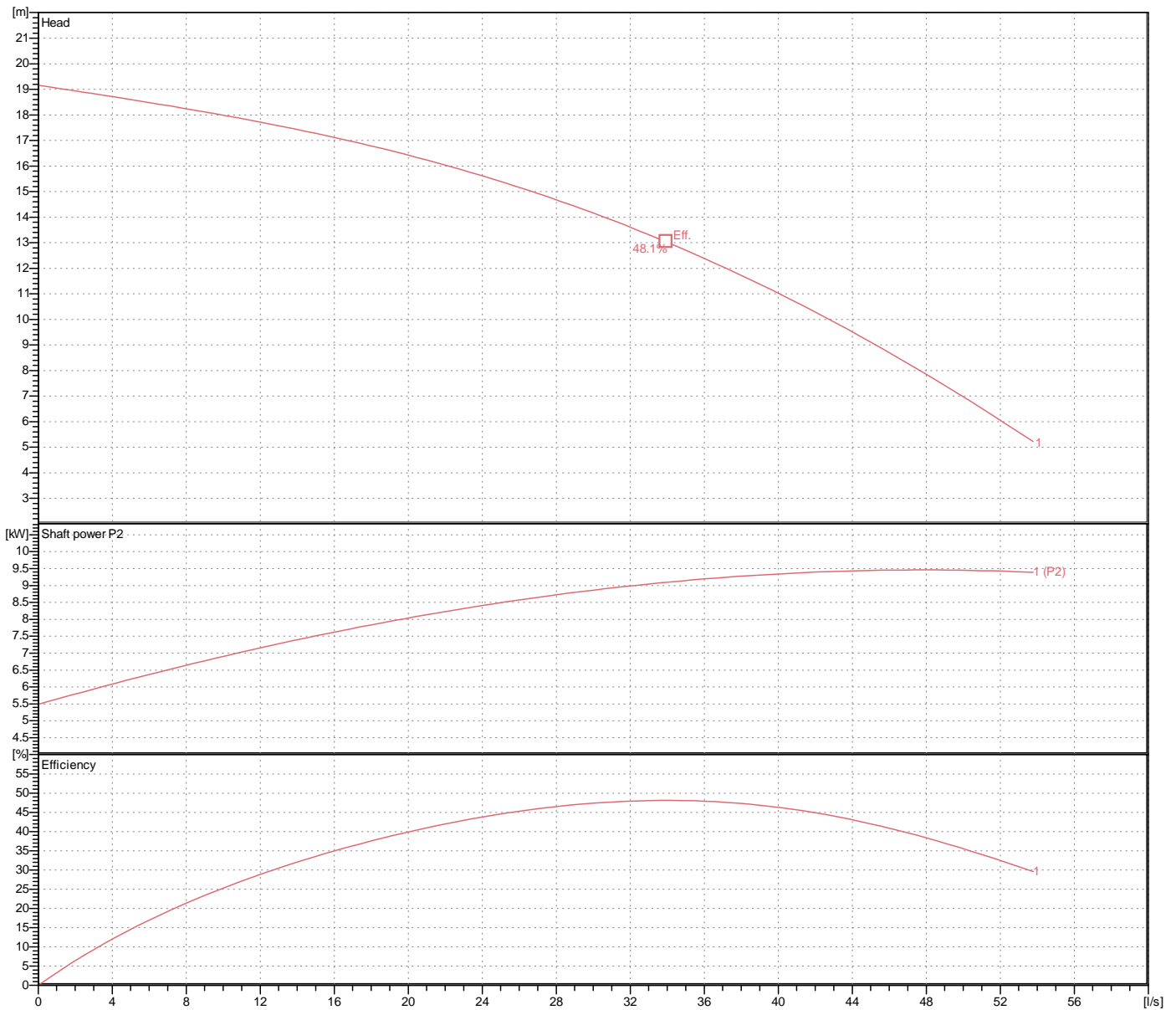
## Weight

217 kg (dry weight of the pump only without cable)

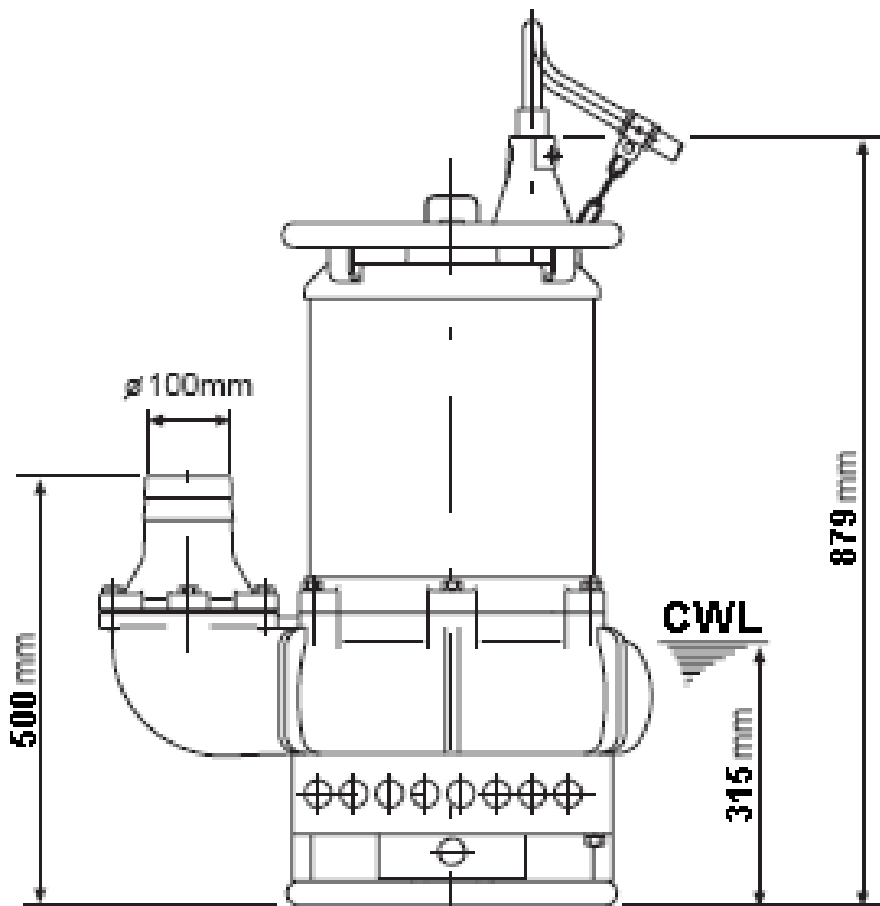
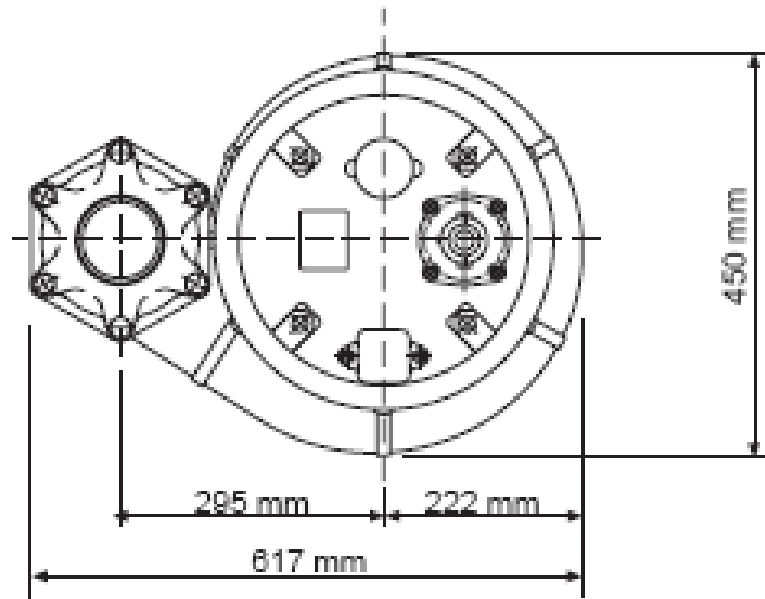
# Performance curve

## GPN411-51

Discharge port	4"
Head	19.2 m
Flow	53.8 l/s
Rated power	11.00 kW
Power input	13.21 kW
Phases	3~
Voltages	400 V
Frequency	50 Hz
Rated current	22 A
Starting current	163.02 A
Number of poles	4
Speed	1450 1/min
Starting mode	Directly
Insulation class	B



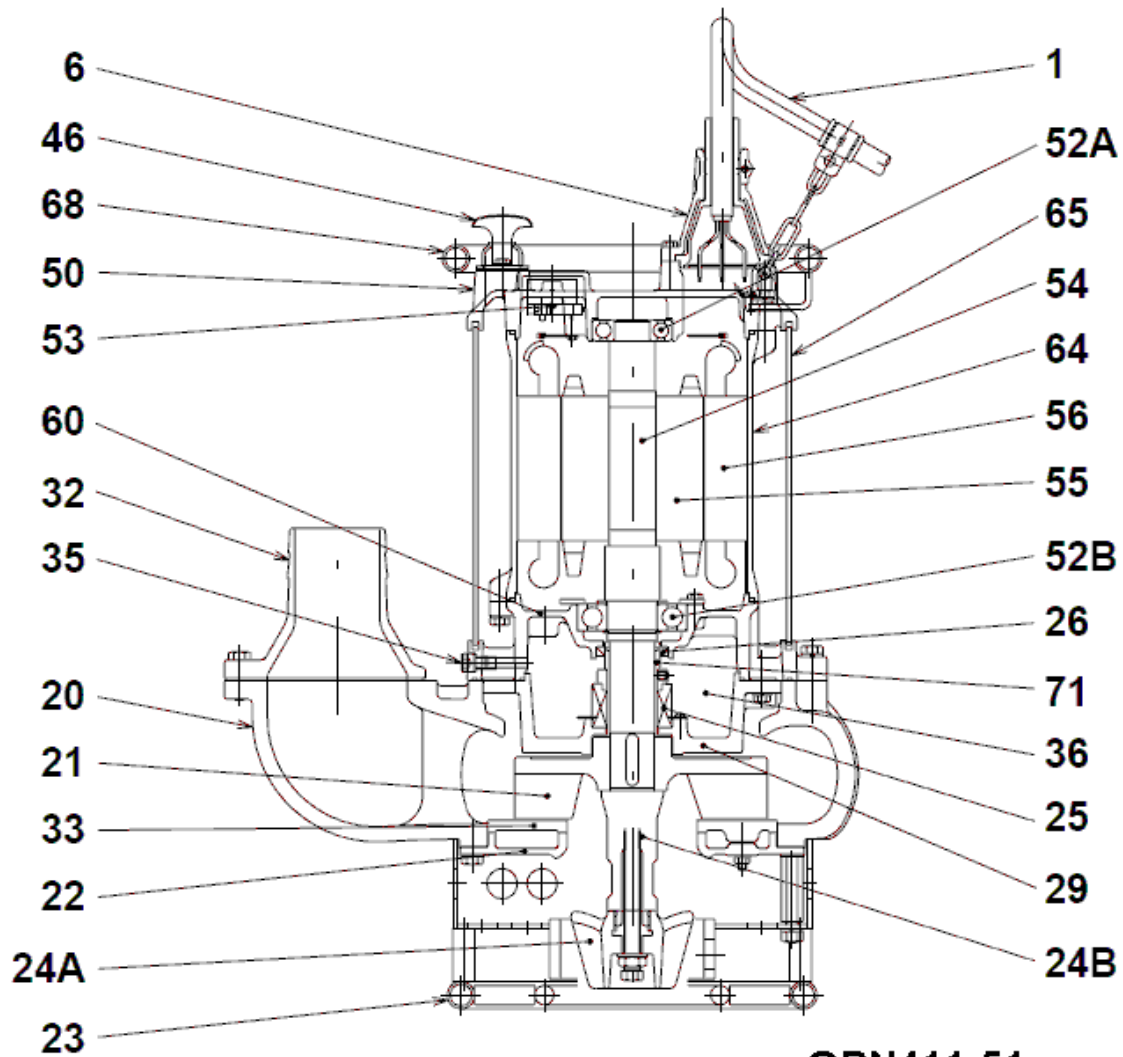
# Dimensions GPN411-51



**GPN411-51**

CWL: Continuous running water level  
LWL: Lowest running water level

# Sectional drawing GPN411-51



**GPN411-51**

No.	Description	Remark	No.	Description	Remark
1	Cable	20m NSSHÖU	52A	Upper bearing	6307ZZC3
6	Stuffing box	FC200 (EN-GJL-200)	52B	Lower bearing	6310ZZC3
20	Pump casing	FC200 (EN-GJL-200)	53	Motor Protector 380/400/415V-50Hz KA314-HRXL00 (H.C)	
21	Impeller	Chromium iron casting	54	Shaft	DIN 1.7220 (chromium molybdenum)
22	Suction cover	FC200 (EN-GJL-200)	55	Rotor	.
23	Strainer	Steel plate / steel pipe	56	Stator	.
24	Agitator	Chromium iron casting	60	Bearing Housing	FC150 (EN-GJL-150)
25	Mechanical seal	NH-50	64	Motor Frame	FC150 (EN-GJL-150)
26	Oil seal	TC-55729	65	Outer Cover	Construction steel SS400
29	Oil casing	FC200 (EN-GJL-200)	68	Handle	electroplated steel pipe
32	Discharge coupling	FC200 (EN-GJL-200)	71	Shaft protection sleeve	SUS304 (EN-X5CrNi18-10)
33	Suction cover	Chromium iron casting			
35	Oil screw	SUS304 (EN-X5CrNi18-10)			
36	Lubricant	Turbine oil (ISO VG32)			
46	Air vent valve	Steel plate			
50	Motor cover	FC150 (EN-GJL-150)			