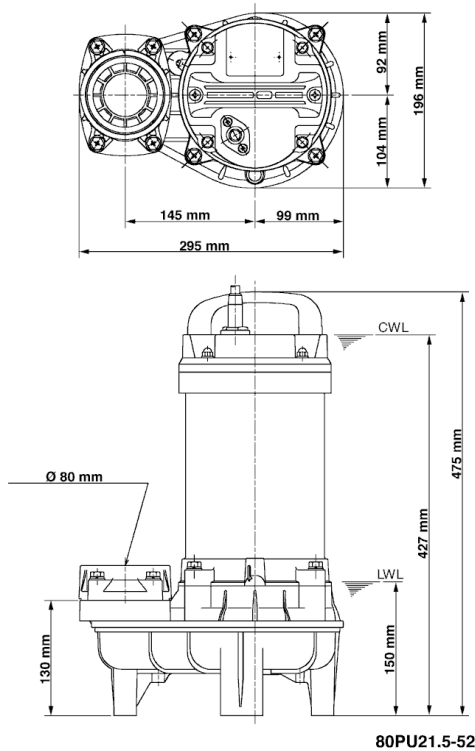
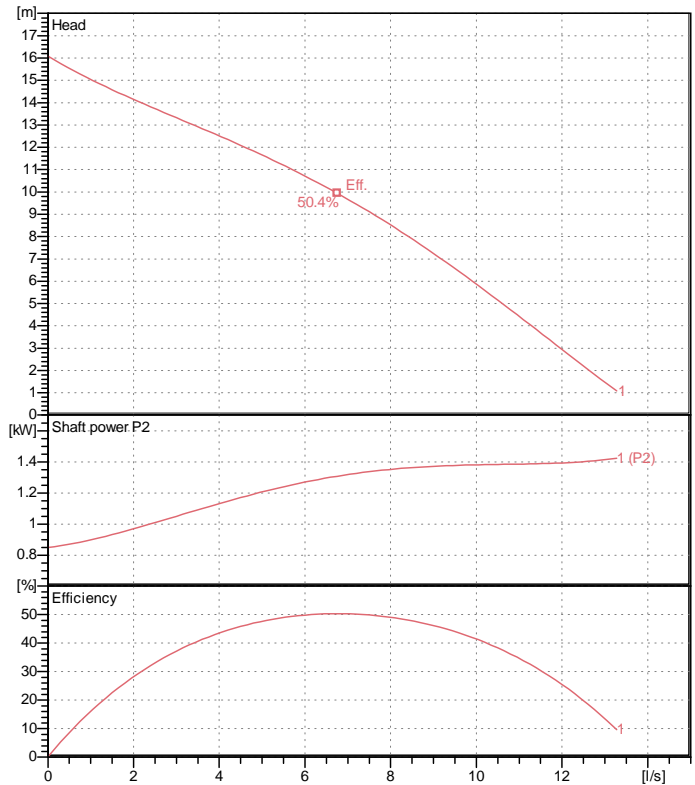


Data sheet 80PU21.5-52



80PU21.5-52

CWL: Continuous running water level
LWL: Lowest running water level



Specification

Electric submersible pump
Degree of protection IP 68
Depth of submersion max. 15 m
Type of impeller Vortex impeller
Free passage 46 mm
Suitable for:
sewage water, waste water, various waste water

Electric motor

Dry-type submersible induction motor
Insulation class E 2Poles 2885 1/min
Starting mode Directly
Rated voltage 400 V 50 Hz 3~
Power uptake 2.27 kW
Rated power 1.50 kW
Rated current 4 A
Start current 25.0 A

Cable

10m H07RN-F 4Cx1,5mm²

Motor Protection

Circle thermal protector
(snap-action bi-metal device)

Shaft seal

Double inside mechanical seal in oil bath
additional lubrication by oil lifting device

Primary seal
Silicon carbide on ceramic
Secondary seal
Ceramic on carbon

Bearings

Shielded ball bearings, maintenance-free

Materials

Impeller	PPO-GF20
Pump casing	ABS-GF20
Motor Frame	SUS304 (EN-X5CrNi18-10)
Shaft	SUS304 (EN-X5CrNi18-10)

Discharge size

80mm screwed-in mating flange

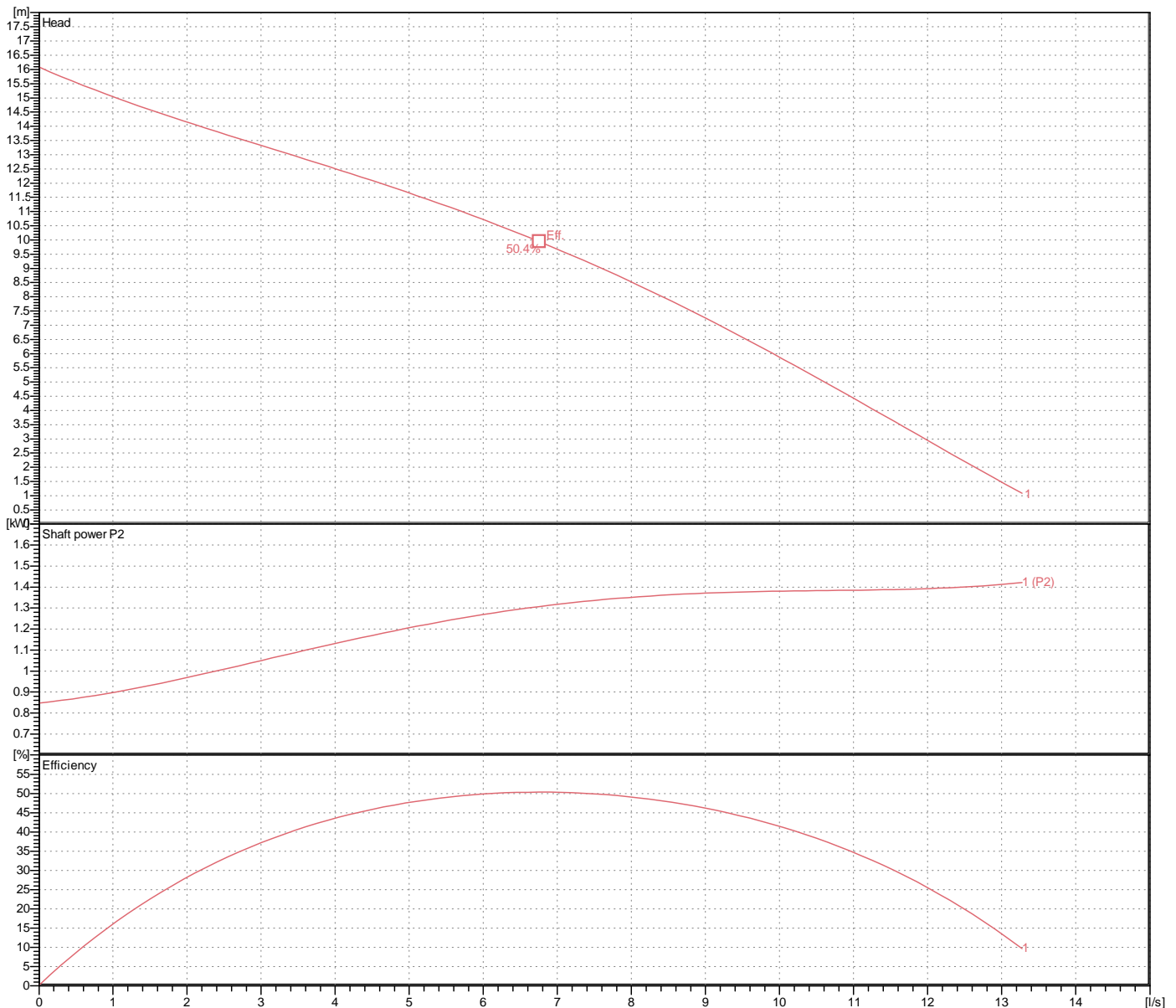
Weight

15.8 kg (dry weight of the pump only without cable)

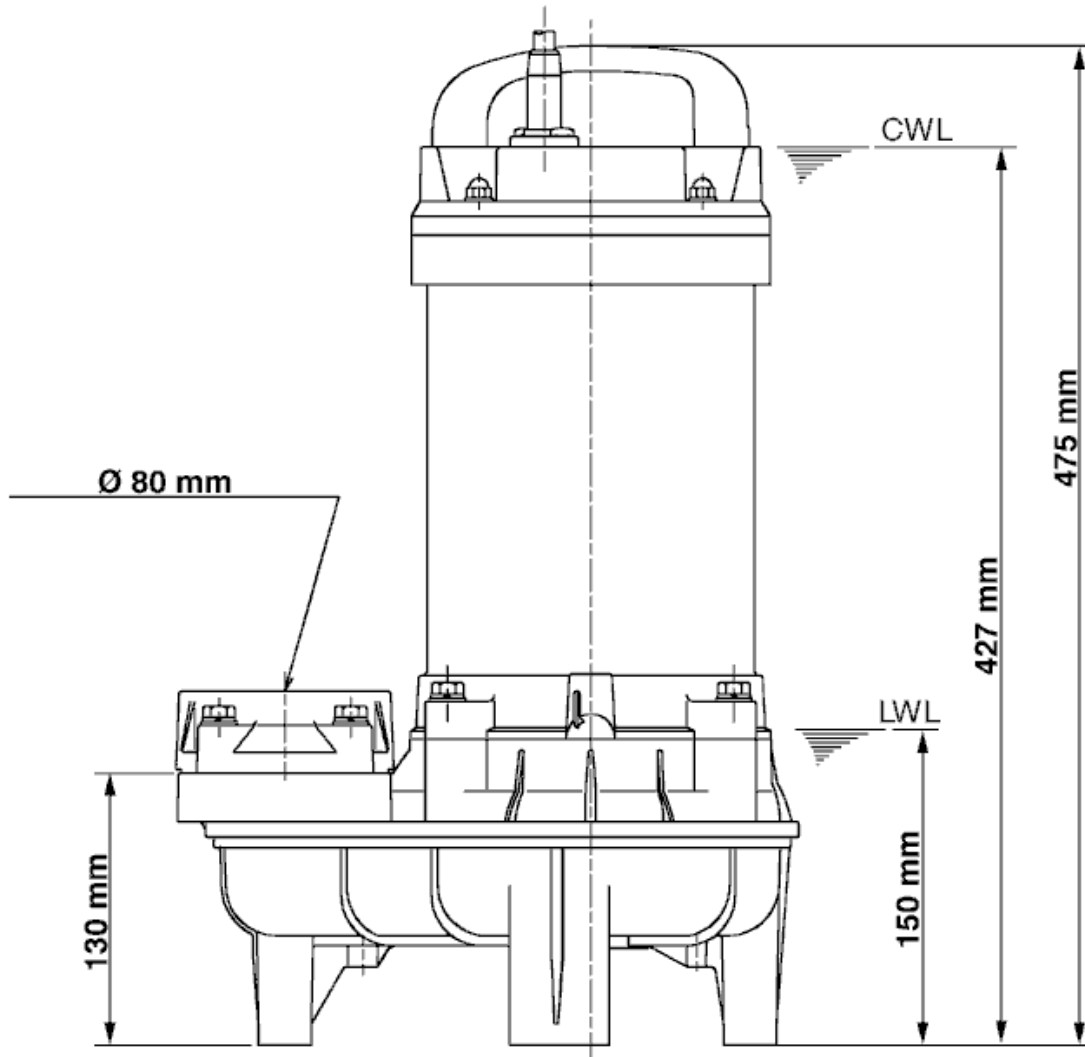
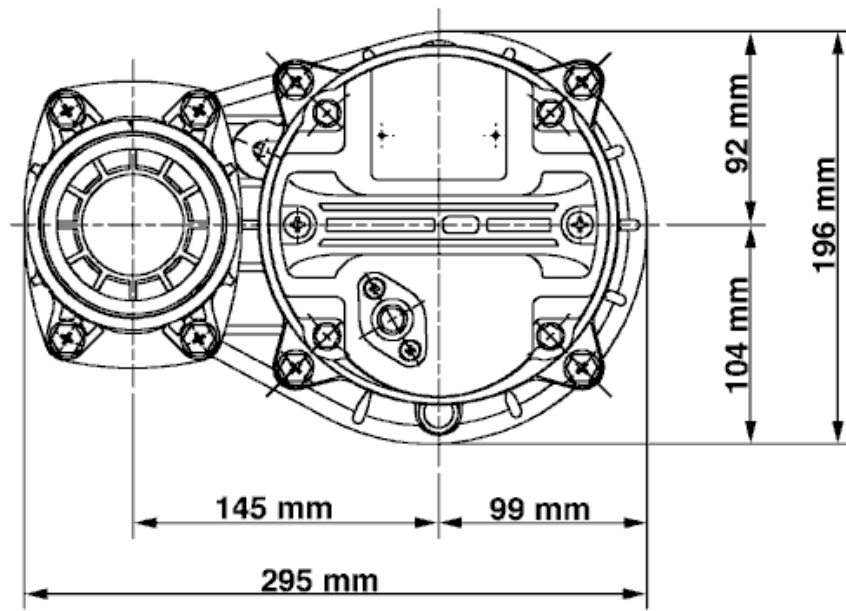
Performance curve

80PU21.5-52

Discharge port	3"
Head	16.1 m
Flow	13.3 l/s
Rated power	1.50 kW
Power input	2.27 kW
Phases	3~
Voltages	400 V
Frequency	50 Hz
Rated current	4 A
Starting current	25.00 A
Number of poles	2
Speed	2885 1/min
Starting mode	Directly
Insulation class	E



Dimensions 80PU21.5-52



80PU21.5-52

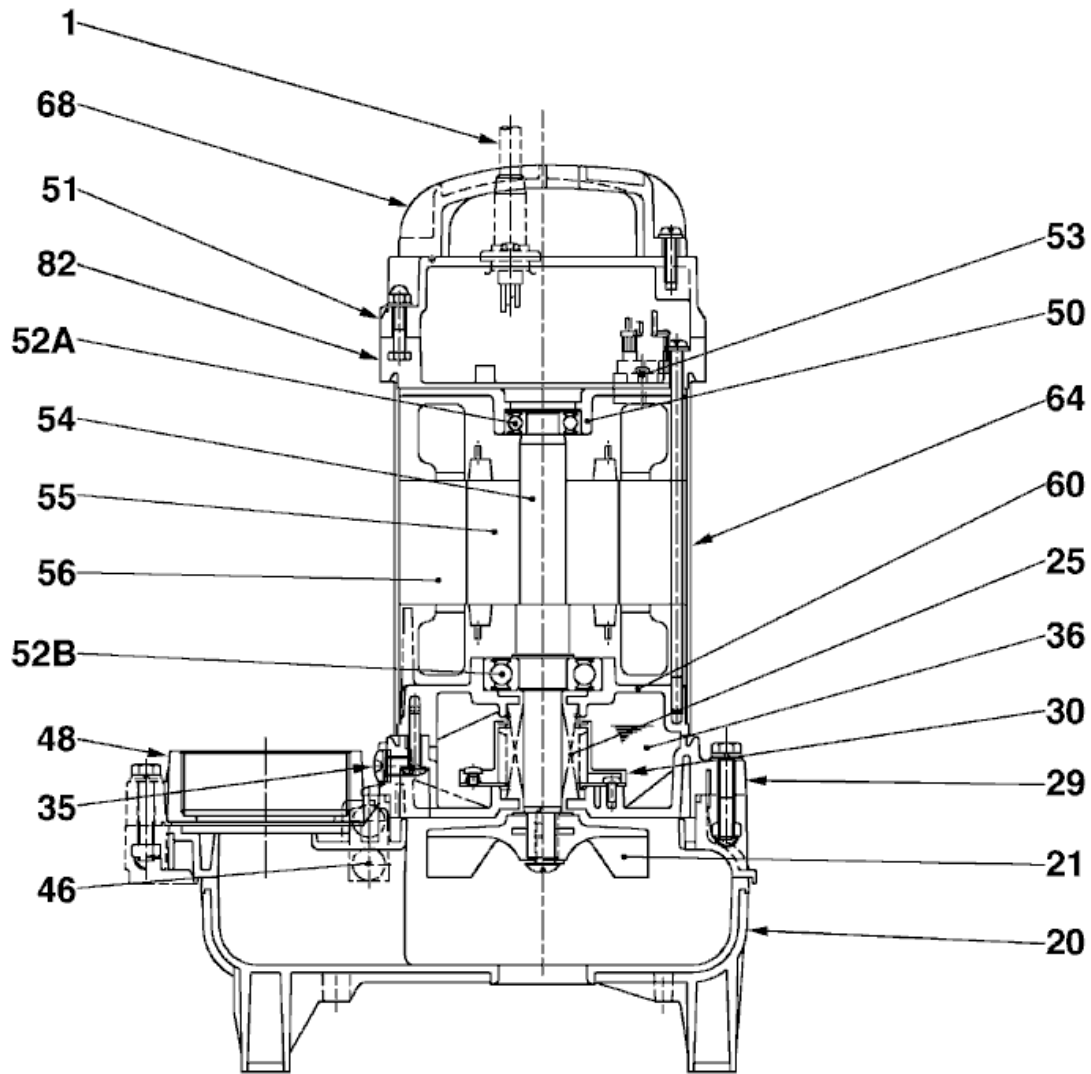
CWL: Continuous running water level
LWL: Lowest running water level



Tsurumi Europe GmbH
17.10.2018 V.18 / 1.10.2015

Heltorfer Str. 14 * 40472 Düsseldorf * Germany
Tel.: +49-211-4179373 sales@tsurumi.eu
Fax: +49-211-417937-480 www.tsurumi.eu

Sectional drawing 80PU21.5-52



80PU21.5-52

No.	Description	Remark	No.	Description	Remark
1	Cable	H07RN-F	55	Rotor	.
20	Pump casing	ABS-GF20	56	Stator	.
21	Impeller	PPO-GF20	60	Bearing Housing	Aluminium alloy casting
25	Mechanical seal	H-20A	64	Motor Frame	SUS304 (EN-X5CrNi18-10)
29	Oil casing	PPS-(GF+MD)50	68	Handle	Plastic
30	Oil distributor	Plastic	82	Intermediate cover	Kunststoff mit GF
35	Oil screw	SUS304 (EN-X5CrNi18-10)	85	Relais	.
36	Lubricant	Turbine oil (ISO VG32)	106	Float switch (2x)	ABS
46	Air vent valve	Glass bead	109	Support	PVC
48	Screwed Flange	PC(PBT-GF30)			
50	Motor cover	Aluminium alloy casting			
51	Main cover	Product overview			
52A	Upper bearing	6203ZZC3			
52B	Lower bearing	6305ZZC3			
53	Motor Protector 380/400/415V	50Hz KA314-HRXL00 (H.C)			
54	Shaft	SUS304 (EN-X5CrNi18-10)			