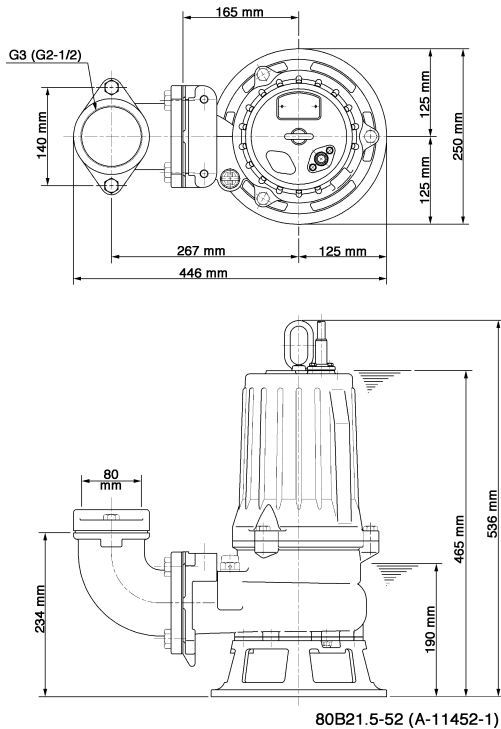
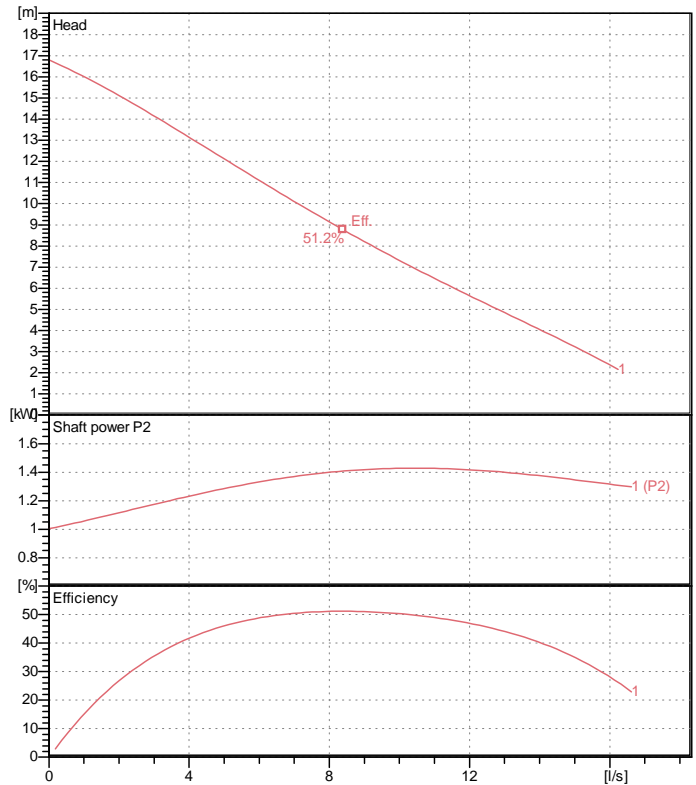


Data sheet 80B21.5-52



80B21.5-52 (A-11452-1)

CWL: Continuous running water level
LWL: Lowest running water level



Specification

Electric submersible pump
Degree of protection IP 68
Depth of submersion max. 15 m
Type of impeller Single channel impeller
Free passage 40 mm
Suitable for:
sewage water

Electric motor

Dry-type submersible induction motor
Insulation class F 2Poles 2840 1/min
Starting mode Directly
Rated voltage 400 V 50 Hz 3~
Power uptake 2.15 kW
Rated power 1.50 kW
Rated current 3.5 A
Start current 22.0 A

Cable

10m H07RN-F 4Cx1,5mm²

Motor Protection

Circle thermal protector
(snap-action bi-metal device)

Shaft seal

Double inside mechanical seal in oil bath
additional lubrication by oil lifting device

Primary seal
Silicon carbide on silicon carbide
Secondary seal
Ceramic on carbon

Bearings

Shielded ball bearings, maintenance-free

Materials

Impeller	FC200 (EN-GJL-200)
Pump casing	FC200 (EN-GJL-200)
Suction cover	FC200 (EN-GJL-200)
Motor Frame	FC150 (EN-GJL-150)
Shaft	DIN 1.4028 (EN-X30Cr13)

Discharge size

3" (80mm) special screwed-in mating flange
guide rail fitting optional

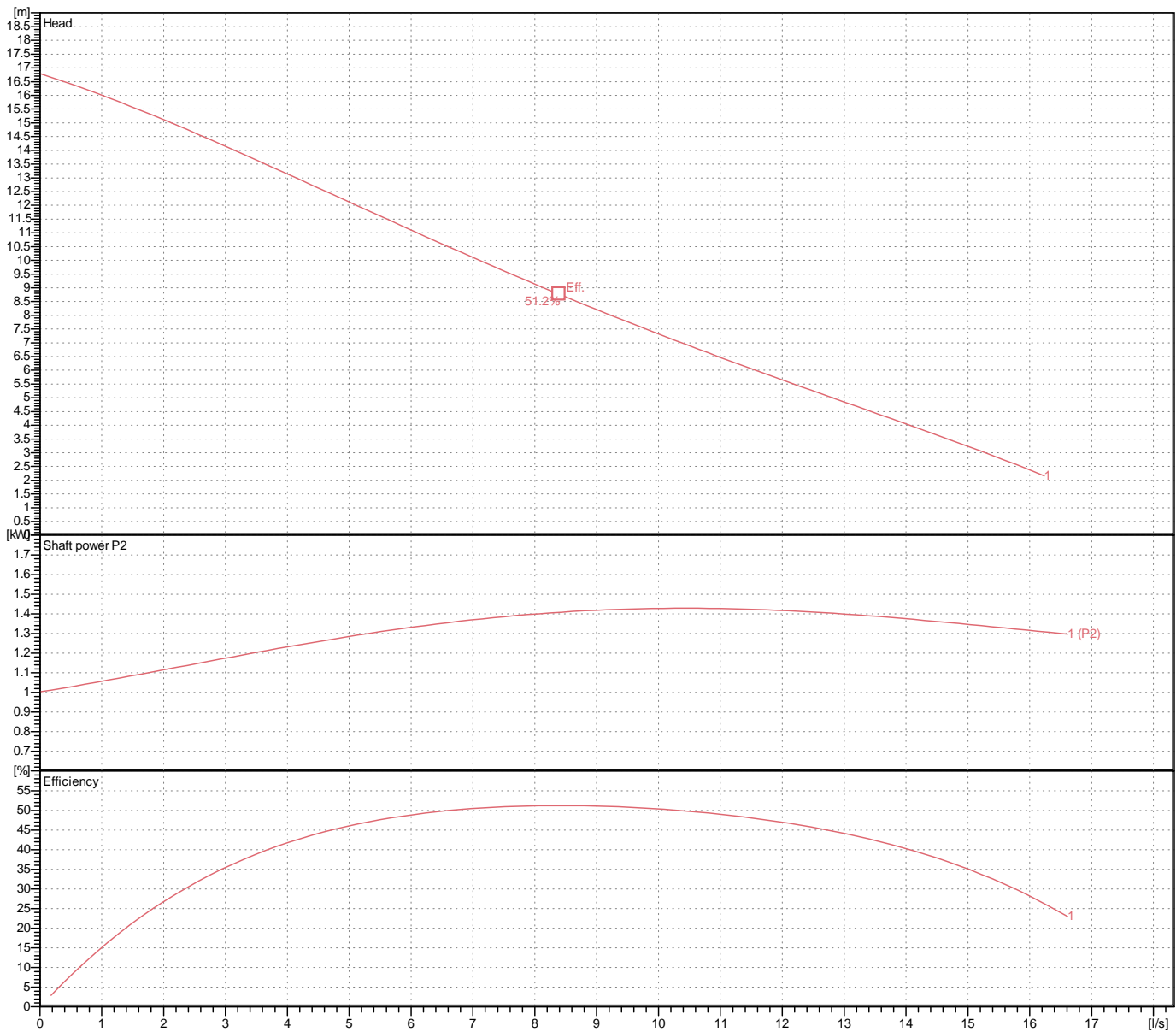
Weight

36 kg (dry weight of the pump only without cable)

Performance curve

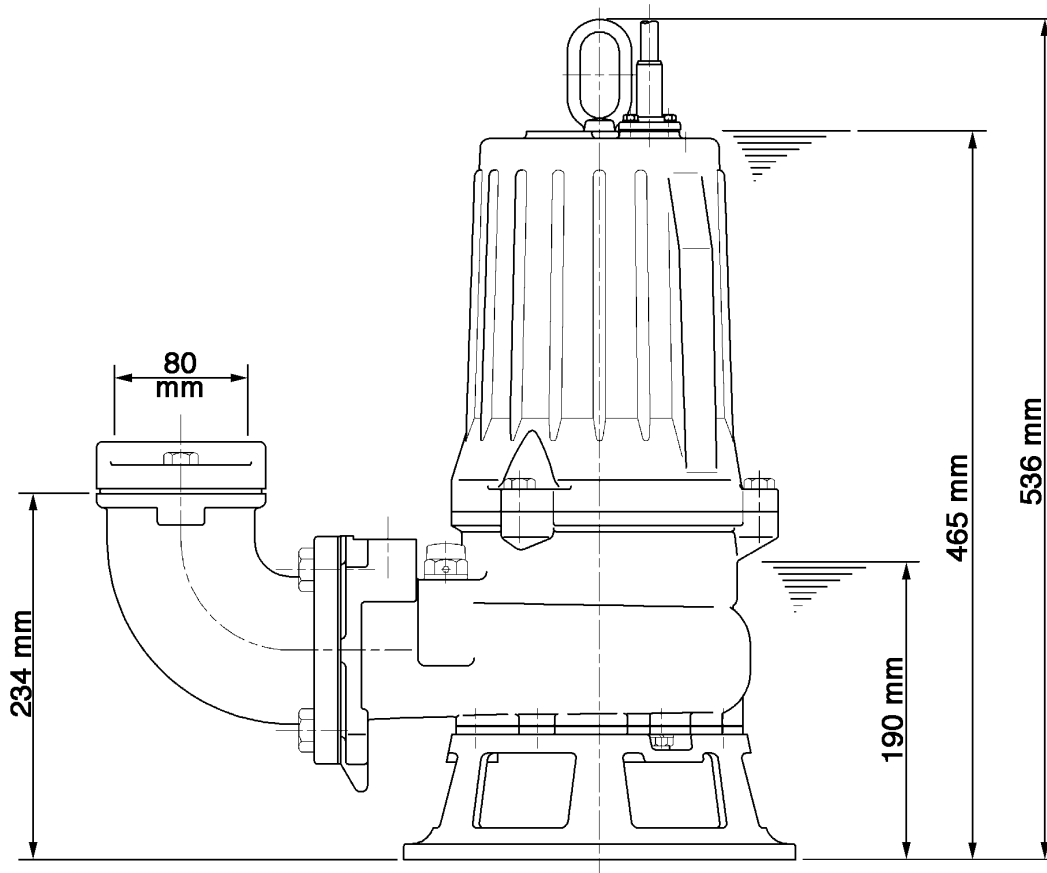
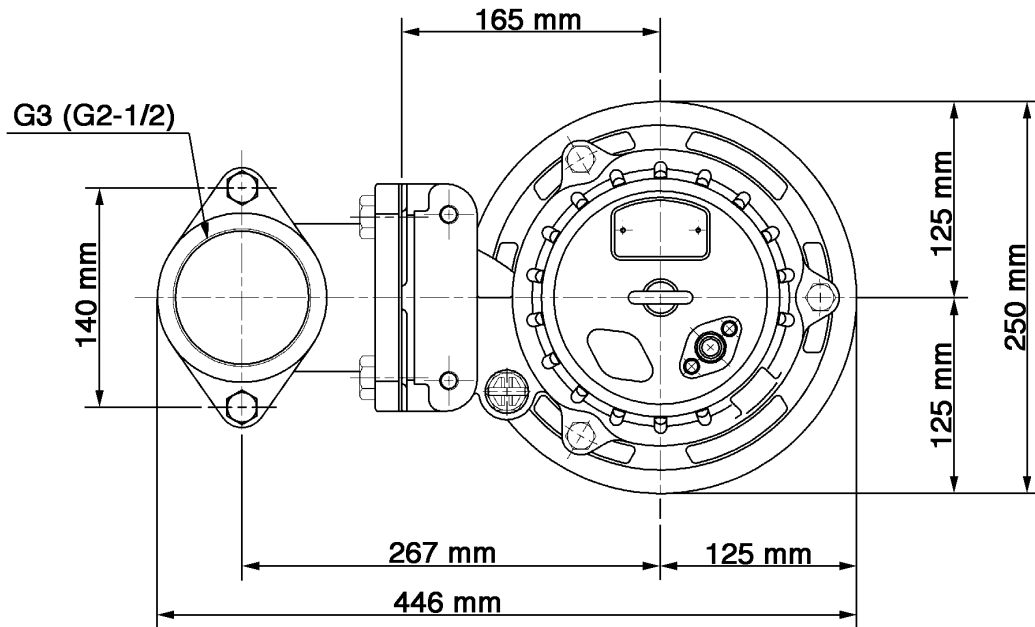
80B21.5-52

Discharge port	3"
Head	16.8 m
Flow	16.2 l/s
Rated power	1.50 kW
Power input	2.15 kW
Phases	3~
Voltages	400 V
Frequency	50 Hz
Rated current	3.5 A
Starting current	22.02 A
Number of poles	2
Speed	2840 1/min
Starting mode	Directly
Insulation class	F



Dimensions

80B21.5-52



80B21.5-52 (A-11452-1)

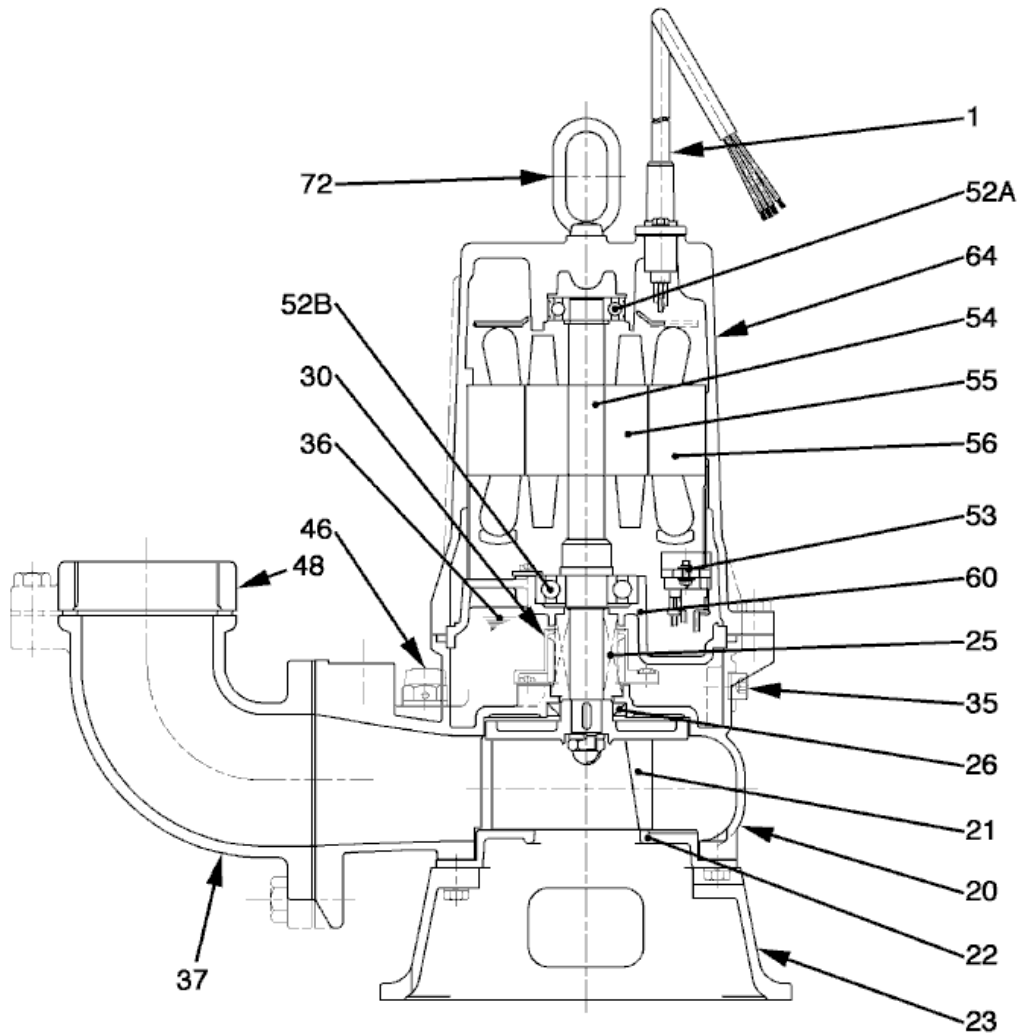
CWL: Continuous running water level
LWL: Lowest running water level

 **TSURUMI PUMP**

Tsurumi Europe GmbH
16.10.2018 V.18 / 1.10.2015

Heltorfer Str. 14 * 40472 Düsseldorf * Germany
Tel.: +49-211-4179373 sales@tsurumi.eu
Fax: +49-211-417937-480 www.tsurumi.eu

Sectional drawing 80B21.5-52



80B21.5-52 (A-11455-1)

No.	Description	Remark	No.	Description	Remark
1	Cable	H07RN-F	54	Shaft	DIN 1.4028 (EN-X30Cr13)
20	Pump casing	FC200 (EN-GJL-200)	55	Rotor	.
21	Impeller	FC200 (EN-GJL-200)	56	Stator	.
22	Suction cover	FC200 (EN-GJL-200)	60	Bearing Housing	FC150 (EN-GJL-150)
23	Stand	FCD45 (EN-GJS-450-10)	64	Motor Frame	FC150 (EN-GJL-150)
25	Mechanical seal	H-20A	72	Eye screw	DIN 1.4301 (EN-X5CrNi 18-10)
26	Oil seal	DD-32488			
30	Oil distributor	Plastic			
35	Oil screw	DIN 1.4301 (EN-X5CrNi 18-10)			
36	Lubricant	Turbine oil (ISO VG32)			
37	Discharge bend	FC200 (EN-GJL-200)			
46	Air vent valve	Brass			
48	Screwed Flange	FC200 (EN-GJL-200)			
52A	Upper bearing	6204ZZC3			
52B	Lower bearing	6305ZZC3			
53	Motor Protector 380/400/415V-50Hz KA314-HRXL00 (H.C)				