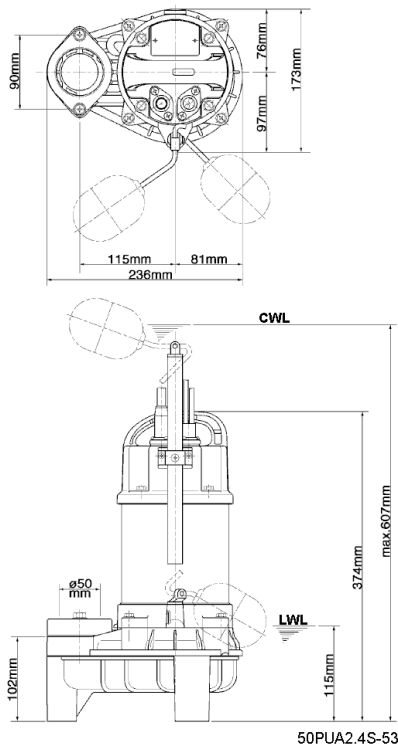
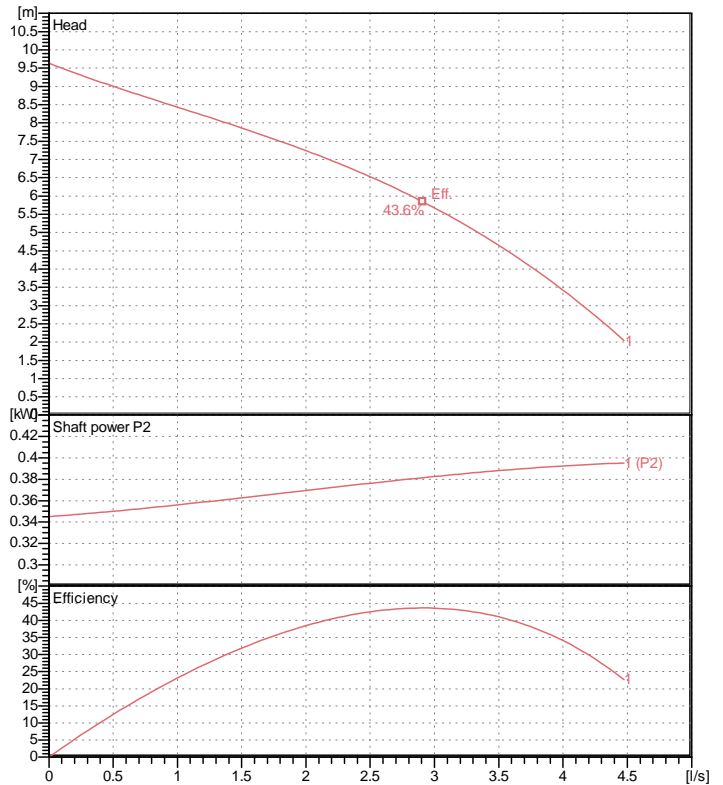


Data sheet 50PUA2.4S-53



CWL: Continuous running water level
LWL: Lowest running water level



Specification

Electric submersible pump
Degree of protection IP 68
Depth of submersion max. 10 m
Type of impeller Vortex impeller
Free passage 35 mm
Suitable for:
sewage water, waste water, various waste water

Electric motor

Dry-type submersible induction motor
Insulation class E 2Poles 2792 1/min
Starting mode Directly
Rated voltage 230 V 50 Hz 1~
Power uptake 0.62 kW
Rated power 0.40 kW
Rated current 3.1 A
Start current 8.7 A

Cable

10m H07RN-F 3Cx1mm²

Motor Protection

Circle thermal protector
(snap-action bi-metal device)

Shaft seal

Double inside mechanical seal in oil bath
additional lubrication by oil lifting device

Primary seal
Silicon carbide on ceramic
Secondary seal
Ceramic on carbon

Bearings

Shielded ball bearings, maintenance-free

Materials

Impeller	PPO-GF20
Pump casing	ABS-GF20
Motor Frame	SUS304 (EN-X5CrNi18-10)
Shaft	SUS304 (EN-X5CrNi18-10)

Discharge size

50mm screwed-in mating flange

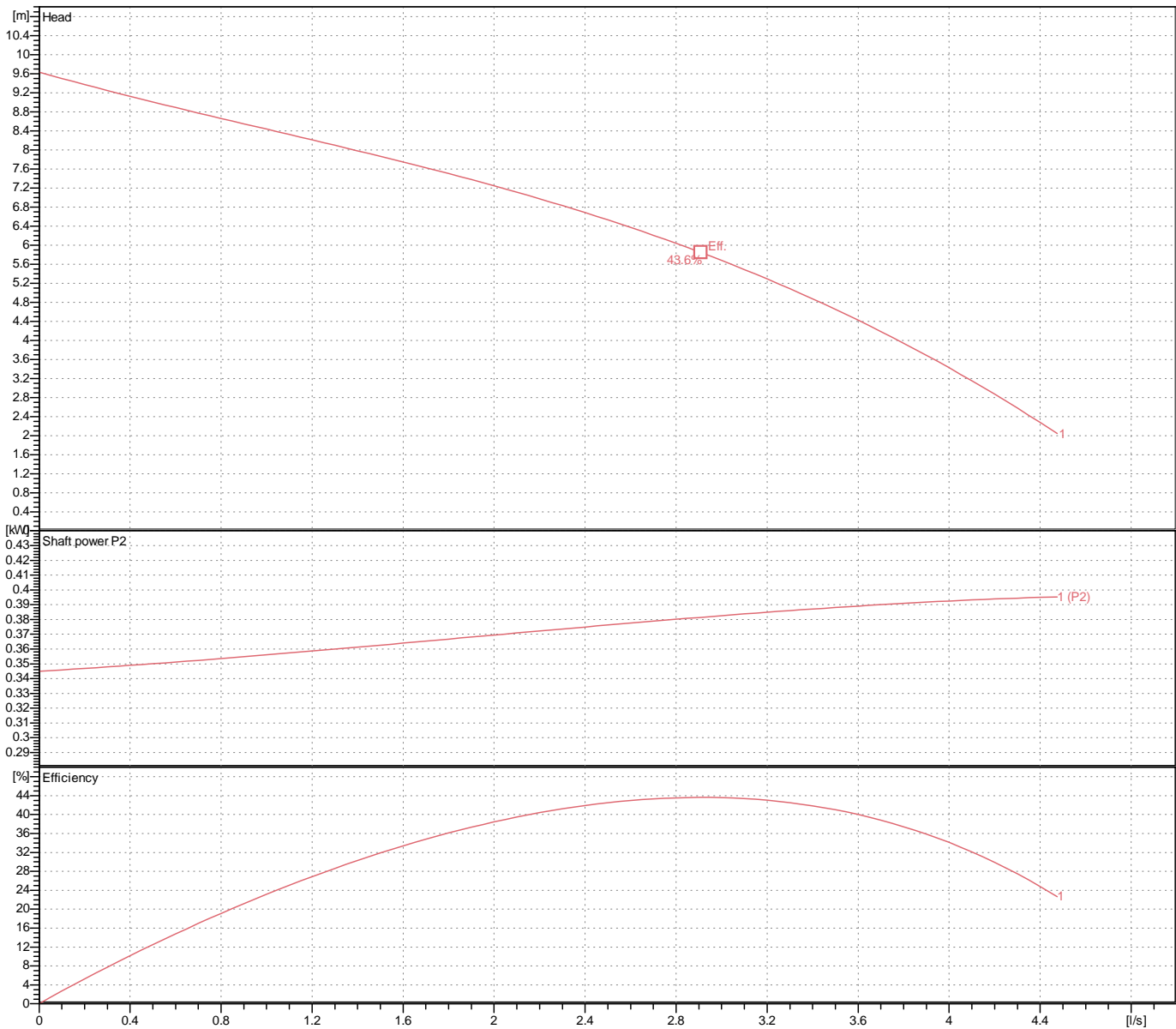
Weight

7.7 kg (dry weight of the pump only without cable)

Performance curve

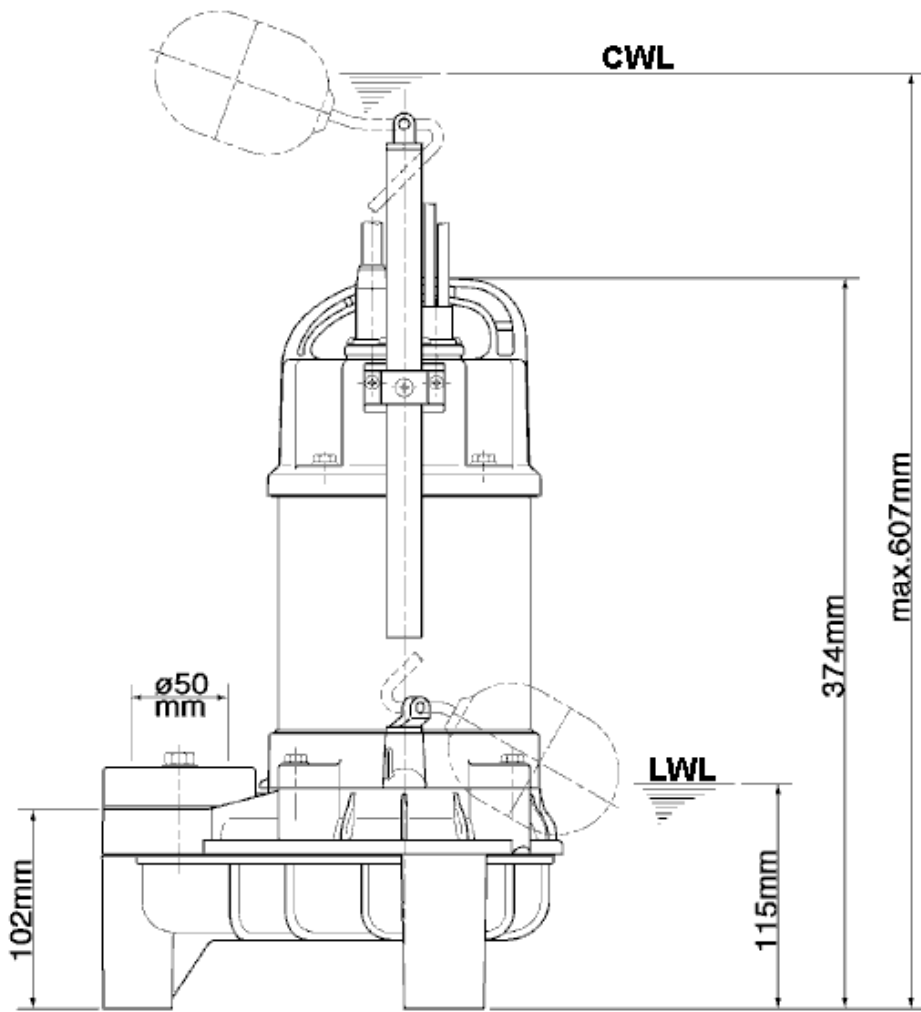
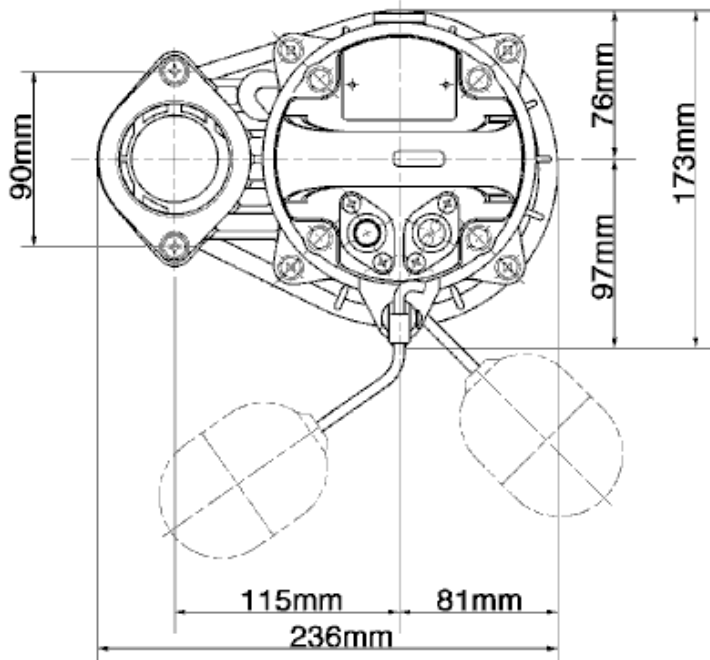
50PUA2.4S-53

Discharge port	2"
Head	9.6 m
Flow	4.5 l/s
Rated power	0.40 kW
Power input	0.62 kW
Phases	1~
Voltages	230 V
Frequency	50 Hz
Rated current	3.1 A
Starting current	8.71 A
Number of poles	2
Speed	2792 1/min
Starting mode	Directly
Insulation class	E



Dimensions

50PUA2.4S-53



50PUA2.4S-53

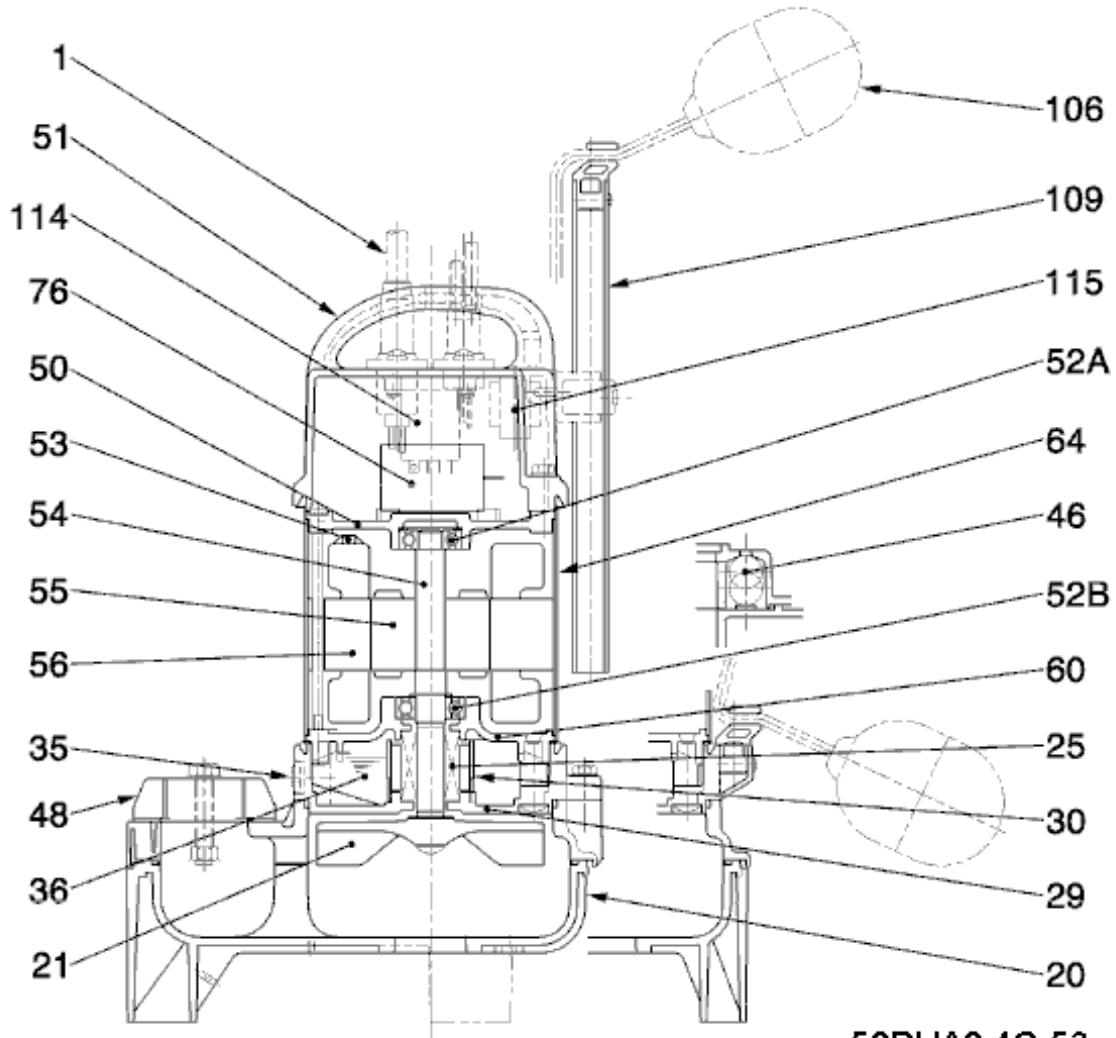
CWL: Continuous running water level
 LWL: Lowest running water level



Tsurumi Europe GmbH
 26.05.2017 V.18 / 1.10.2015

Heltorfer Str. 14 * 40472 Düsseldorf * Germany
 Tel.: +49-211-4179373 sales@tsurumi.eu
 Fax: +49-211-417937-480 www.tsurumi.eu

Sectional drawing 50PUA2.4S-53



50PUA2.4S-53

No.	Description	Remark	No.	Description	Remark
1	Cable	H07RN-F	55	Rotor	.
20	Pump casing	ABS-GF20	56	Stator	.
21	Impeller	PPO-GF20	60	Bearing Housing	Aluminium die casting
25	Mechanical seal	W-14HL	64	Motor Frame	SUS304 (EN-X5CrNi18-10)
29	Oil casing	PPS-(GF+MD)50	76	Condenser	.
30	Oil distributor	Plastic	106	Float switch (2x)	ABS
35	Oil screw	SUS304 (EN-X5CrNi18-10)	109	Support	PVC
36	Lubricant	Turbine oil (ISO VG32)	114	Relais	.
46	Air vent valve	Glass bead	115	Transformator	.
48	Screwed Flange	PC(PBT-GF30)			
50	Motor cover	Steel plate			
51	Main cover	Product overview			
52A	Upper bearing	6201ZZC3			
52B	Lower bearing	6202ZZC3			
53	Motor Protector 380/400/415V	50Hz KA314-HRXL00 (H.C)			
54	Shaft	SUS304 (EN-X5CrNi18-10)			