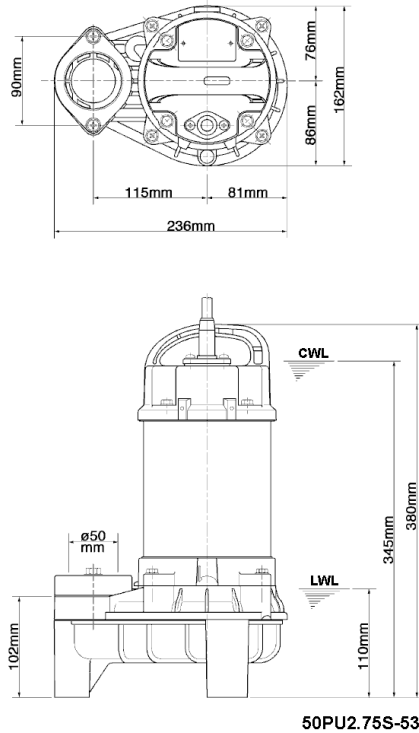
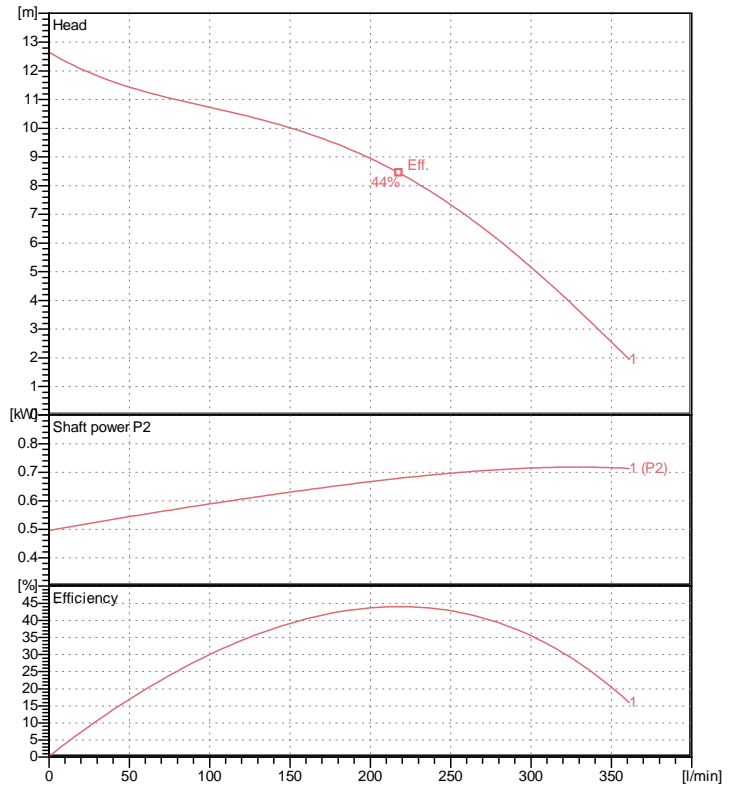


# Data sheet 50PU2.75S-53



50PU2.75S-53

CWL: Continuous running water level  
LWL: Lowest running water level



## Specification

Electric submersible pump  
Degree of protection IP 68  
Depth of submersion max. 10 m  
Type of impeller Vortex impeller  
Free passage 35 mm  
Suitable for:  
sewage water, waste water, various waste water

## Electric motor

Dry-type submersible induction motor  
Insulation class E 2Poles 2804 1/min  
Starting mode Directly  
Rated voltage 230 V 50 Hz 1~  
Power uptake 1.11 kW  
Rated power 0.75 kW  
Rated current 5.5 A  
Start current 18.0 A

## Cable

10m H07RN-F 4Cx1,5mm<sup>2</sup>

## Motor Protection

Circle thermal protector  
(snap-action bi-metal device)

## Shaft seal

Double inside mechanical seal in oil bath  
additional lubrication by oil lifting device

Primary seal  
Silicon carbide on ceramic  
Secondary seal  
Ceramic on carbon

## Bearings

Shielded ball bearings, maintenance-free

## Materials

Impeller	PPO-GF20
Pump casing	ABS-GF20
Motor Frame	SUS304 (EN-X5CrNi18-10)
Shaft	SUS304 (EN-X5CrNi18-10)

## Discharge size

50mm screwed-in mating flange

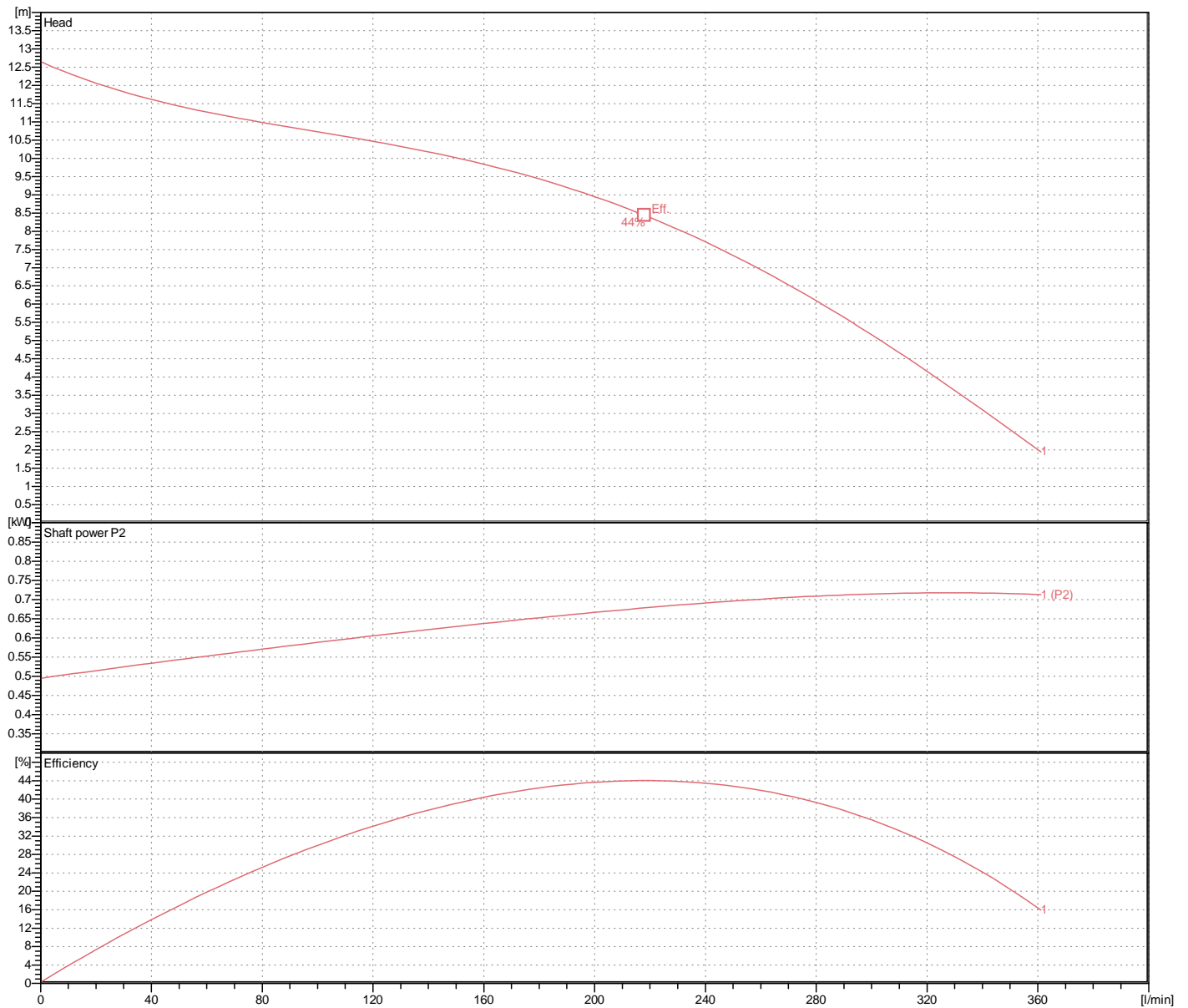
## Weight

8.9 kg (dry weight of the pump only without cable)

# Performance curve

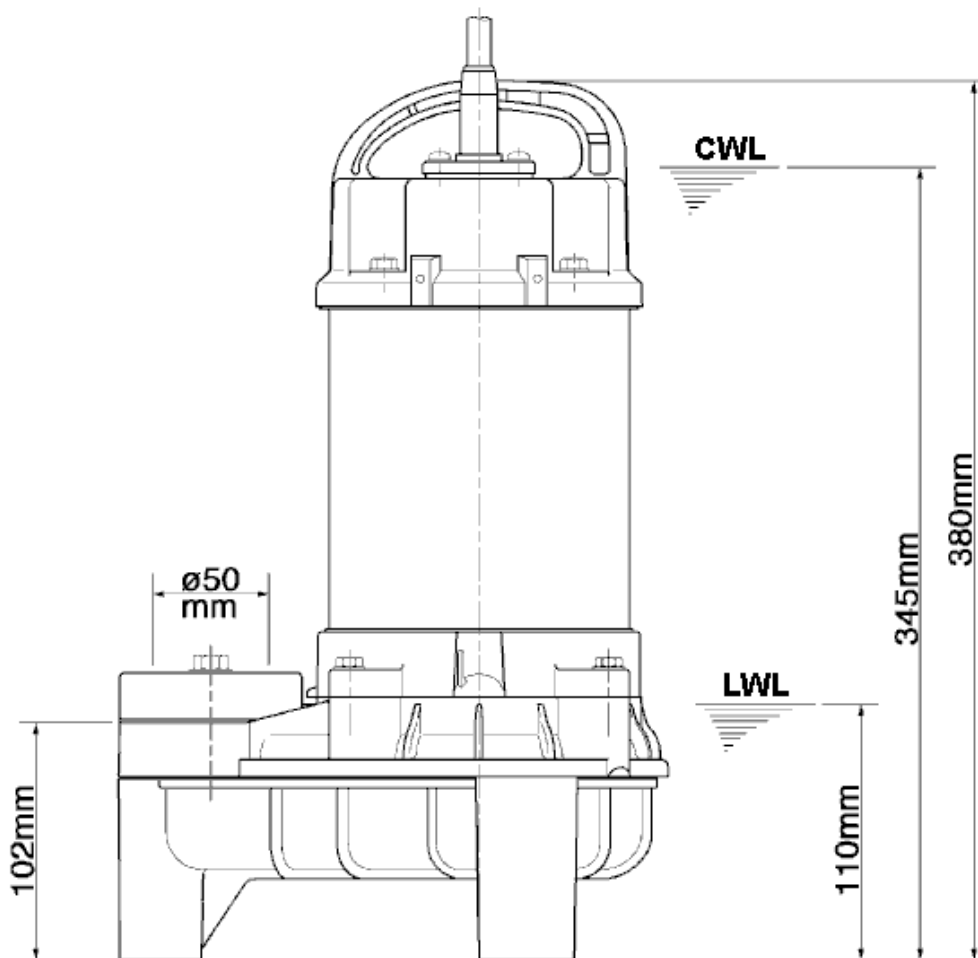
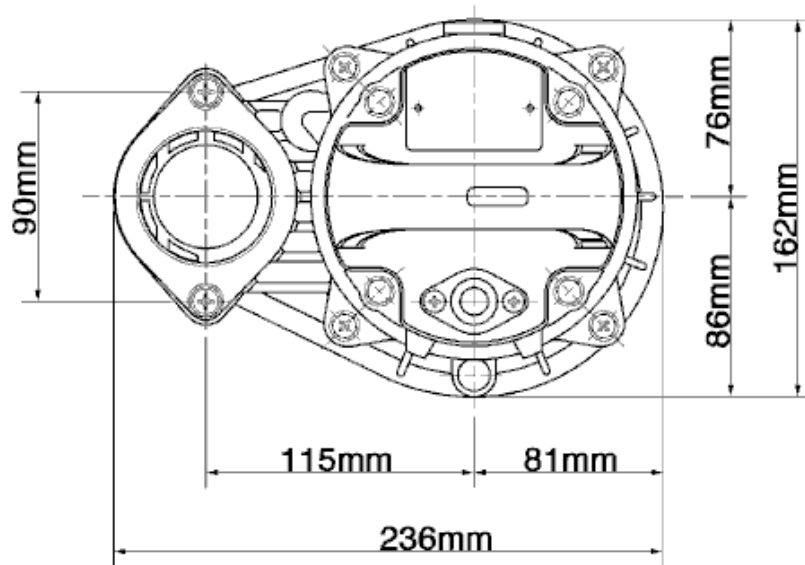
## 50PU2.75S-53

Discharge port	2"
Head	12.7 m
Flow	361.1 l/min
Rated power	0.75 kW
Power input	1.11 kW
Phases	1~
Voltages	230 V
Frequency	50 Hz
Rated current	5.5 A
Starting current	17.98 A
Number of poles	2
Speed	2804 1/min
Starting mode	Directly
Insulation class	E



# Dimensions

## 50PU2.75S-53



**50PU2.75S-53**

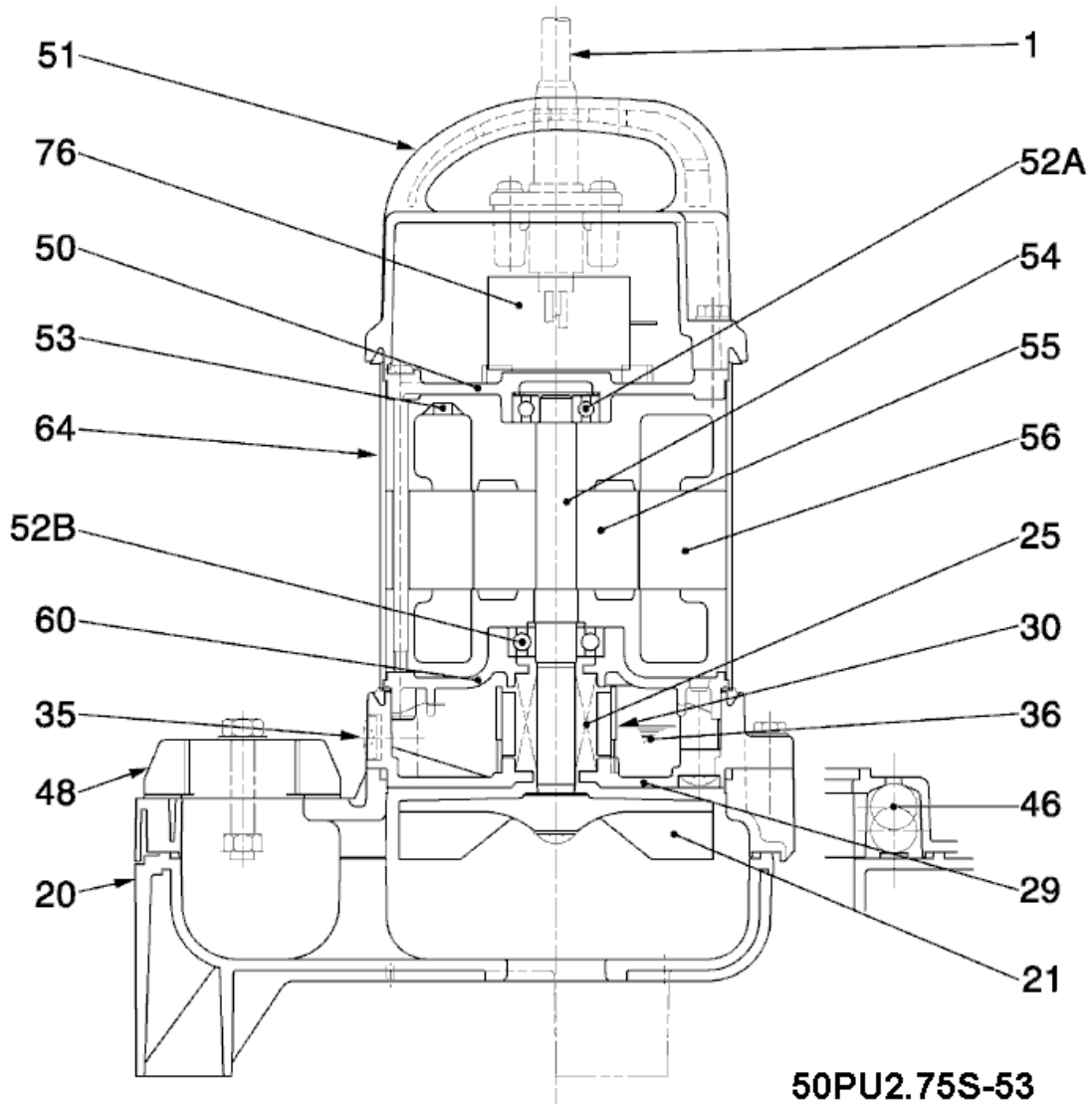
**CWL: Continuous running water level**  
**LWL: Lowest running water level**

 **TSURUMI PUMP**

Tsurumi Europe GmbH  
 18.01.2018 V.18 / 1.10.2015

Heltorf Str. 14 \* 40472 Düsseldorf \* Germany  
 Tel.: +49-211-4179373 sales@tsurumi.eu  
 Fax: +49-211-417937-480 www.tsurumi.eu

# Sectional drawing 50PU2.75S-53



No.	Description	Remark	No.	Description	Remark
1	Cable	H07RN-F	55	Rotor	.
20	Pump casing	ABS-GF20	56	Stator	.
21	Impeller	PPO-GF20	60	Bearing Housing	Aluminium die casting
25	Mechanical seal	W-14HL	64	Motor Frame	SUS304 (EN-X5CrNi18-10)
29	Oil casing	PPS-(GF+MD)50	76	Condenser	.
30	Oil distributor	Plastic			
35	Oil screw	SUS304 (EN-X5CrNi18-10)			
36	Lubricant	Turbine oil (ISO VG32)			
46	Air vent valve	Glass bead			
48	Screwed Flange	PC(PBT-GF30)			
50	Motor cover	Steel plate			
51	Main cover	Product overview			
52A	Upper bearing	6201ZZC3			
52B	Lower bearing	6302ZZC3			
53	Motor Protector 380/400/415V	50Hz KA314-HRXL00 (H.C)			
54	Shaft	SUS304 (EN-X5CrNi18-10)			