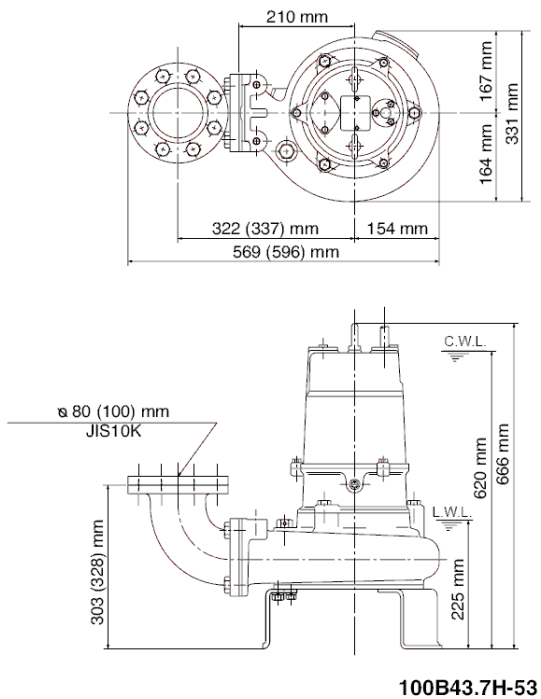
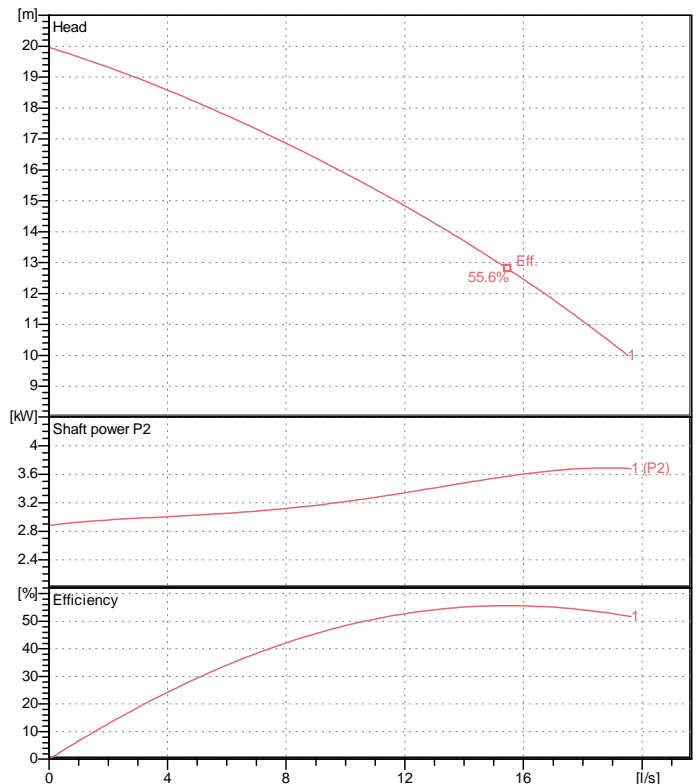


Data sheet 100B43.7H-53



CWL: Continuous running water level
LWL: Lowest running water level



Specification

Electric submersible pump
Degree of protection IP 68
Depth of submersion max. 15 m
Type of impeller Single channel impeller
Free passage 35 mm
Suitable for:
sewage water

Electric motor

Dry-type submersible induction motor
Insulation class E 4Poles 1410 1/min
Starting mode Directly
Rated voltage 400 V 50 Hz 3~
Power uptake 4.59 kW
Rated power 3.70 kW
Rated current 7.9 A
Start current 49.0 A

Cable

10m H07RN-F 4Cx1,5mm²

Motor Protection

Circle thermal protector
(snap-action bi-metal device)

Shaft seal

Double inside mechanical seal in oil bath
additional lubrication by oil lifting device

Primary seal
Silicon carbide on silicon carbide
Secondary seal
Ceramic on carbon

Bearings

Shielded ball bearings, maintenance-free

Materials

Impeller	FC200 (EN-GJL-200)
Pump casing	FC200 (EN-GJL-200)
Suction cover	FC200 (EN-GJL-200)
Motor Frame	FC200 (EN-GJL-200)
Shaft	SUS420J2 (EN-X30Cr13)

Discharge size

4" (100mm) JIS 10K screwed-in mating flange
guide rail fitting optional

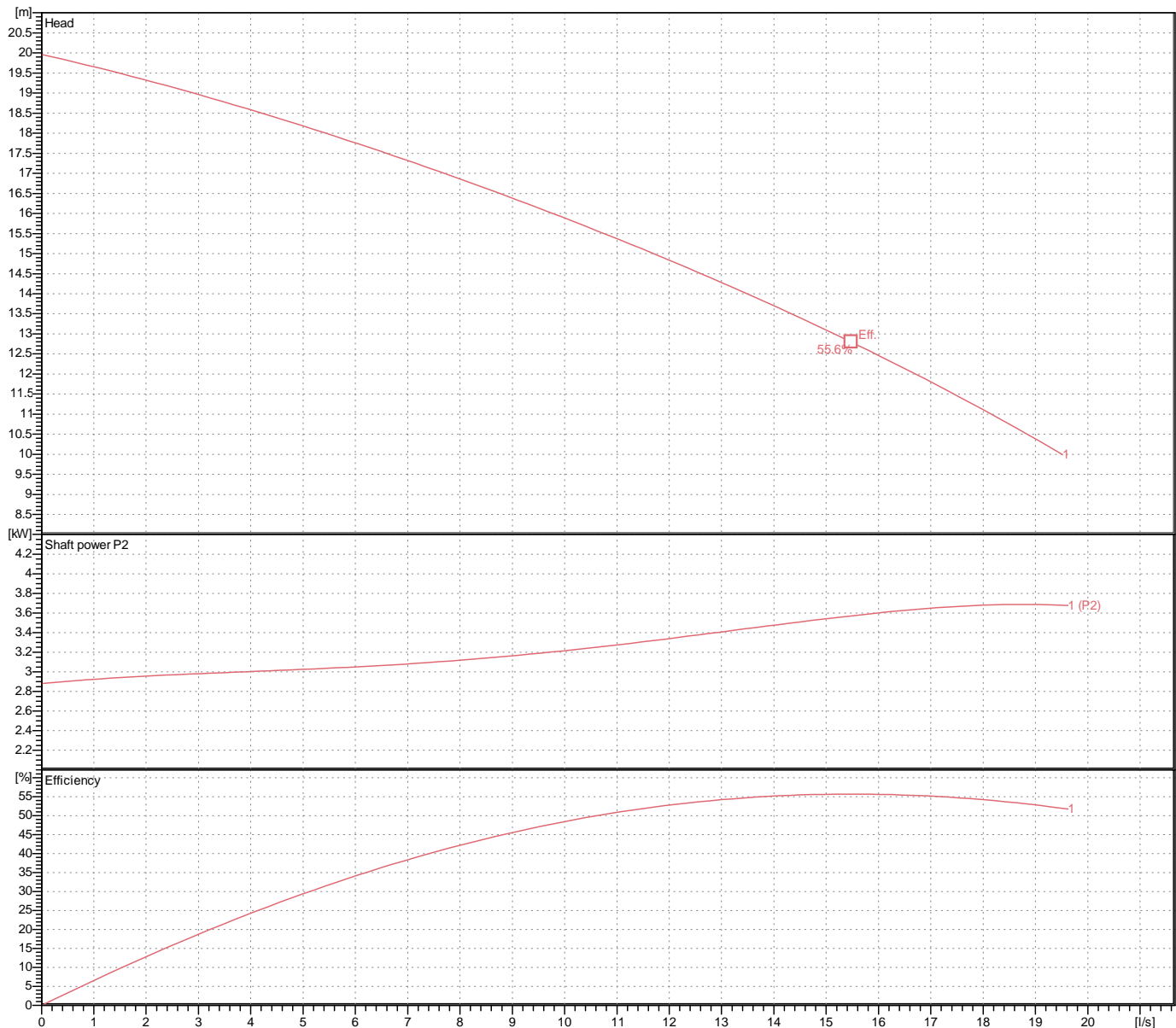
Weight

84 kg (dry weight of the pump only without cable)

Performance curve

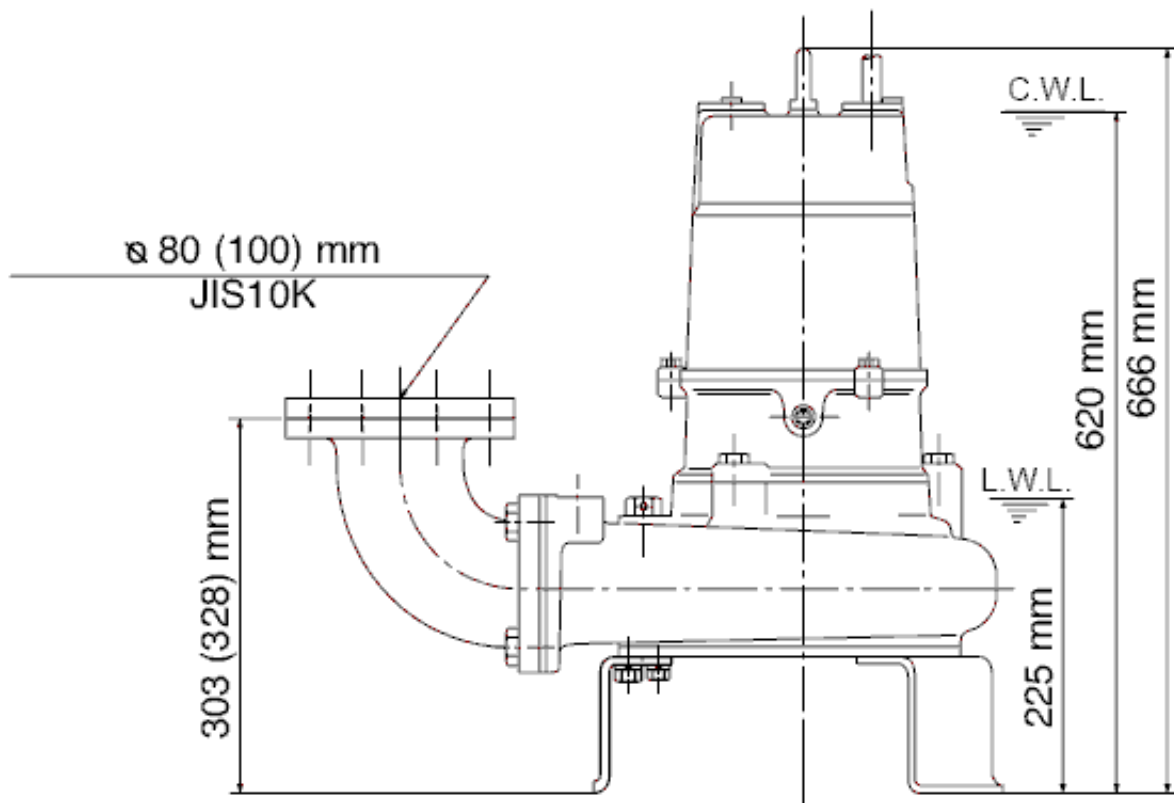
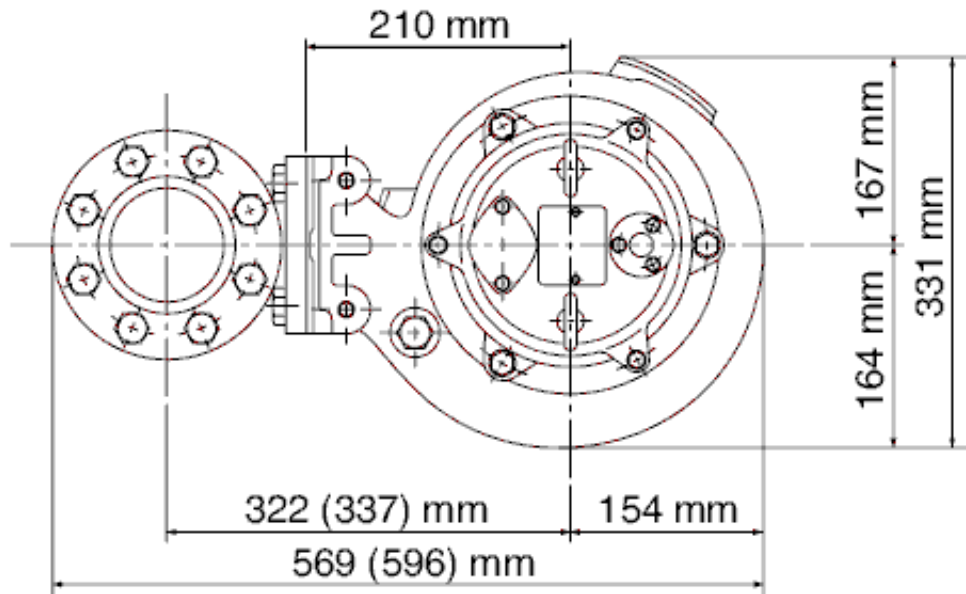
100B43.7H-53

Discharge port	4"
Head	20.0 m
Flow	19.5 l/s
Rated power	3.70 kW
Power input	4.59 kW
Phases	3~
Voltages	400 V
Frequency	50 Hz
Rated current	7.9 A
Starting current	48.98 A
Number of poles	4
Speed	1410 1/min
Starting mode	Directly
Insulation class	E



Dimensions

100B43.7H-53



100B43.7H-53

CWL: Continuous running water level
LWL: Lowest running water level

 **TSURUMI PUMP**

Tsurumi Europe GmbH
16.10.2018 V.18 / 1.10.2015

Heltorfer Str. 14 * 40472 Düsseldorf * Germany
Tel.: +49-211-4179373 sales@tsurumi.eu
Fax: +49-211-417937-480 www.tsurumi.eu

