

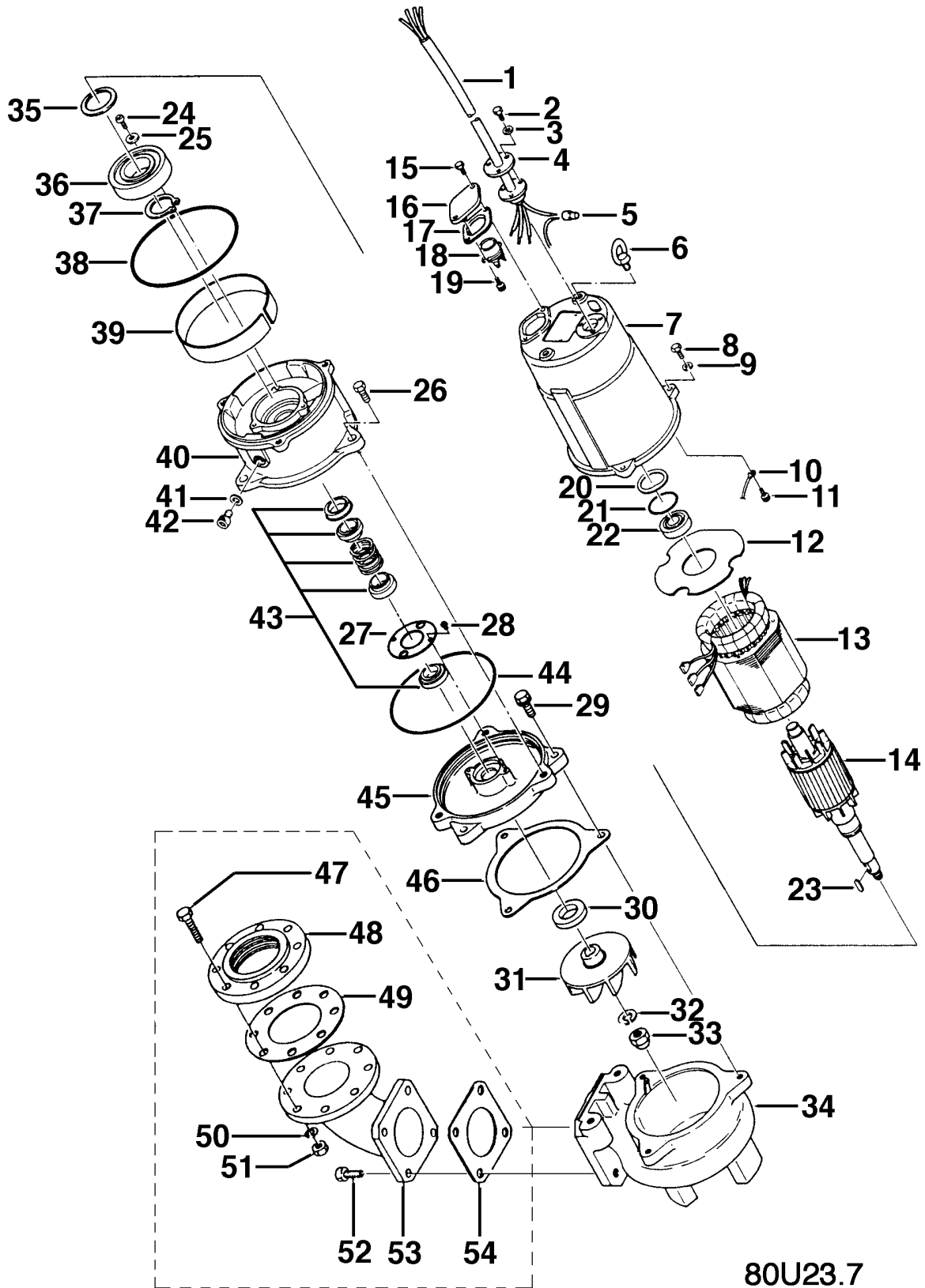
**80U23.7 (U2-80-37)**

Kontroll-Nr. --

2018-05-11 V.18 / 1.10.2015

80U23.7 (U2-80-37)			
Item	Item no.	Description	Quant.
1	001-TEG-21	Cable Set (10m) H07RN-F4Cx1,5mm <sup>2</sup> with gland	1
1	M01-TEG-21	Cable Set (10m) NSSHÖU 4Cx1,5mm <sup>2</sup>	1
2	140-021-17	Hex.Bolt M5x20 SUS304 (EN X5CrNi18-10)	3
3	142-213-14	Seal Washer WD-5 (SPC+NBR)	3
4	003-111-20	Gland SUS304 (EN X5CrNi18-10)	1
5	009-150-16	Terminal 8-SD CU	4
6	072-100-17	Eye Bolt M10 SS	2
7	064-469-25	Motor Frame (2nd) FC	1
8	140-055-10	Hex.Bolt M8x25 SUS304 (EN X5CrNi18-10)	3
9	142-163-21	Spring Washer M8 SUS316 (DIN 1.4401) Stainless Steel	3
10	009-116-10	Terminal R-2-4 CU	1
11	143-805-34	Pan Screw (w/spring washer /plain washer) M4x6 (SWRM)	1
12	058-000-46	Lead Wire Protection Plate d66xd148x1.6t Bakelite	1
13	056-902-17	Stator (380V)	1
13	059-906-11	Stator (400V / 415V)	1
14	055-733-12	Rotor (2nd) w/Bearing	1
15	140-052-17	Hex.Bolt M8x16 SUS304 (EN X5Cr18-10)	2
16	127-195-12	Protector Fixing Plate 22/37-BE2 SUS304 (EN X5CrNi18-10)	1
17	121-446-13	Packing 22/37-BE2 NBR	1
18	053-271-11	Motor Protector KA313-GCXL103 (380V)	1
18	053-402-13	Motor Protector KA313-GDZL103 (T)	1
19	143-126-12	Pan Screw (w/Spring Washer/Plain Washer) M4x12 SWRM	2
20	142-196-10	Wave Washer 6205/6304 SK5	1
21	122-367-12	O-Ring 52xd3.1 NBR	1
22	052-107-12	Bearing 6304ZZC3	1
22	052-188-17	Bearing (w/O-ring) AC-6304ZZC3	1
23	147-128-16	Impeller Key 5x5x18.5L SUS403 (EN X6Cr13)	1
24	143-042-13	Pan Screw M6x10 SWRM	3
25	062-196-19	Bearing Fixing Washer d8xd20.5x2.3t SS	3
26	140-098-15	Hex.Bolt M12x35 SUS304 (EN X5Cr18-10)	3
27, 28	143-070-23	Pan Screw M5x6 SWRM	2
27, 28	030-143-12	Oil Lifter H-25(A)(T) Resin	1
27, 28	143-070-10	Pan Screw M5x6 SWRM	2
27, 28	030-152-14	Seal Stopper H-25(A)(T) SPCC	1
29	140-076-17	Hex.Bolt M10x30 SUS304 (EN X5Cr18-10)	3
30	026-109-13	Oil Seal TC-355511 NBR	1
31	021-M22-17	Impeller (50HZ) 50Hz FC	1
32	142-166-11	Spring Washer M16 SUS304 (EN X5Cr18-10)	1
33	141-033-15	Hex.Cap Nut M16 SUS304 (EN X5Cr18-10)	1
34	020-792-11	Pump Casing U-80-37 FC	1
35	061-170-14	Bearing Collar d35.1xd46x2t SPCC	1
36	052-110-18	Bearing 6307ZZC3	1
37	146-022-16	Retaining Ring C35 SK5	1
38	122-333-19	O-Ring (MFrame/Brg.Housing) 170xd3.1 NBR	1
39	071-302-18	Collar 32l SECC	1
40	060-454-12	Bearing Housing (FC)	1
41	121-247-12	Packing (Oil Plug) d12.3xd18x2t PE	1
42	035-113-18	Oil Plug M12x14 SUS304 (EN X5Cr18-10)	1
43	025-000-43	Mechanical Seal H-25AT SIC	1
44	122-246-14	O-Ring (Brg.Housing/O.Casing) 180xd3.1 NBR	1
45	029-266-18	Oil Casing U-80-22/37 Grey Iron Casting	1
46	121-408-13	O-Ring d153xd183x2t NBR	1
47	140-129-32	Hex.Bolt M16x65 SWRM	8
48	048-000-39	Screwed Flange JIS10Kx80mm(PT) Grey Iron Casting	1
49	121-105-33	Packing JIS10Kx80mm NR	1
50	142-166-37	Spring Washer M16 SWRH	8
51	141-008-11	Hex.Nut M16 SUS304 (EN X5CrNi18-10)	8
52	140-124-11	Hex.Bolt M16x40 SUS304 (EN X5Cr18-10)	4
53	037-169-15	Discharge Bend 80x80mm Grey Iron Casting	1
54	121-152-19	Packing 145mm2(P.C.145) NBR	1
	173-475-12	Packing & O-Ring Set	1
	##oilVG32	ml Turbine Oil ISO VG32	1280

# Exploded View 80U23.7 (U2-80-37)



80U23.7