

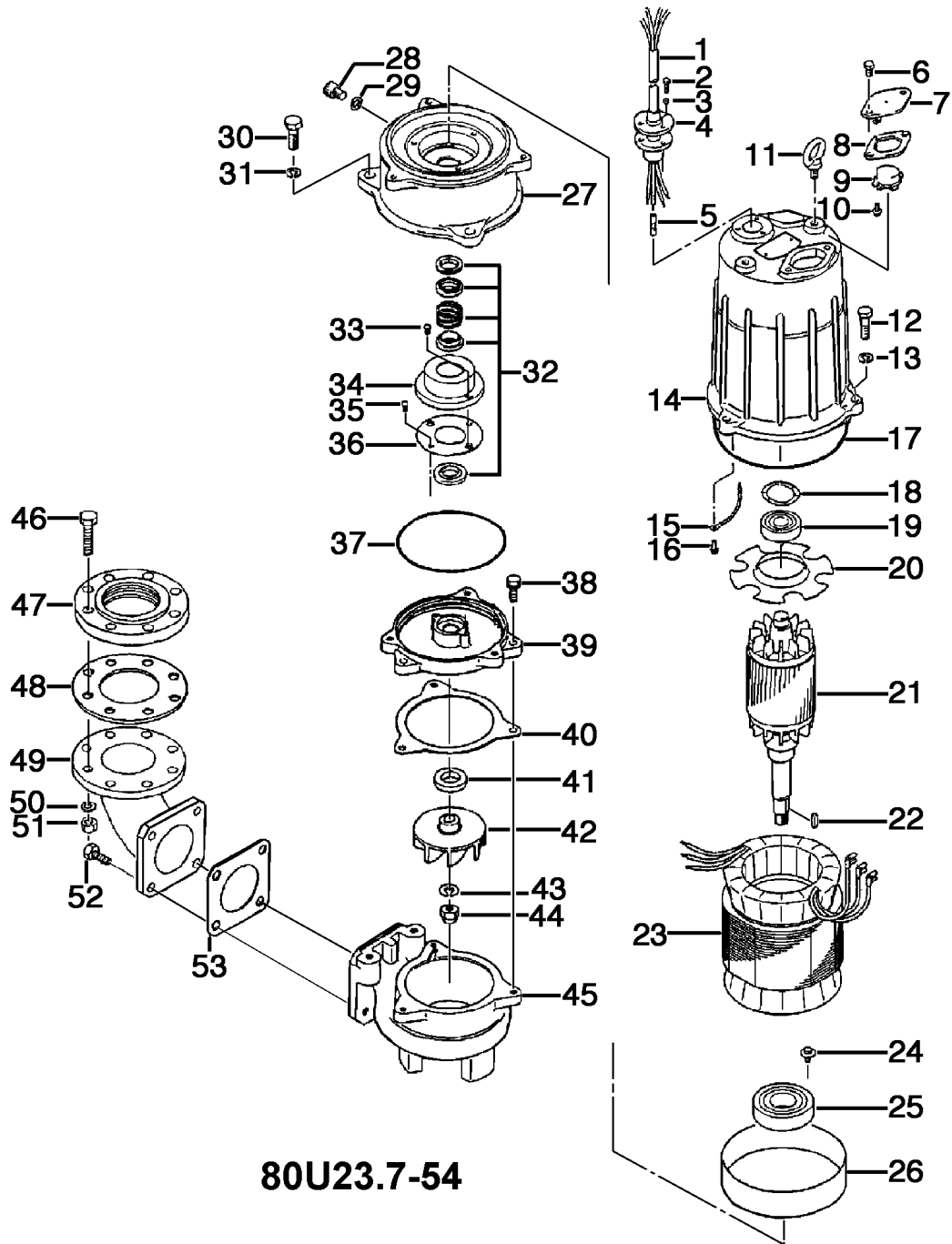
80U23.7-54

Kontroll-Nr. --

2019-02-1€ V.01.02.2019

Pos.no	Item no.	Description	Quant.	UP
		Packing O-Ring Set	1	Price on req.
1	001-TEG-21	Cabletyre Cable Set (10m) H07RN-F4Cx1,5mm <sup>2</sup> with gland	1	Price on req.
1	M01-TEG-21	Cabletyre Cable Set (10m) NSSHÖU 4Cx1,5mm <sup>2</sup>	1	Price on req.
	061-TEG-07	Cable Repair Kit	1	Price on req.
2	140-021-17	Hex.Bolt M5x20 SUS304 (EN X5CrNi18-10)	3	Price on req.
3	142-422-18	Seal Washer PM-5 SUS+NBR	3	Price on req.
4	003-111-20	Gland SUS304 (EN X5CrNi18-10)	1	Price on req.
5	009-275-18	Compression type Terminal TGNB-5.5(Insulated) CU	4	Price on req.
6	140-052-17	Hex.Bolt M8x16 SUS304	2	Price on req.
7	127-000-16	Protector Fixing Plate SUS304 (EN X5CrNi18-10)	1	Price on req.
8	121-000-23	Packing (Protector Fixing Plate) NBR	1	Price on req.
9	053-394-11	Motor Protector 380/400/415V-50Hz(EUR) KA313-GBXL102 (T.C)	1	Price on req.
10	143-126-12	Pan Screw (w/Spring Washer/Plain Washer) M4x12 SWRM	2	Price on req.
11	072-100-20	Eye Bolt M10 SUS304	2	Price on req.
12	140-057-12	Hex.Bolt M8x30 SUS304 (EN X5CrNi18-10) Stainless Steel	3	Price on req.
13	142-163-21	Spring Washer M8 SUS316 (DIN 1.4401) Stainless Steel	3	Price on req.
14	064-000-20	Motor Frame FC	1	Price on req.
15	009-212-17	Earth Terminal 2mm2x130L	1	Price on req.
16	143-085-21	Pan Screw (w/Spring Washer) M4x6 SWRM	1	Price on req.
17	122-333-19	O-Ring 170xd3.1 NBR	1	Price on req.
18	142-196-10	Wave Washer 6205/6304 SK5	1	Price on req.
19	052-188-17	Bearing (w/O-ring) AC-6304ZZC3	1	Price on req.
20	058-000-04	Lead Wire Protection Plate d66xd150x1.5t Bakelite	1	Price on req.
21	055-000-34	Rotor	1	Price on req.
22	147-128-16	Impeller Key 5x5x18.5L SUS403 (EN X6Cr13)	1	Price on req.
23	056-001-29	Stator 380/400/415V-50Hz	1	Price on req.
24	140-000-06	Hex.Bolt (w/Spring Washer/Plain Washer) M6x12 SWCH	3	Price on req.
25	052-110-18	Bearing 6307ZZC3	1	Price on req.
26	071-336-11	Collar 41L SECC	1	Price on req.
27	060-000-18	Bearing Housing Grey Iron Casting	1	Price on req.
28	035-113-18	Oil Plug M12x14 SUS304	1	Price on req.
29	121-247-12	Packing d12.3xd18x2l PE	1	Price on req.
30	140-098-15	Hex.Bolt M12x35 SUS304	3	Price on req.
31	142-165-10	Spring Washer M12 SUS304	3	Price on req.
32	025-001-07	Mechanical Seal H-25A SIC+CCBN	1	Price on req.
33	143-070-23	Pan Screw M5x6 SWRM	2	Price on req.
34	030-143-12	Oil Lifter H-25(A)(T) Resin	1	Price on req.
35	143-070-10	Pan Screw M5x6 SWRM	2	Price on req.
36	030-152-14	Seal Stopper H-25(A)(T) SPCC	1	Price on req.
37	122-246-14	O-Ring (Brq.Housing/O.Casing) 180xd3.1 NBR	1	Price on req.
38	140-078-19	Hex.Bolt M10x30 SUS304	3	Price on req.
39	029-266-18	Oil Casing U-80-22/37 Grey Iron Casting	1	Price on req.
40	121-408-13	O-Ring d153xd183x2l NBR	1	Price on req.
41	026-109-13	Oil Seal TC-355511 NBR	1	Price on req.
42	021-008-90	Impeller (50Hz) 80U23.7-54 Grey Iron Casting	1	Price on req.
43	142-166-11	Spring Washer M16 SUS304	1	Price on req.
44	141-033-15	Hex.Cap Nut M16 SUS304 (EN X5Cr18-10)	1	Price on req.
45	020-793-12	Pump Casing U-80-22 Grey Iron Casting	1	Price on req.
46	140-130-36	Hex.Bolt M16x70 SWRM	8	Price on req.
47	048-000-39	Screwed Flange JIS10Kx80mm(PT) Grey Iron Casting	1	Price on req.
48	121-105-33	Packing JIS10Kx80mm NR	1	Price on req.
49	037-169-15	Discharge Bend 80x80mm Grey Iron Casting	1	Price on req.
50	142-166-37	Spring Washer M16 SWRH	8	Price on req.
51	141-008-11	Hex.Nut M16 SUS304 (EN X5CrNi18-10)	8	Price on req.
52	140-124-11	Hex.Bolt M16x40 SUS304 (EN X5Cr18-10)	4	Price on req.
53	121-152-19	Packing 145mm2(P.C.145) NBR	1	Price on req.
	173-000-72	Packing & O-Ring Set	1	Price on req.
	##oilVG32	ml Turbine Oil ISO VG32	1280	Price on req.

# Exploded View 80U23.7-54



**80U23.7-54**