

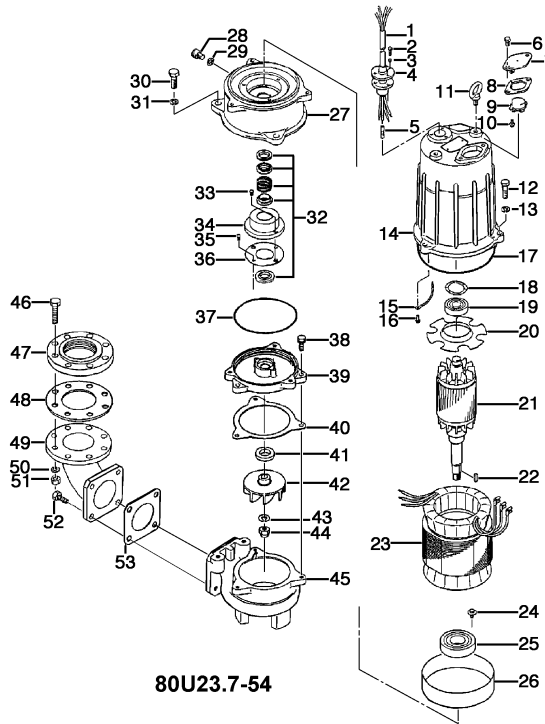
80U23.7-54

Kontroll-Nr. --

2024-03-19 V.01.02.2023

Pos.no	Item no.	Description	Qty.	UP / EUR
--------	----------	-------------	------	----------

80U23.7-54



1.1.1	173-000-72	Packing & O-Ring Set	1	
1	001-TEG-21	Cabletyre Cable Set (10m) H07RN-F4Cx1,5mm ² with gland	1	
1	M01-TEG-21	Cabletyre Cable Set (10m) NSSHÖU 4Cx1,5mm ²	1	
	061-TEG-07	Cable Repair Kit	1	
2	140-021-17	Hex.Bolt M5x20 SUS304 (EN X5CrNi18-10)	3	
3	142-422-18	Seal Washer PM-5 SUS+NBR	3	
4	003-111-20	Gland SUS304 (EN X5CrNi18-10)	1	
5	009-275-18	Compression type Terminal TGNB-5.5(Insulated) CU	4	
6	140-052-17	Hex.Bolt M8x16 SUS304	2	
7	127-000-16	Protector Fixing Plate SUS304 (EN X5Cr18-10)	1	
8	121-000-23	Packing (Protector Fixing Plate) NBR	1	
9	053-394-11	Motor Protector 380/400/415V-50Hz(EUR) KA313-GBXL102 (T.C)	1	
10	143-126-12	Pan Screw (w/Spring Washer/Plain Washer) M4x12 SWRM	2	
11	072-100-20	Eye Bolt M10 SUS304	2	
12	140-057-12	Hex.Bolt M8x30 SUS304 (EN X5CrNi18-10) Stainless Steel	3	
13	142-163-21	Spring Washer M8 SUS316 (DIN 1.4401) Stainless Steel	3	
14	064-002-17	Motor Frame FC	1	
15	009-212-17	Earth Terminal 2mm2x130L	1	
16	143-085-21	Pan Screw (w/Spring Washer) M4x6 SWRM	1	
17	122-333-19	O-Ring 170xd3.1 NBR	1	
18	142-196-10	Wave Washer 6205/6304 SK5	1	
19	052-188-17	Bearing (w/O-ring) AC-6304ZZC3	1	
20	058-000-04	Lead Wire Protection Plate d66xd150x1.5t Bakelite	1	
21	055-000-34	Rotor	1	
22	147-128-16	Impeller Key 5x5x18.5L SUS403 (EN X6Cr13)	1	
23	056-012-91	Stator 380/400/415V-50Hz	1	
24	140-000-06	Hex.Bolt (w/Spring Washer/Plain Washer) M6x12 SWCH	3	
25	052-110-18	Bearing 6307ZZC3	1	
26	071-000-90	Collar 41L SECC	1	
27	060-000-18	Bearing Housing Grey Iron Casting	1	
28	035-113-18	Oil Plug M12x14 SUS304 (EN X5CrNi18-10) Stainless Steel	1	Price on req.
29	121-247-12	Packing d12.3xd18x2t PE	1	
30	140-098-15	Hex.Bolt M12x35 SUS304	3	
31	142-165-10	Spring Washer M12 SUS304 (EN X5CrNi18-10) Stainless Steel	3	Price on req.
32	025-001-07	Mechanical Seal H-25A SIC+CCBN	1	
33	143-070-23	Pan Screw M5x6 SWRM	2	
34	030-143-12	Oil Lifter H-25(A)(T) Resin	1	
35	143-070-23	Pan Screw M5x6 SWRM	2	
36	030-152-14	Seal Stopper H-25(A)(T) SPCC	1	
37	122-246-14	O-Ring (Brq.Housing/O.Casing) 180xd3.1 NBR	1	

80U23.7-54

Kontroll-Nr. --

2024-03-19 V.01.02.2023

Pos.no	Item no.	Description	Qty.	UP / EUR
38	140-078-19	Hex.Bolt M10x30 SUS304	3	
39	029-266-18	Oil Casing U-80-22/37 Grey Iron Casting	1	
40	121-408-13	O-Ring d153xd183x2t NBR	1	
41	026-109-13	Oil Seal TC-355511 NBR	1	
42	021-008-90	Impeller (50Hz) 80U23.7-54 Grey Iron Casting	1	
43	142-166-11	Spring Washer M16 SUS304	1	
44	141-033-15	Hex.Cap Nut M16 SUS304 (EN X5Cr18-10)	1	
45	020-793-12	Pump Casing U-80-22 Grey Iron Casting	1	
46	140-130-36	Hex.Bolt M16x70 SWRM	8	
47	048-000-39	Screwed Flange JIS10Kx80mm(PT) Grey Iron Casting	1	
48	121-105-33	Packing JIS10Kx80mm NR	1	
49	037-169-15	Discharge Bend 80x80mm Grey Iron Casting	1	
50	142-166-37	Spring Washer M16 SWRH	8	
51	141-008-11	Hex.Nut M16 SUS304 (EN X5CrNi18-10)	8	
52	140-124-11	Hex.Bolt M16x40 SUS304 (EN X5Cr18-10)	4	
53	121-152-19	Packing 145mm2(P.C.145) NBR	1	
	173-000-72	Packing & O-Ring Set	1	
	##oilVG32	ml Turbine Oil ISO VG32	1280	Price on req.