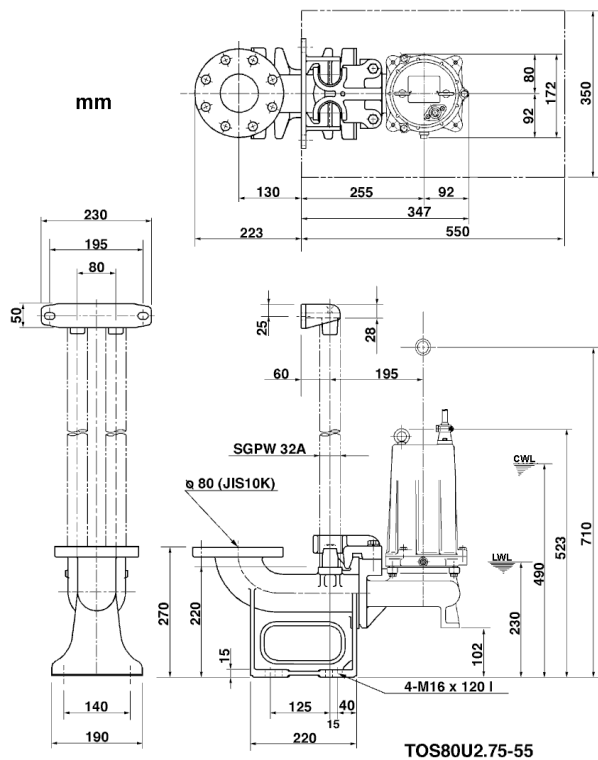
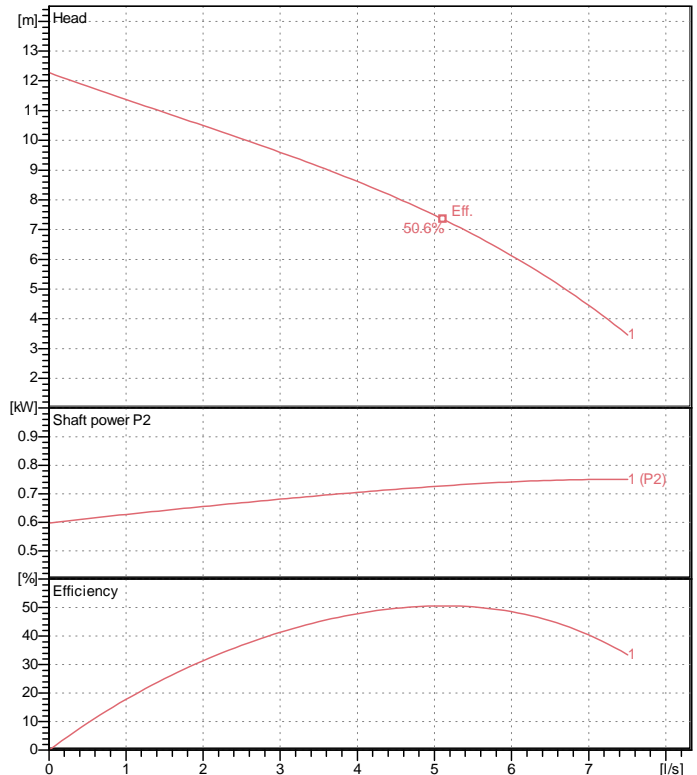


Data sheet 80U2.75-55



CWL: Continuous running water level
LWL: Lowest running water level



Specification

Electric submersible pump
Degree of protection IP 68
Depth of submersion max. 10 m
Type of impeller Vortex impeller
Free passage 46 mm
Suitable for:
waste water and liquid carrying

Electric motor

Dry-type submersible induction motor
Insulation class E 2Poles 2810 1/min
Starting mode Directly
Rated voltage 400 V 50 Hz 3~
Power uptake 1.23 kW
Rated power 0.75 kW
Rated current 2.1 A
Start current 8.5 A

Cable

10m H07RN-F 4Cx1,5mm²

Motor Protection

Circle thermal protector
(snap-action bi-metal device)

Shaft seal

Double inside mechanical seal in oil bath
additional lubrication by oil lifting device

Primary seal
Silicon carbide on ceramic
Secondary seal
Ceramic on carbon

Bearings

Shielded ball bearings, maintenance-free

Materials

| | |
|---------------|--------------------|
| Impeller | FC200 (EN-GJL-200) |
| Pump casing | FC200 (EN-GJL-200) |
| Motor housing | FC150 (EN-GJL-150) |
| Shaft | SUS403 (EN-X6Cr13) |

Discharge size

80mm screwed-in mating flange

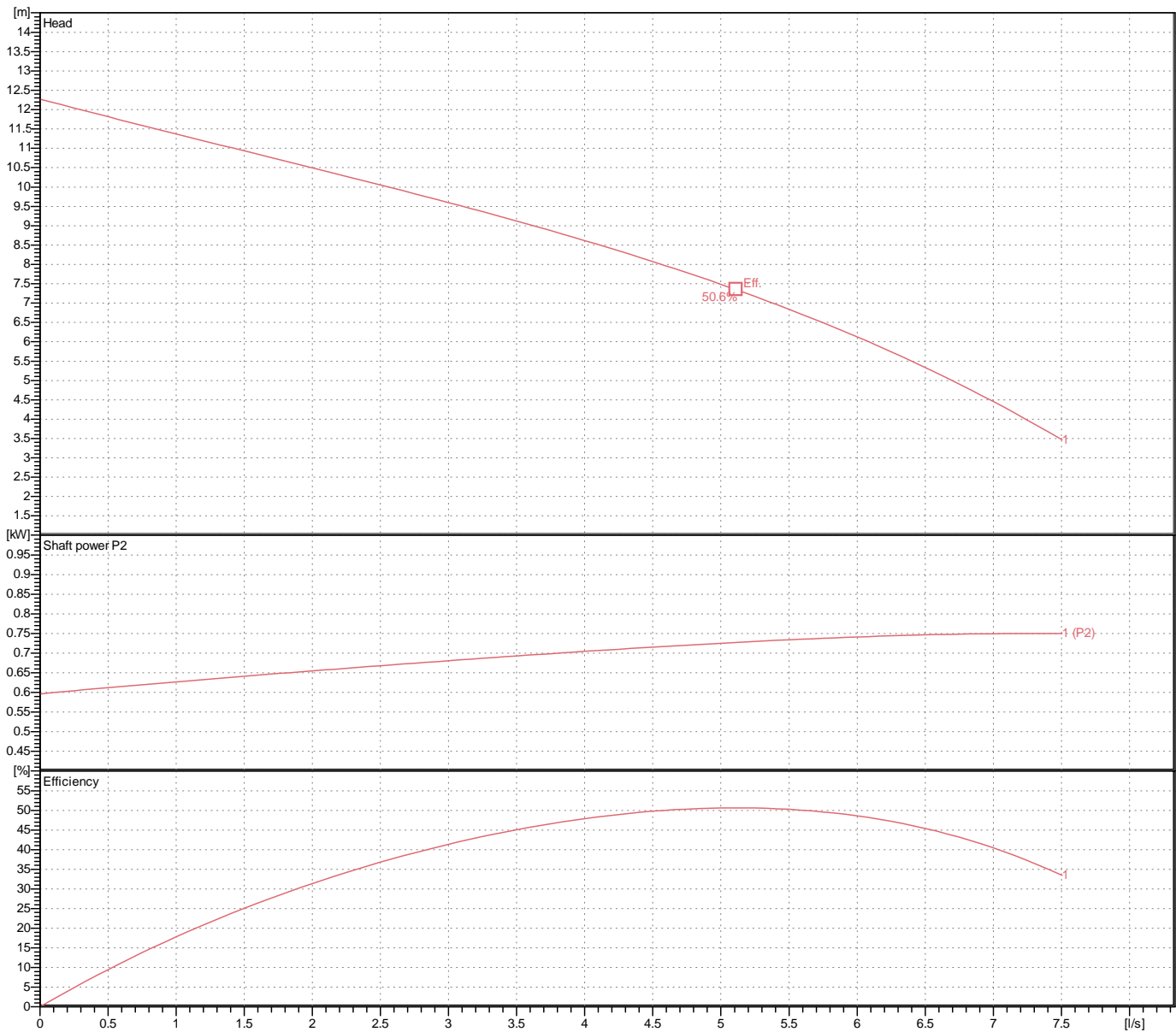
Weight

24 kg (dry weight of the pump only without cable)

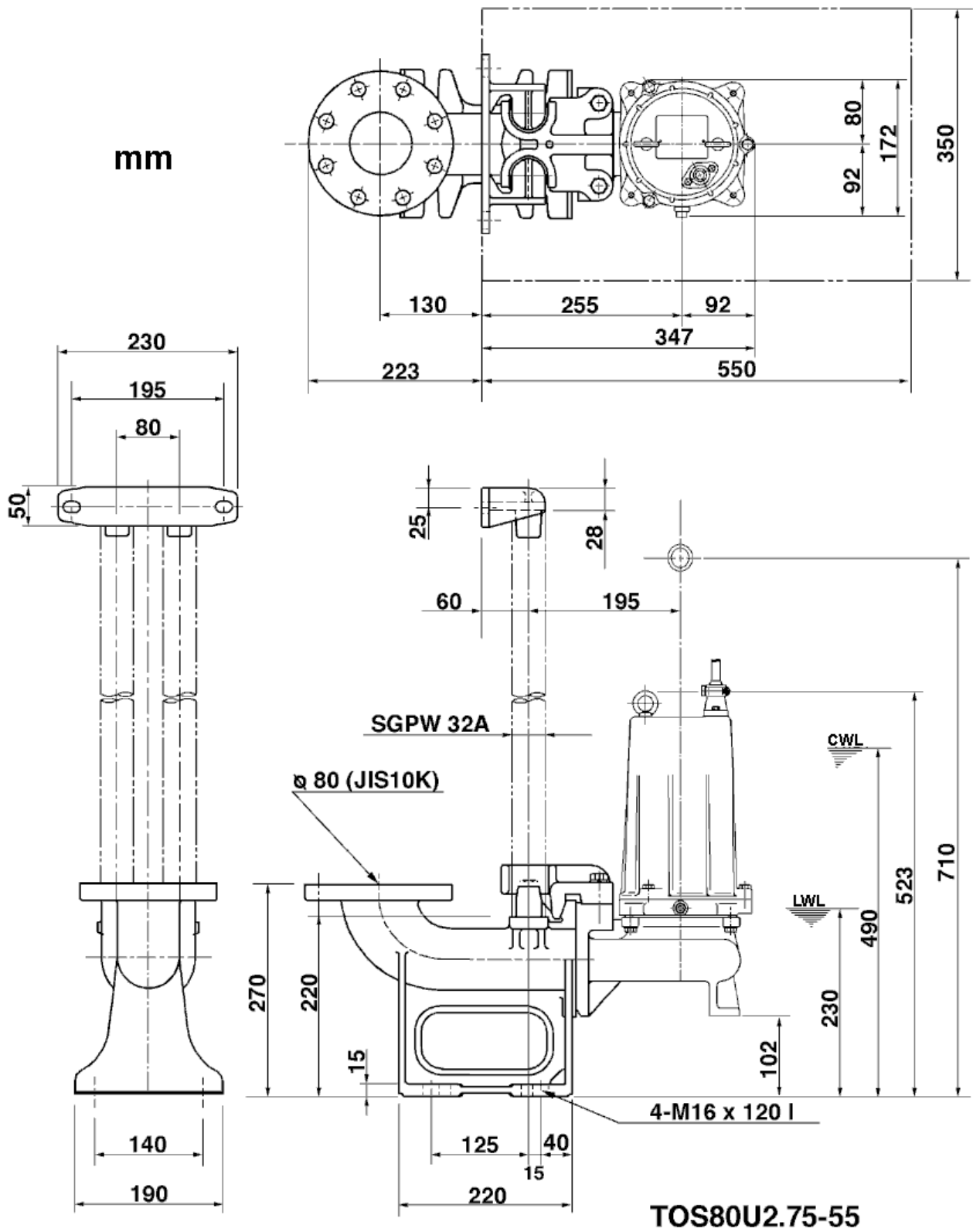
Performance curve

80U2.75-55

| | |
|------------------|------------|
| Discharge port | 3" |
| Head | 12.3 m |
| Flow | 7.5 l/s |
| Rated power | 0.75 kW |
| Power input | 1.23 kW |
| Phases | 3~ |
| Voltages | 400 V |
| Frequency | 50 Hz |
| Rated current | 2.1 A |
| Starting current | 8.51 A |
| Number of poles | 2 |
| Speed | 2810 1/min |
| Starting mode | Directly |
| Insulation class | E |

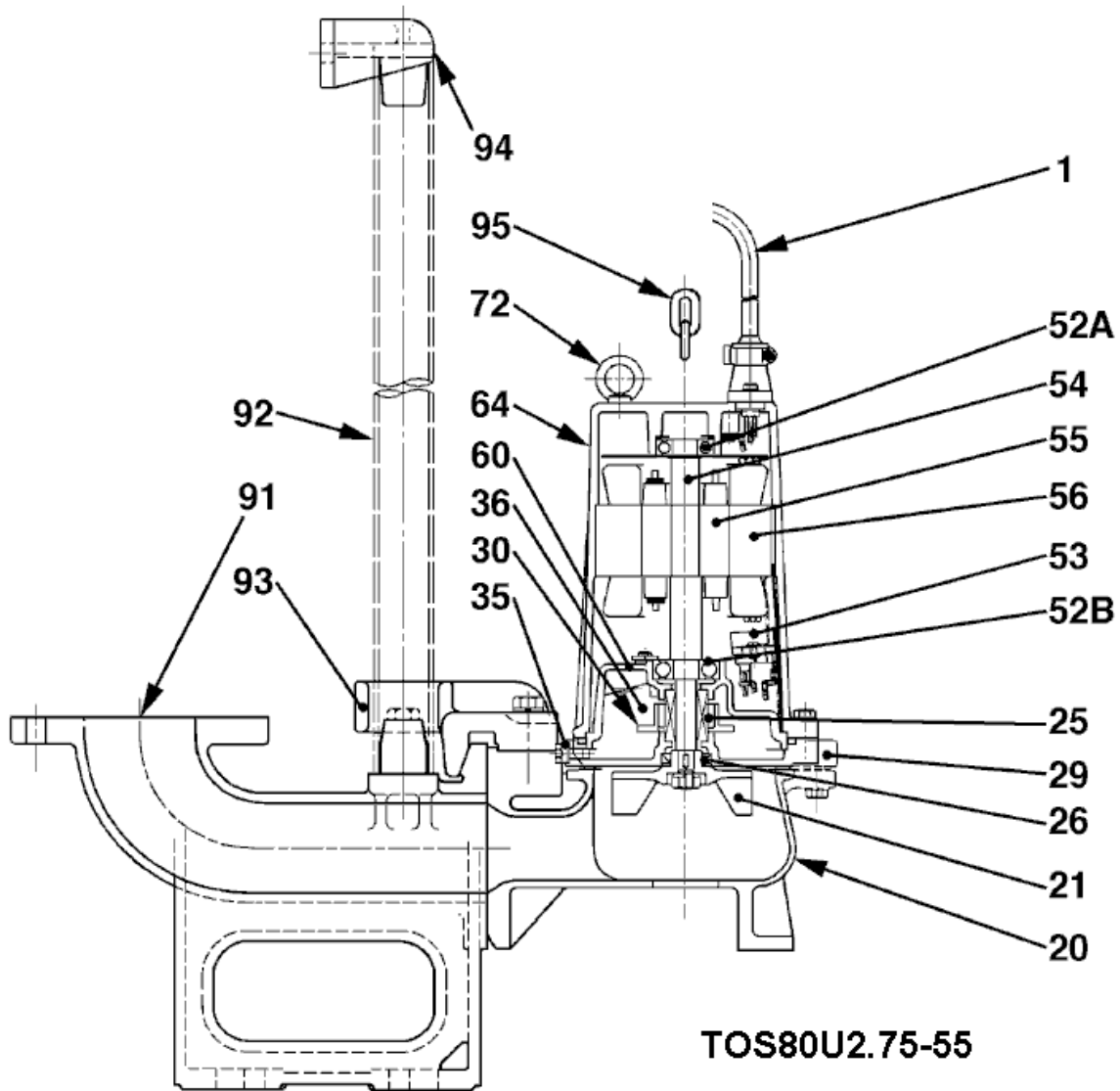


Dimensions TOS80U2.75-55



CWL: Continuous running water level
LWL: Lowest running water level

Sectional drawing TOS80U2.75-55



| No. | Description | Remark | No. | Description | Remark |
|-----|------------------------------|-------------------------|-----|--------------------------|----------------------------|
| 1 | Cable | H07RN-F | 72 | Eye screw (2x) | SUS304 (EN-X5CrNi18-10) |
| 20 | Pump casing | FC200 (EN-GJL-200) | 91 | duck foot bend | FC200 (EN-GJL-200) |
| 21 | Impeller | FC200 (EN-GJL-200) | 92 | Guide pipe (option) (2x) | Galvanized steel pipe SGPW |
| 25 | Mechanical seal | W-14HL | 93 | guide support | FC200 (EN-GJL-200) |
| 26 | Oil seal | SC-22357 | 94 | Guide pipe holder | FCD45 (EN-GJS-450-10) |
| 29 | Oil casing | FC150 (EN-GJL-150) | 95 | Lifting chain | Construction steel SS400 |
| 30 | Oil distributor | Plastic | | | |
| 35 | Oil screw | SUS304 (EN-X5CrNi18-10) | | | |
| 36 | Lubricant | Turbine oil (ISO VG32) | | | |
| 52A | Upper bearing | 6203ZZC3 | | | |
| 52B | Lower bearing | 6303ZZC3 | | | |
| 53 | Motor Protector 380/400/415V | 50Hz KA314-HRXL00 (H.C) | | | |
| 54 | Shaft | SUS403 (EN-X6Cr13) | | | |
| 55 | Rotor | . | | | |
| 56 | Stator | . | | | |
| 64 | Motor housing | FC150 (EN-GJL-150) | | | |