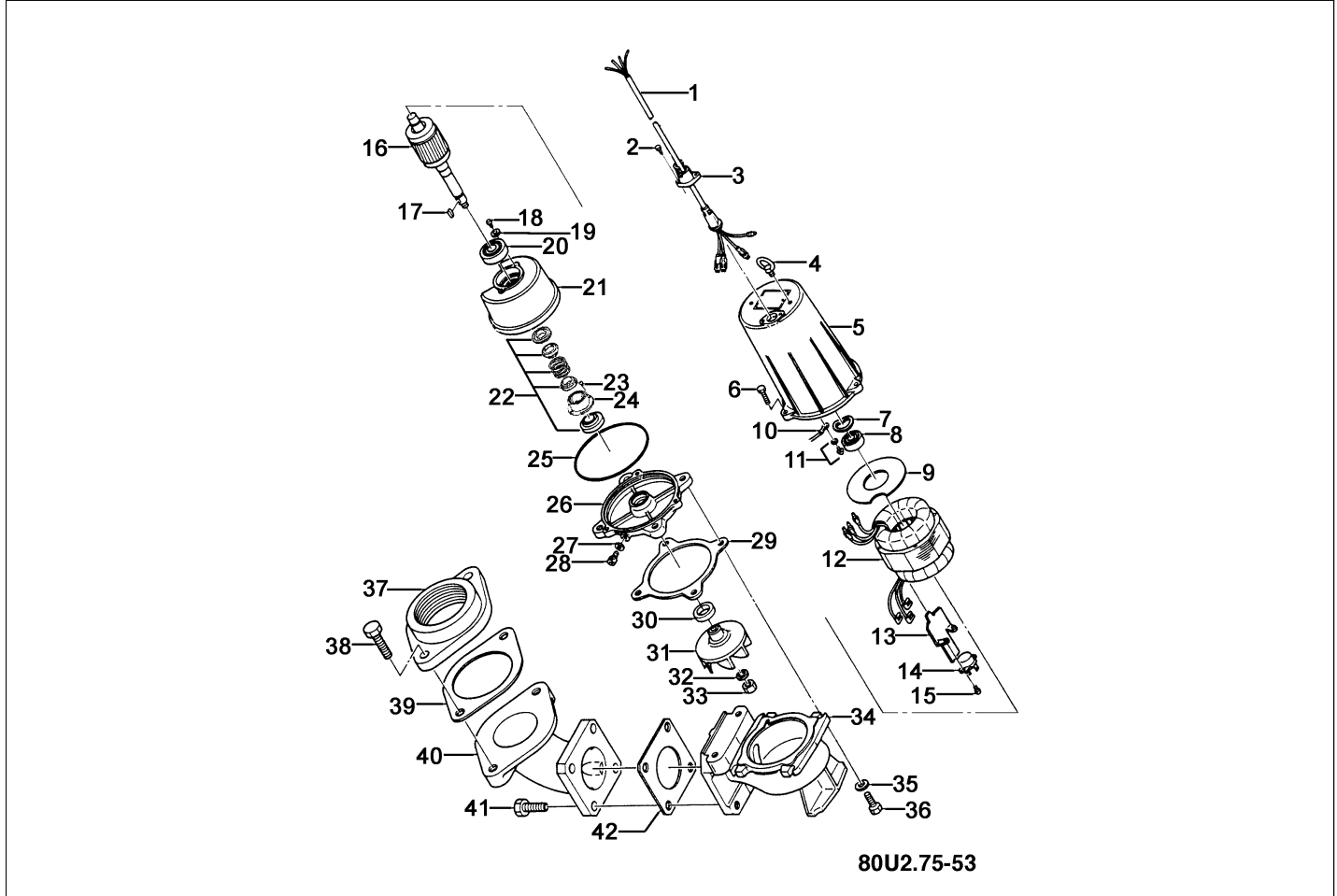


80U2.75-53

Kontroll-Nr. --

2024-03-19 V.01.02.2023

Pos.no	Item no.	Description	Qty.	UP / EUR
--------	----------	-------------	------	----------



1.1.1	173-462-16	Packing & O-Ring Set	1	
1	001-TEG-31	Cabletyre Cable Set (20m) H07RN-F4Cx1,5mm ² with gland	1	
1	M01-TEG-31	Cabletyre Cable Set (20m) NSSHÖU 4Cx1,5mm ²	1	
2	140-427-17	Hex.Bolt (w/Plain Washer) M5x15 SUS304 (EN X5CrNi18-10)	2	
3	003-190-10	Gland SUS316 (EN X5Cr-Ni-Mo17-12-2)	1	
4	072-105-12	Eye Bolt M8 SS	2	
5	064-000-64	Motor Frame FC	1	
6	140-057-12	Hex.Bolt M8x30 SUS304 (EN X5CrNi18-10) Stainless Steel	3	
7	142-194-18	Wave Washer #6203 SK-5	1	
8	052-186-15	Bearing AC-6203ZZC3	1	
9	058-000-34	Lead Wire Protection Plate d52xd115x1t Bakelite	1	
10	009-112-16	Earth Terminal 1.25mm ²	1	
11	143-085-34	Pan Screw (w/Spring Washer) M4x6 C3604 (EN CuZn39Pb3)	1	
12	056-003-31	Stator 380/400/415V-50HZ	1	
13	127-000-32	Protector Fixing Plate P.C.39.5x117L SECC	1	
14	053-465-14	Motor Protector 380/400/415V-50HZ KA311-DPXL62C (T.C)	1	
15	143-126-12	Pan Screw (w/Spring Washer/Plain Washer) M4x12 SWRM	2	
16	055-001-17	Rotor w/Bearing SUS403 (EN X6Cr13) Stainless Steel	1	
17	147-016-10	Impeller Key 4x4x10L SUS403 (EN X6Cr13)	1	
18	140-000-23	Hex.Bolt (w/Spring Washer) M5x10 SWRM	2	
19	062-187-17	Bearing Fixing Washer d5.5xd18x2.3t SPC	2	
20	052-106-11	Bearing 6303ZZC3	1	
21	060-230-10	Bearing Housing FC	1	
22	025-000-78	Mechanical Seal W-14HC SSIC	1	
23	143-070-23	Pan Screw M5x6 SWRM	1	
24	030-157-19	Oil Lifter W-14HL Resin	2	
25	122-072-17	O-Ring P-140 NBR	1	
26	029-238-24	Oil Casing U2-8T (FC)	1	
27	121-248-13	Packing d8.2xd13.5x2t PE	1	
28	035-112-17	Oil Plug M8x12 SUS304 (EN X5CrNi18-10) Stainless Steel	1	
29	121-339-12	Packing (O.Casing/P.Casing) d124xd144x3t NBR	1	
30	026-178-13	Oil Seal SC-22357 NBR	1	
31	021-E01-13	Impeller (50Hz) FC	1	
32	142-164-19	Spring Washer M10 SUS304	1	
33	141-006-77	Hex.Nut M10 S45C	1	
34	020-001-32	Pump Casing U-65-8 (FC)	1	
35	142-127-10	Plain Washer M8 SUS304 (EN X5CrNi18-10) Stainless Steel	4	
36	140-057-12	Hex.Bolt M8x30 SUS304 (EN X5CrNi18-10) Stainless Steel	4	
37	048-106-18	Screwed Flange 80mm(P.C.140) FC	1	
38	140-099-16	Hex.Bolt M12x40 SUS304	2	

80U2.75-53

Kontroll-Nr. --

2024-03-19 V.01.02.2023

Pos.no	Item no.	Description	Qty.	UP / EUR
39	121-137-18	Packing (Screwed Flange) MBT(P.C.140) NBR	1	
40	037-118-19	Discharge Bend 80mm(123-17) FC	1	
41	140-123-10	Hex.Bolt M16x35 SUS304 (EN X5Cr18-10)	4	
42	121-152-19	Packing 145mm2(P.C.145) NBR	1	
	173-462-16	Packing & O-Ring Set	1	
	##oilVG32	ml Turbine Oil ISO VG32	410	Price on req.