

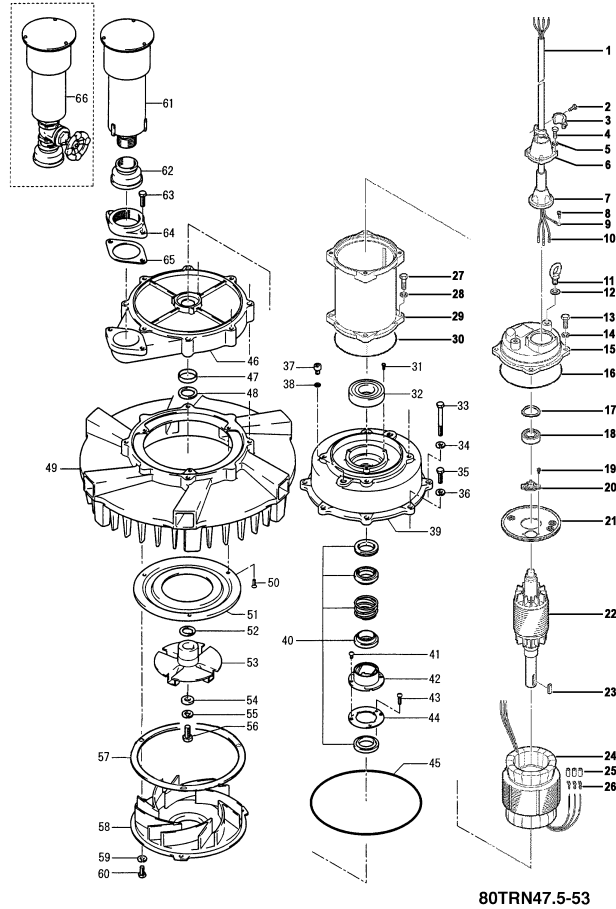
80TRN47.5-53

Kontroll-Nr. --

2024-03-19 V.01.02.2023

Pos.no	Item no.	Description	Qty.	UP / EUR
--------	----------	-------------	------	----------

80TRN47.5-53



1.1.1	173-003-65	Packing & O-Ring Set	1	
1	001-TEG-09	Cabletyre Cable Set (20m) H07RN-F4Cx2,5mm ² without stuffing box	1	
1	M01-TEG-09	Cabletyre Cable Set (20m) NSSHÖU 4Cx2,5mm ²	1	
2	140-035-14	Hex.Bolt M6x20 SUS304 (EN X5CrNi18-10) Stainless	2	
3	070-107-18	Cable Clamp FC	1	
4	140-056-11	Hex.Bolt M8x30 SUS304 (EN X5CrNi18-10) Stainless	4	
5	142-163-18	Spring Washer M8 SUS304	4	
6	006-126-14	Stuffing Box No.2 FC	1	
7	008-143-13	Mould Cover KR2-8 CR	1	
8	143-085-21	Pan Screw (w/Spring Washer) M4x6 SWRM	1	
9	009-130-10	Terminal R-5.5-4 CU	1	
10	009-276-19	Compression type Terminal 110V-50Hz(GBR) TMNB-5.5(Insulated) CU	3	
11	072-107-27	Eye Bolt M16 SUS304	2	
12	142-399-15	Washer d17xd29x0.1t SUS304 (EN X5CrNi18-10) Stainless Steel	1	
12	142-400-10	Washer d17xd29x0.3t SUS304 (EN X5CrNi18-10) Stainless Steel	1	
13	140-098-15	Hex.Bolt M12x35 SUS304	4	
14	142-165-10	Spring Washer M12 SUS304 (EN X5CrNi18-10) Stainless Steel	4	Price on req.
15	050-001-21	Motor Bracket FC200	1	
16	122-173-19	O-Ring V-225 NBR	1	
17	142-198-12	Wave Washer 6306 SK5	1	Price on req.
18	052-000-25	Bearing AC-6306ZZC3	1	
19	143-126-25	Pan Screw (w/Spring Washer/Plain Washer) M4x12 SWRM	2	
20	053-192-17	Motor Protector 220V-60HZ KA314-HKXL00 (B.C)	1	
21	058-000-09	Lead Wire Protection Plate d80xd224x1.6t (SPHC)	2	
22	055-000-02	Rotor	1	
23	147-163-13	Impeller Key 10x8x32L SUS420 (EN X20Cr13) Stainless Steel	1	
24	056-000-02	Stator 380/400/415V-50Hz	1	
25	002-000-02	Protection Tube NFG-1A,d7 (V/m)	1	
26	009-000-31	Terminal R-5.5-54 CU	3	
27	140-100-11	Hex.Bolt M12x45 SUS304 (EN X5CrNi18-10) Stainless Steel	4	Price on req.
28	142-165-10	Spring Washer M12 SUS304 (EN X5CrNi18-10) Stainless Steel	4	Price on req.
29	064-000-71	Motor Frame FC	1	
30	122-173-19	O-Ring V-225 NBR	1	
31	140-000-06	Hex.Bolt (w/Spring Washer/Plain Washer) M6x12 SWCH	3	
32	052-001-09	Bearing 6310ZZC3	1	
33	140-112-16	Hex.Bolt M12x110 SUS304 (EN X5CrNi18-10) Stainless Steel	4	
34	142-165-10	Spring Washer M12 SUS304 (EN X5CrNi18-10) Stainless Steel	4	Price on req.
35	140-099-16	Hex.Bolt M12x40 SUS304	4	
36	142-165-10	Spring Washer M12 SUS304 (EN X5CrNi18-10) Stainless Steel	4	Price on req.
37	035-113-18	Oil Plug M12x14 SUS304 (EN X5CrNi18-10) Stainless Steel	1	Price on req.

80TRN47.5-53

Kontroll-Nr. --

2024-03-19 V.01.02.2023

Pos.no	Item no.	Description	Qty.	UP / EUR
38	121-247-12	Packing d12.3xd18x2t PE	2	
39	060-000-02	Bearing Housing ADC	1	
40	025-000-61	Mechanical Seal H-40X(E) SiC	1	
41	143-070-23	Pan Screw M5x6 SWRM	2	
42	030-141-10	Oil Lifter H-40(T) Resin	1	
43	143-070-23	Pan Screw M5x6 SWRM	3	
44	030-149-18	Seal Stopper H-40/45 SPCC	1	
45	122-265-19	O-Ring (Brg.Housing/O.Casing) 335xø5.7 NBR	1	
46	018-104-13	Air Passage 37/110-TR FC	1	
47	026-200-28	Distance Piece 37/110-TR Stainless Steel	1	
48	026-205-10	Oil Seal VC-40586 NBR	1	
49	019-000-17	Guide Vane 80TRN47.5/11 FC	1	
50	140-000-55	Flat head Socket ScrewM10x20 EN X5CrNi18-10	3	
51	028-000-31	Middle Plate80TRN47.5 EN X10Cr13	3	
52	040-113-14	Impeller Shim d32.5xd48x0.3t SUS304 (EN X5CrNi18-10)	1	
53	021-007-15	Impeller (50Hz)80TRN47.5-52 DIN GX12Cr14	1	
54	142-103-10	Impeller Fixing Washer d18xd38x6t SUS403 (EN X5CrNi18-10) Stainless Steel	1	
55	142-166-11	Spring Washer M16 SUS304	1	
56	140-125-12	Hex.Bolt M16x45 SUS304	1	
57	120-000-17	Packing 50TRN42.2/5.5(d245xd296)PE	1	
58	022-001-56	Suction Cover (60Hz)80TRN412-62 DIN GX12Cr14	1	
59	142-165-10	Spring Washer M12 SUS304 (EN X5CrNi18-10) Stainless Steel	3	Price on req.
60	140-096-13	Hex.Bolt M12x25 SUS304	3	
61	215-000-08	Silencer Socket Set TRN47.5/11-52/62	1	
62	140-099-16	Hex.Bolt M12x40 SUS304	2	
63	048-106-18	Screwed Flange 80mm(P.C.140) FC	1	
64	121-137-18	Packing (Screwed Flange) MBT(P.C.140) NBR	1	
65	215-107-26	Silencer & Valve Set 75/150-TR Type(PF-3)	1	
	173-003-65	Packing & O-Ring Set	1	Price on req.
	#oilVG32	ml Turbine Oil ISO VG32	6000	Price on req.
	095-206-15	Chain 9mm(7L) EN X5CrNi18-10	1	
	011-133-10	Shackle 10mm EN X5CrNi18-10	3	
	095-176-15	Chain 9mmx5m SUS304 (EN X5CrNi18-10) Stainless Steel	1	