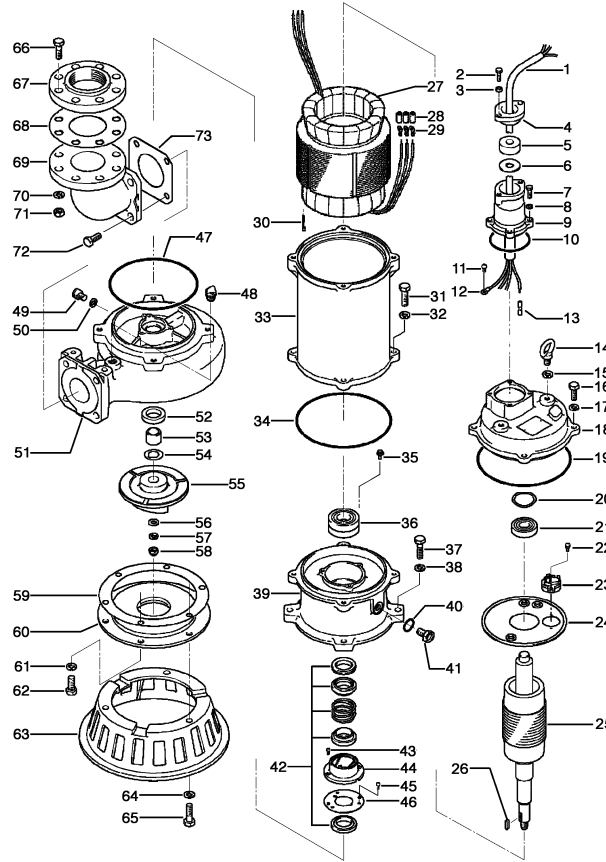


80SFQ27.5-53

2022-03-08

Pos.no	Item no.	Description	Qty.	UP / EUR
--------	----------	-------------	------	----------

80SFQ27.5-53


80SFQ27.5-53

1.1.1	173-000-51	Packing & O-Ring Set	1	561,96
1	001-009-41	Cabtyre Cable Set(10m)380/400/415V-50Hz(EUR,NSU) NSSHOU 4Gx2,5mm2	1	Price on req.
2	140-079-36	Hex.Bolt M10x40 SUS316 (DIN 1.4401) Stainless Steel	2	11,80
3	141-006-22	Hex.Nut M10 SUS316 (DIN 1.4401) Stainless Steel	2	8,36
4	003-112-18	Gland No.2 SCS14 (DIN 1.4408 GX5CrNiMo19-11-2) Stainless Steel Casting	1	244,27
5	004-131-16	Cable Bush d17xd49x20l CR	1	97,83
6	005-120-15	Bush Washer d19.5xd49x3.2t SPC	1	61,39
7	140-056-24	Hex.Bolt M8x30 SUS316 (DIN 1.4401) Stainless Steel	4	5,54
8	142-163-21	Spring Washer M8 SUS316 (DIN 1.4401) Stainless Steel	4	0,90
9	006-101-26	Stuffing Box 55/75-CL SCS14 (DIN 1.4408 GX5CrNiMo19-11-2) Stainless Steel Casting	1	983,81
10	122-126-20	O-Ring G-75 FPDm	1	24,79
11	143-085-21	Pan Screw (w/Spring Washer) M4x6 SWRM	1	0,61
12	009-130-10	Terminal R-5.5-4 CU	1	1,33
12	009-275-18	Compression type Terminal TGNB-5.5(Insulated) CU	1	2,54
13	009-275-18	Compression type Terminal TGNB-5.5(Insulated) CU	3	2,54
14	072-102-35	Eye Bolt M12 SUS316 (DIN 1.4401) Stainless Steel	2	107,43
15	142-001-09	Washer M10(d11.4xd17x0.1t) SUS316 (DIN 1.4401) Stainless Steel	1	7,97
	142-001-10	Washer M10(d11.4xd17x0.3t) SUS316 (DIN 1.4401) Stainless Steel	1	7,97
16	140-078-22	Hex.Bolt M10x35 SUS316 (DIN 1.4401) Stainless Steel	4	11,12
17	142-164-22	Spring Washer M10 SUS316 (DIN 1.4401) Stainless Steel	4	1,69
18	050-000-05	Motor Bracket SCS14 (DIN 1.4408 GX5CrNiMo19-11-2) Stainless Steel Casting	1	7.031,46
19	122-000-22	O-Ring V-530(524.5xd10) NBR	1	101,53
20	142-197-11	Wave Washer #6305 SK-5	1	6,12
21	052-108-13	Bearing 6305ZC3	1	37,50
22	143-126-25	Pan Screw (w/Spring Washer/Plain Washer) M4x12 SWRM	2	0,78
23	053-000-29	Motor Protector 380/400/415-50HZ KA314-HRBL201 (H.C)	1	521,81
24	058-184-11	Lead Wire Protection Plate d90xd224x1.6t SPHC	1	232,81
25	055-003-82	Rotor	1	4.749,47
26	147-080-15	Impeller Key 7x7x18l SUS316 (DIN 1.4401) Stainless Steel	1	44,20
27	056-007-33	Stator 380/400/415V-50Hz(EUR)	1	3.191,07
28	002-000-02	Protection Tube NFG-1A,d7 (V/m)	1	9,44
29	009-000-31	Terminal R-5.5-54 CU	3	1,61
30	147-000-03	Key 7x3.5x40l S45C	1	30,70
31	140-079-23	Hex.Bolt M10x40 SUS316 (DIN 1.4401) Stainless Steel	4	11,94
32	142-164-22	Spring Washer M10 SUS316 (DIN 1.4401) Stainless Steel	4	1,69
33	064-000-05	Motor Frame SCS14 (DIN 1.4408 GX5CrNiMo19-11-2) Stainless Steel Casting	1	9.338,29
34	122-000-29	O-Ring G-200 FPDm	1	182,99
35	140-000-06	Hex.Bolt (w/Spring Washer/Plain Washer) M6x12 SWCH	3	1,23
36	052-139-13	Bearing 6308ZZD2C3	1	275,04
37	140-100-24	Hex.Bolt M12x45 SUS316 (DIN 1.4401) Stainless Steel	4	14,17

80SFQ27.5-53

Kontroll-Nr. --

2022-03-08 V.01.02.2022

Pos.no	Item no.	Description	Qty.	UP / EUR
38	142-165-23	Spring Washer M12 SUS316 (DIN 1.4401) Stainless Steel	4	2,21
39	060-000-08	Bearing Housing SCS14 (DIN 1.4408 GX5CrNiMo19-11-2) Stainless Steel Casting	1	11.255,52
40	122-259-23	O-Ring 12xd3 FPDm	1	7,08
41	035-102-14	Oil Plug M12x16(B=21) SUS316 (DIN 1.4401) Stainless Steel	1	26,97
42	025-191-19	Mechanical Seal X-30W SiC	1	1.856,48
43	143-070-23	Pan Screw M5x6 SWRM	2	0,37
44	030-142-11	Oil Lifter H-30(A)(T) Resin	1	8,89
45	143-070-10	Pan Screw M5x6 SWRM	3	0,37
46	030-151-13	Seal Stopper H-30(A)(T) SPCC	1	10,83
47	122-406-14	O-Ring 195xd3.1 FPDm	1	134,59
48	046-000-04	Air Release Valve PT-1/2 SUS316 (DIN 1.4401) Stainless Steel	1	165,28
49	035-109-11	Oil Plug M8x12 SUS316 (DIN 1.4401) Stainless Steel	1	18,89
50	121-248-13	Packing d8.2xd13.5x2t PE	1	1,04
51	020-000-96	Pump Casing 80SFQ25.5/27.5/211 SCS14 (DIN 1.4408 GX5CrNiMo19-11-2) Stainless Steel Casting	1	7.337,22
52	026-000-26	Oil Seal TC-35508 FPDm	1	458,57
53	071-344-12	Shaft Sleeve 80SFQ25.5/7.5/11 SUS316 (DIN 1.4401) Stainless Steel	1	269,04
54	040-117-18	Impeller Shim d25.2xd38x0.3t SUS316 (DIN 1.4401) Stainless Steel	1	8,36
55	021-373-15	Impeller (50Hz) 50Hz SCS14 (DIN 1.4408 GX5CrNiMo19-11-2) Stainless Steel Casting	1	1.420,13
56	142-130-32	Plain Washer M16 SUS316 (EN X5CrNiMo17-12-2) Stainless Steel	1	3,60
57	142-166-24	Spring Washer M16 SUS316 (DIN 1.4401) Stainless Steel	1	5,29
58	141-033-28	Hex.Cap Nut M16 SUS316 (DIN 1.4401) Stainless Steel	1	51,42
59	120-121-16	Packing d204xd264x0.3t PE	1	7,22
60	022-333-16	Suction Cover 75/110-CL SCS14 (DIN 1.4408 GX5CrNiMo19-11-2) Stainless Steel Casting	1	1.778,63
61	142-165-23	Spring Washer M12 SUS316 (DIN 1.4401) Stainless Steel	3	2,21
62	140-096-26	Hex.Bolt M12x25 SUS316 (DIN 1.4401) Stainless Steel	3	9,44
63	023-123-27	Pump Stand 55/110-CL SCS14 (DIN 1.4408 GX5CrNiMo19-11-2) Stainless Steel Casting	1	2.487,31
64	142-165-23	Spring Washer M12 SUS316 (DIN 1.4401) Stainless Steel	3	2,21
65	140-099-29	Hex.Bolt M12x40 SUS316 (DIN 1.4401) Stainless Steel	3	11,94
66	140-130-23	Hex.Bolt M16x70 SUS316 (DIN 1.4401) Stainless Steel	8	33,06
67	048-000-03	Screwed Flange PF-3(JIS10K) SCS14 (DIN 1.4408 GX5CrNiMo19-11-2) Stainless Steel Casting	1	1.278,56
68	121-000-18	Packing JIS10Kx80mm Cork	1	73,19
69	037-000-08	Discharge Bend 80x80mm(JIS10K) SCS14 (DIN 1.4408 GX5CrNiMo19-11-2) Stainless Steel Casting	1	2.598,49
70	142-166-24	Spring Washer M16 SUS316 (DIN 1.4401) Stainless Steel	8	5,29
71	141-008-24	Hex.Nut M16 SUS316 (DIN 1.4401) Stainless Steel	8	11,80
72	140-124-24	Hex.Bolt M16x40 SUS316 (DIN 1.4401) Stainless Steel	4	21,24
73	121-154-11	Packing 145mm2(P.C.145) Cork	1	27,16
	093-154-11	Guide Hook TOS-80-14 SCS14 (DIN 1.4408 GX5CrNiMo19-11-2) Stainless Steel Casting	1	2.532,31
	140-100-24	Hex.Bolt M12x45 SUS316 (DIN 1.4401) Stainless Steel	2	14,17
	142-165-23	Spring Washer M12 SUS316 (DIN 1.4401) Stainless Steel	4	2,21
	091-000-14	Duck Foot Bend TOS-80H SCS14 (DIN 1.4408 GX5CrNiMo19-11-2) Stainless Steel Casting	1	9.449,26
	096-122-19	Guide Connector 34mm SUS316 (DIN 1.4401) Stainless Steel	2	147,57
	140-101-25	Hex.Bolt M12x50 SUS316 (DIN 1.4401) Stainless Steel	2	14,17
	094-132-16	Guide Support TOS-80-14 SCS14 (DIN 1.4408 GX5CrNiMo19-11-2) Stainless Steel Casting	1	544,24
	140-079-23	Hex.Bolt M10x40 SUS316 (DIN 1.4401) Stainless Steel	2	11,94
	141-006-22	Hex.Nut M10 SUS316 (DIN 1.4401) Stainless Steel	2	8,36
	142-128-37	Plain Washer M10 SUS316 (EN X5CrNiMo17-12-2) Stainless Steel	2	1,19
	173-000-51	Packing & O-Ring Set	1	561,96
	##oilVG32	ml Turbine Oil ISO VG32	2250	Price on req.