

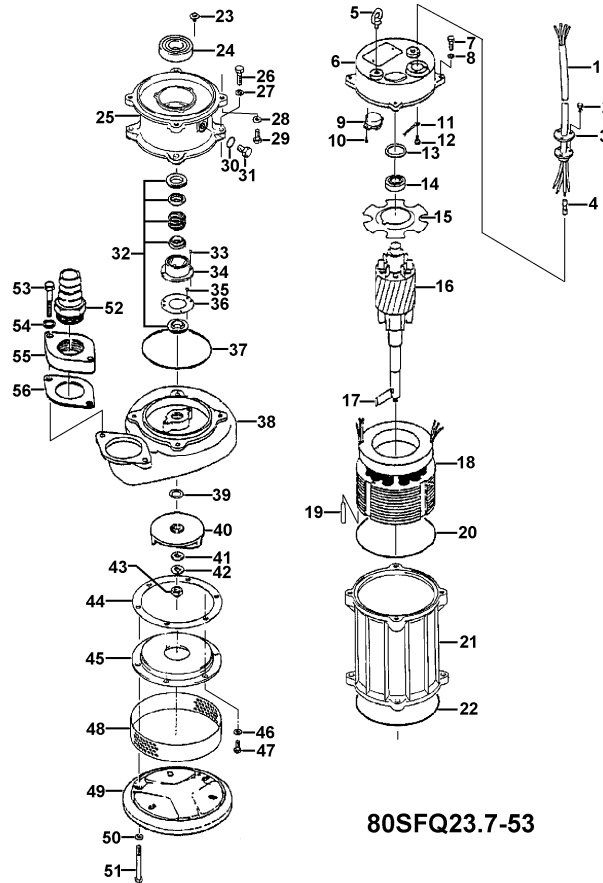
80SFQ23.7-53

Kontroll-Nr. --

2024-03-18 V.01.02.2023

Pos.no	Item no.	Description	Qty.	UP / EUR
--------	----------	-------------	------	----------

80SFQ23.7-53



1.1.1	173-281-19	Packing & O-Ring Set	1	
1	001-008-32	Cabletyre Cable Set (10m)380/400/415V-50Hz NSSHOEU-J 4Gx1,5mm2	1	
2	140-021-20	Hex.Bolt M5x20 SUS316 (DIN 1.4401) Stainless Steel	3	
3	003-157-15	Gland 37-CL2 SUS316 (DIN 1.4401) Stainless Steel	1	
4	009-275-18	Compression type Terminal TGNB-5.5(Insulated) CU	4	
5	072-100-33	Eye Bolt M10 SUS316 (DIN 1.4401) Stainless Steel	2	
6	050-484-10	Motor Bracket DIN GX12Cr144	1	
7	140-055-10	Hex.Bolt M8x25 SUS304	4	
8	142-163-21	Spring Washer M8 SUS316 (DIN 1.4401) Stainless Steel	4	
9	053-519-14	Motor Protector 380/400/415V-50HzKA313-GDTL103(T.C)	1	
10	143-126-12	Pan Screw (w/Spring Washer/Plain Washer) M4x12 SWRM	2	
11	009-293-12	Earth Terminal 2mm2x180l	1	
12	143-085-34	Pan Screw (w/Spring Washer) M4x6 C3604 (EN CuZn39Pb3)	1	
13	142-196-10	Wave Washer 6205/6304 SK5	1	
14	052-107-12	Bearing 6304ZZC3	1	
15	058-000-04	Lead Wire Protection Plate d66xd150x1.5t Bakelite	1	
16	055-000-36	Rotor S3640	1	
17	147-085-10	Impeller Key 5x5x22l SUS316 (DIN 1.4401) Stainless Steel	1	
18	056-012-91	Stator 380/400/415V-50Hz	1	
19	145-022-13	Taper Pin d6x40 S45C	1	
20	122-332-21	O-Ring 160xd2 FPDm	1	
21	064-002-19	Motor Frame DIN GX12Cr144	1	
22	122-332-21	O-Ring 160xd2 FPDm	1	
23	140-000-06	Hex.Bolt (w/Spring Washer/Plain Washer) M6x12 SWCH	3	
24	052-110-18	Bearing 6307ZZC3	1	
25	060-276-18	Bearing Housing SCS14 (DIN 1.4408 GX5CrNiMo19-11-2) Stainless Steel Casting	1	
26	140-076-20	Hex.Bolt M10x30 SUS316 (DIN 1.4401) Stainless Steel	4	
27	142-164-22	Spring Washer M10 SUS316 (DIN 1.4401) Stainless Steel	4	
28	142-163-21	Spring Washer M8 SUS316 (DIN 1.4401) Stainless Steel	4	
29	140-055-10	Hex.Bolt M8x25 SUS304	4	
30	122-259-23	O-Ring 12xd3 FPDm	1	
31	035-102-14	Oil Plug M12x16(B=21) SUS316 (DIN 1.4401) Stainless Steel	1	
32	025-188-13	Mechanical Seal X-25W SiC	1	
33	143-070-23	Pan Screw M5x6 SWRM	2	
34	030-143-12	Oil Lifter H-25(A)(T) Resin	1	
35	143-070-23	Pan Screw M5x6 SWRM	2	
36	030-152-14	Seal Stopper H-25(A)(T) SPCC	1	
37	122-143-23	O-Ring G-160 FPDm	1	
38	020-548-10	Pump Casing 37-CL2 SCS14 (DIN 1.4408 GX5CrNiMo19-11-2) Stainless Steel Casting	1	
39	040-120-14	Impeller Shim d20.2xd30x0.3t SUS316 (DIN 1.4401) Stainless Steel	1	

80SFQ23.7-53

Kontroll-Nr. --

2024-03-18 V.01.02.2023

Pos.no	Item no.	Description	Qty.	UP / EUR
40	021-224-10	Impeller (50Hz) SCS14 (DIN 1.4408 GX5CrNiMo19-11-2) Stainless Steel Casting	1	
41	142-130-32	Plain Washer M16 SUS316 (EN X5CrNiMo17-12-2) Stainless Steel	1	
42	142-166-24	Spring Washer M16 SUS316 (DIN 1.4401) Stainless Steel	1	
43	141-033-28	Hex.Cap Nut M16 SUS316 (DIN 1.4401) Stainless Steel	1	
44	120-127-12	Packing d171xd186x0.3t PE	1	
45	022-307-11	Suction Cover 37-CL SCS14 (DIN 1.4408 GX5CrNiMo19-11-2) Stainless Steel Casting	1	
46	142-164-22	Spring Washer M10 SUS316 (DIN 1.4401) Stainless Steel	3	
47	140-074-28	Hex.Bolt M10x20 SUS316 (DIN 1.4401) Stainless Steel	3	
48	023-116-27	Strainer 37-CL SUS316 (DIN 1.4401) Stainless Steel	1	
49	049-129-10	Bottom Plate 37-CL SCS14 (DIN 1.4408 GX5CrNiMo19-11-2) Stainless Steel Casting	1	
50	142-164-22	Spring Washer M10 SUS316 (DIN 1.4401) Stainless Steel	3	
51	140-086-23	Hex.Bolt M10x75 SUS316 (DIN 1.4401) Stainless Steel	3	
52	032-124-13	Hose Coupling 80mm SCS14 (DIN 1.4408 GX5CrNiMo19-11-2) Stainless Steel Casting	1	
53	140-098-28	Hex.Bolt M12x35 SUS316 (DIN 1.4401) Stainless Steel	2	
54	142-165-23	Spring Washer M12 SUS316 (DIN 1.4401) Stainless Steel	2	
55	048-119-14	Screwed Flange 80mm(P.C.140) SCS14 (DIN 1.4408 GX5CrNiMo19-11-2) Stainless Steel Casting	1	
56	121-150-17	Packing P.C.140xd85x2t Cork	1	
	173-281-19	Packing & O-Ring Set	1	
	##oilVG32	ml Turbine Oil ISO VG32	850	Price on req.