

80SFQ23.7-53

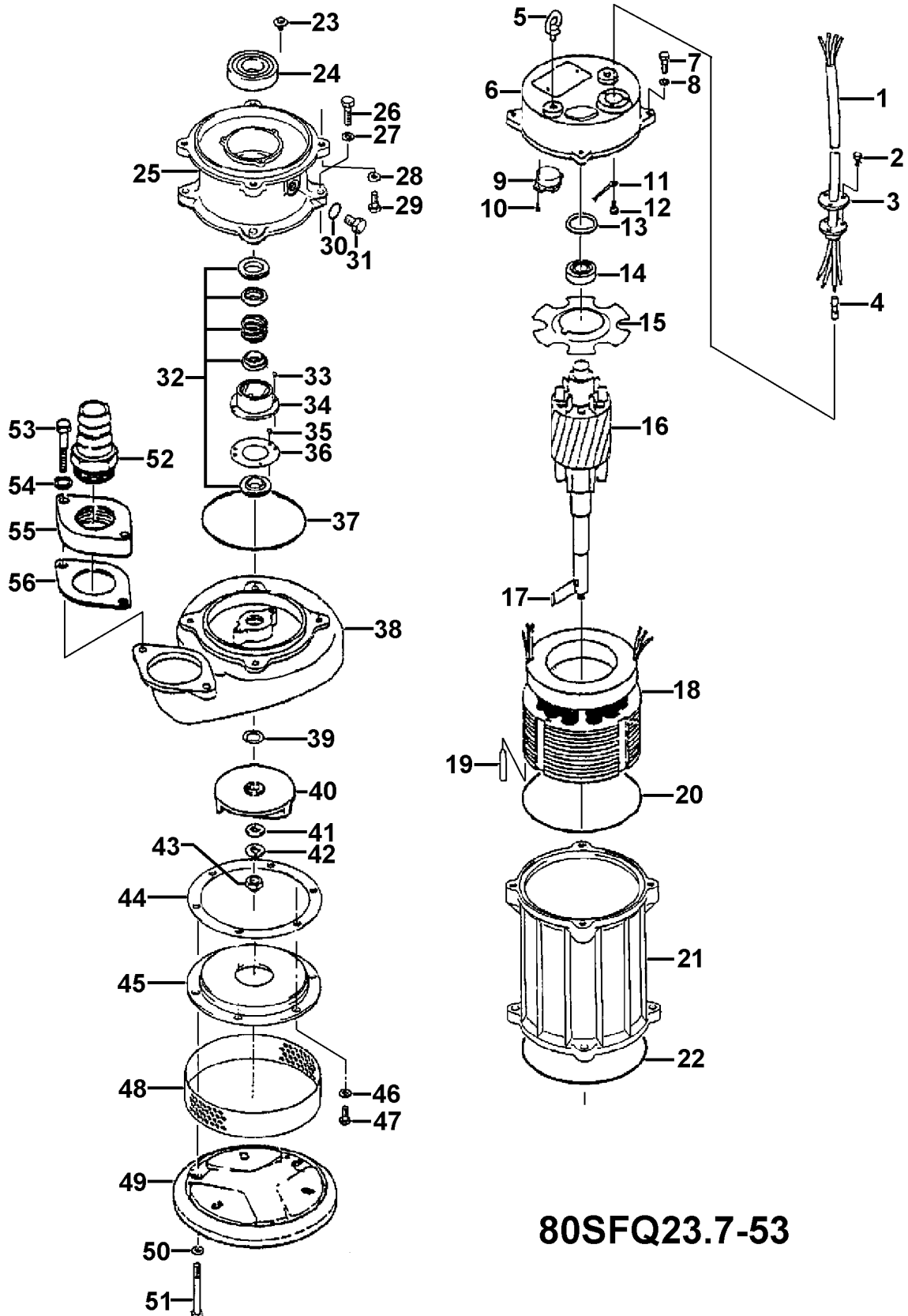
Kontroll-Nr. --

2019-02-1€ V.01.02.2019

Pos.no	Item no.	Description	Quant.	UP
		Packing O-Ring Set	1	Price on req.
1	001-004-96	Cabletyre Cable Set (10m)380/400/415V-50Hz(EUR)H07RNF4Cx1.5mm2CL(HAR)	1	Price on req.
2	140-021-20	Hex.Bolt M5x20 SUS316 (DIN 1.4401) Stainless Steel	3	Price on req.
3	003-157-15	Gland 37-CL2 SUS316 (DIN 1.4401) Stainless Steel	1	Price on req.
4	009-275-18	Compression type Terminal TGNB-5.5(Insulated) CU	4	Price on req.
5	072-100-33	Eye Bolt M10 SUS316 (DIN 1.4401) Stainless Steel	2	Price on req.
6	050-484-10	Motor Bracket DIN GX12Cr144	1	Price on req.
7	140-055-10	Hex.Bolt M8x25 SUS304	4	Price on req.
8	142-163-21	Spring Washer M8 SUS316 (DIN 1.4401) Stainless Steel	4	Price on req.
9	053-519-14	Motor Protector 380/400/415V-50HzKA313-GDTL103(T.C)	1	Price on req.
10	143-126-12	Pan Screw (w/Spring Washer/Plain Washer) M4x12 SWRM	2	Price on req.
11	009-293-12	Earth Terminal 2mm2x180l	1	Price on req.
12	143-085-34	Pan Screw (w/Spring Washer) M4x6 C3604 (EN CuZn39Pb3)	1	Price on req.
13	142-196-10	Wave Washer 6205/6304 SK5	1	Price on req.
14	052-107-12	Bearing 6304ZZC3	1	Price on req.
15	058-000-04	Lead Wire Protection Plate d66xd150x1.5t Bakelite	1	Price on req.
16	055-000-36	Rotor S3640	1	Price on req.
17	147-085-10	Impeller Key 5x5x22l SUS316 (DIN 1.4401) Stainless Steel	1	Price on req.
18	056-001-29	Stator 380/400/415V-50Hz	1	Price on req.
19	145-022-13	Taper Pin d6x40 S45C	1	Price on req.
20	122-332-21	O-Ring 160xd2 FPDm	1	Price on req.
21	064-000-22	Motor Frame DIN GX12Cr144	1	Price on req.
22	122-332-21	O-Ring 160xd2 FPDm	1	Price on req.
23	140-000-06	Hex.Bolt (w/Spring Washer/Plain Washer) M6x12 SWCH	3	Price on req.
24	052-110-18	Bearing 6307ZZC3	1	Price on req.
25	060-276-18	Bearing Housing SCS14 (DIN 1.4408 GX5CrNiMo19-11-2) Stainless Steel Casting	1	Price on req.
26	140-076-20	Hex.Bolt M10x30 SUS316 (DIN 1.4401) Stainless Steel	4	Price on req.
27	142-164-22	Spring Washer M10 SUS316 (DIN 1.4401) Stainless Steel	1	Price on req.
28	142-163-21	Spring Washer M8 SUS316 (DIN 1.4401) Stainless Steel	4	Price on req.
29	140-055-10	Hex.Bolt M8x25 SUS304	4	Price on req.
30	122-259-23	O-Ring 12xd3 FPDm	1	Price on req.
31	035-102-14	Oil Plug M12x16(B=21) SUS316 (DIN 1.4401) Stainless Steel	1	Price on req.
32	025-188-13	Mechanical Seal X-25W SiC	1	Price on req.
33	143-070-23	Pan Screw M5x6 SWRM	2	Price on req.
34	030-143-12	Oil Lifter H-25(A)(T) Resin	1	Price on req.
35	143-070-10	Pan Screw M5x6 SWRM	2	Price on req.
36	030-152-14	Seal Stopper H-25(A)(T) SPCC	1	Price on req.
37	122-143-23	O-Ring G-160 FPDm	1	Price on req.
38	020-548-10	Pump Casing 37-CL2 SCS14 (DIN 1.4408 GX5CrNiMo19-11-2) Stainless Steel Casting	1	Price on req.
39	040-120-14	Impeller Shim d20.2xd30x0.3t SUS316 (DIN 1.4401) Stainless Steel	1	Price on req.
40	021-224-10	Impeller (50Hz) 50Hz SCS14 (DIN 1.4408 GX5CrNiMo19-11-2) Stainless Steel Casting	1	Price on req.
41	142-130-32	Plain Washer M16 SUS316 (EN X5CrNiMo17-12-2) Stainless Steel	1	Price on req.
42	142-166-24	Spring Washer M16 SUS316 (DIN 1.4401) Stainless Steel	1	Price on req.
43	141-033-28	Hex.Cap Nut M16 SUS316 (DIN 1.4401) Stainless Steel	1	Price on req.
44	120-127-12	Packing d171xd186x0.3t PE	1	Price on req.
45	022-307-11	Suction Cover 37-CL SCS14 (DIN 1.4408 GX5CrNiMo19-11-2) Stainless Steel Casting	1	Price on req.
46	142-164-22	Spring Washer M10 SUS316 (DIN 1.4401) Stainless Steel	3	Price on req.
47	140-074-28	Hex.Bolt M10x20 SUS316 (DIN 1.4401) Stainless Steel	3	Price on req.
48	023-116-27	Strainer 37-CL SUS316 (DIN 1.4401) Stainless Steel	1	Price on req.
49	049-129-10	Bottom Plate 37-CL SCS14 (DIN 1.4408 GX5CrNiMo19-11-2) Stainless Steel Casting	1	Price on req.
50	142-164-22	Spring Washer M10 SUS316 (DIN 1.4401) Stainless Steel	3	Price on req.
51	140-086-23	Hex.Bolt M10x75 SUS316 (DIN 1.4401) Stainless Steel	3	Price on req.
52	032-124-13	Hose Coupling 80mm SCS14 (DIN 1.4408 GX5CrNiMo19-11-2) Stainless Steel Casting	1	Price on req.
53	140-098-28	Hex.Bolt M12x35 SUS316 (DIN 1.4401) Stainless Steel	2	Price on req.
54	142-165-23	Spring Washer M12 SUS316 (DIN 1.4401) Stainless Steel	2	Price on req.
55	048-119-14	Screwed Flange 80mm(P.C.140) SCS14 (DIN 1.4408 GX5CrNiMo19-11-2) Stainless Steel Casting	1	Price on req.
56	121-150-17	Packing P.C.140xd85x2t Cork	1	Price on req.
	173-281-19	Packing & O-Ring Set	1	Price on req.
	##oilVG32	ml Turbine Oil ISO VG32	850	Price on req.

Exploded View

80SFQ23.7-53



80SFQ23.7-53