

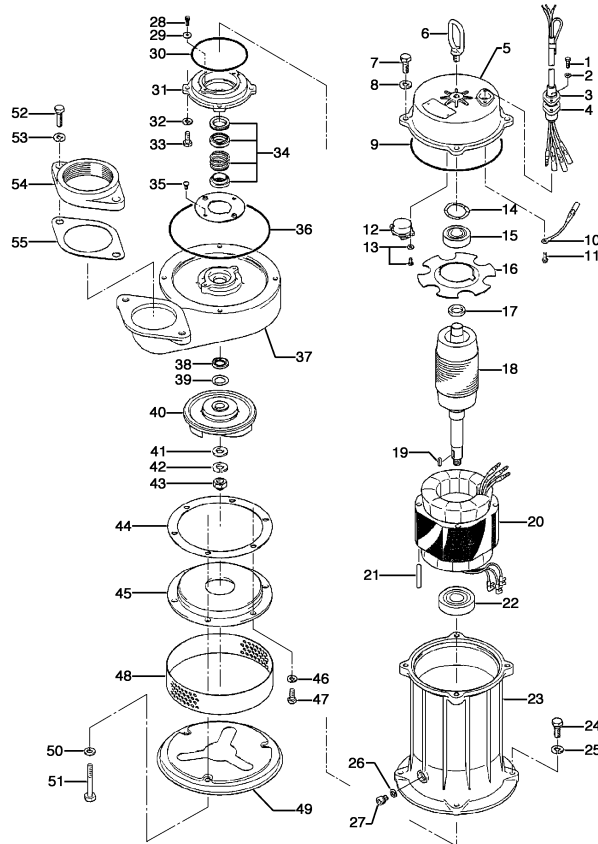
80SFQ21.5-52

Kontroll-Nr. --

2024-03-15 V.01.02.2023

Pos.no	Item no.	Description	Qty.	UP / EUR
--------	----------	-------------	------	----------

80SFQ21.5-52


80SFQ21.5-52

1.1.1	173-000-49	Packing & O-Ring Set	1	
1	140-018-24	Hex.Bolt M5x15 SUS316 (DIN 1.4401) Stainless Steel	2	
2	142-125-34	Plain Washer M5 SUS316 (DIN 1.4401) Stainless Steel	2	
3	003-190-10	Gland SUS316 (EN X5Cr-Ni-Mo17-12-2)	1	
4	001-TEG-31	Cabletyre Cable Set (20m) H07RN-F4Cx1,5mm ² with gland	1	
4	M01-TEG-31	Cabletyre Cable Set (20m) NSSHÖU 4Cx1,5mm ²	1	
5	050-000-09	Motor Bracket SCS14 (DIN 1.4408 GX5CrNiMo19-11-2) Stainless Steel Casting	1	
6	072-000-02	Eye Bolt M10 SUS316 (DIN 1.4401) Stainless Steel	1	
7	140-055-10	Hex.Bolt M8x25 SUS304	4	
8	142-163-21	Spring Washer M8 SUS316 (DIN 1.4401) Stainless Steel	4	
9	122-000-06	O-Ring G-145 FPDm	1	
10	009-211-16	Earth Terminal 1.25mm2x120l	1	
11	143-085-34	Pan Screw (w/Spring Washer) M4x6 C3604 (EN CuZn39Pb3)	1	
12	053-000-02	Motor Protector 380V-50Hz(CHN) KA313-GDVL103 (T.C)	1	
12	053-000-12	Motor Protector 400/460V-50HZ,480V-60HZ KA313-GQVL104 (T.C)	1	
13	143-126-12	Pan Screw (w/Spring Washer/Plain Washer) M4x12 SWRM	2	
14	142-389-12	Wave Washer #6204 SK-5	1	
15	052-187-16	Bearing (w/O-ring) AC-6204ZZC3	1	
16	058-000-13	Lead Wire Protection Plate d61xd136x2t (Resin)	1	
17	061-174-18	Slinger d20xd27x2t SPC	1	
18	055-000-03	Rotor	1	
19	147-039-19	Impeller Key 5x5x15.5l SUS316 (DIN 1.4401) Stainless Steel	1	
20	056-012-86	Stator 380/400/415V-50Hz	1	
20	056-001-20	Stator 440/460V-50HZ,480V-60HZ	1	
21	145-027-18	Taper Pin d5x40 S45C	1	
22	052-108-13	Bearing 6305ZZC3	1	
22	064-002-16	Motor Frame SCS14 (DIN 1.4408 GX5CrNiMo19-11-2) Stainless Steel Casting	1	
24	140-056-24	Hex.Bolt M8x30 SUS316 (DIN 1.4401) Stainless Steel	4	
25	142-163-21	Spring Washer M8 SUS316 (DIN 1.4401) Stainless Steel	4	
26	121-387-15	Packing d10.3xd16x3t PE	1	
27	035-117-12	Oil Plug M10x20 SUS316 (DIN 1.4401) Stainless Steel	1	
28	140-000-23	Hex.Bolt (w/Spring Washer) M5x10 SWRM	2	
29	062-187-17	Bearing Fixing Washer d5.5xd18x2.3t SPC	2	
30	122-130-14	O-Ring G-95 NBR	1	
31	060-267-16	Bearing Housing FC	1	
32	142-126-19	Plain Washer M6 SUS304 (EN X5CrNi18-10) Stainless	4	
33	140-032-11	Hex.Bolt M6x15 SUS304 (EN X5CrNi18-10) Stainless Steel	4	
34	025-190-18	Mechanical Seal X-18W SiC	1	
35	143-070-23	Pan Screw M5x6 SWRM	2	
36	122-000-20	O-Ring 165xd3.1 FPDm	1	

80SFQ21.5-52

Kontroll-Nr. --

2024-03-15 V.01.02.2023

Pos.no	Item no.	Description	Qty.	UP / EUR
37	020-317-18	Pump Casing 8/15-CL SCS14 (DIN 1.4408 GX5CrNiMo19-11-2) Stainless Steel Casting	1	
38	071-106-10	Shaft Sleeve 8/15-CL SUS316 (DIN 1.4401) Stainless Steel	1	
39	040-115-16	Impeller Shim d16.2xd22x0.3t SUS316 (DIN 1.4401) Stainless Steel	1	
40	021-276-17	Impeller (50Hz) SCS14 (DIN 1.4408 GX5CrNiMo19-11-2) Stainless Steel Casting	1	
40	021-275-16	Impeller (60Hz) SCS14 (DIN 1.4408 GX5CrNiMo19-11-2) Stainless Steel Casting	1	
41	142-129-38	Plain Washer M12 SUS316 (DIN 1.4401) Stainless Steel	1	
42	142-165-23	Spring Washer M12 SUS316 (DIN 1.4401) Stainless Steel	1	
43	141-032-27	Hex.Cap Nut M12 SUS316 (DIN 1.4401) Stainless Steel	1	
44	120-132-10	Packing (S.Cover) d150xd183x0.3t PE	1	
45	022-305-19	Suction Cover 8/15-CL SCS14 (DIN 1.4408 GX5CrNiMo19-11-2) Stainless Steel Casting	1	
46	142-163-21	Spring Washer M8 SUS316 (DIN 1.4401) Stainless Steel	3	
47	140-052-20	Hex.Bolt M8x16 SUS316 (DIN 1.4401) Stainless Steel	3	
48	023-115-26	Strainer 8/15-CL SUS316 (DIN 1.4401) Stainless Steel	1	
49	049-128-19	Bottom Plate 8/15-CL SUS316 (DIN 1.4401) Stainless Steel	1	
50	142-127-36	Plain Washer M8 SUS316 (EN X5CrNiMo17-12-2) Stainless Steel	3	
51	140-060-21	Hex.Bolt M8x50 SUS316 (DIN 1.4401) Stainless Steel	3	
52	140-098-28	Hex.Bolt M12x35 SUS316 (DIN 1.4401) Stainless Steel	2	
53	142-165-23	Spring Washer M12 SUS316 (DIN 1.4401) Stainless Steel	2	
54	048-119-14	Screwed Flange 80mm(P.C.140) SCS14 (DIN 1.4408 GX5CrNiMo19-11-2) Stainless Steel Casting	1	
55	121-150-17	Packing P.C.140xd85x2t Cork	1	
	173-000-49	Packing & O-Ring Set	1	
	##oilVG32	ml Turbine Oil ISO VG32	1200	Price on req.