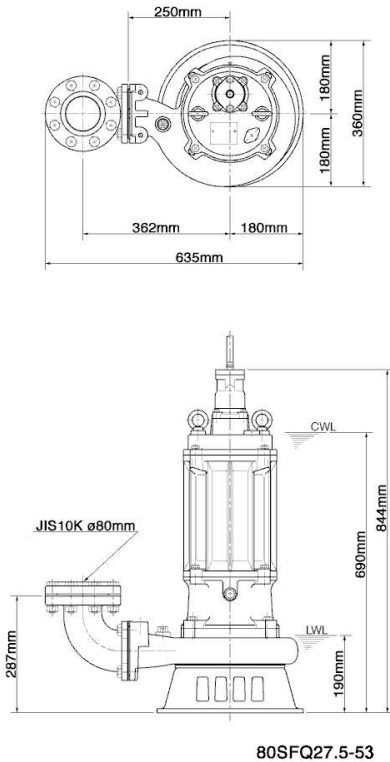
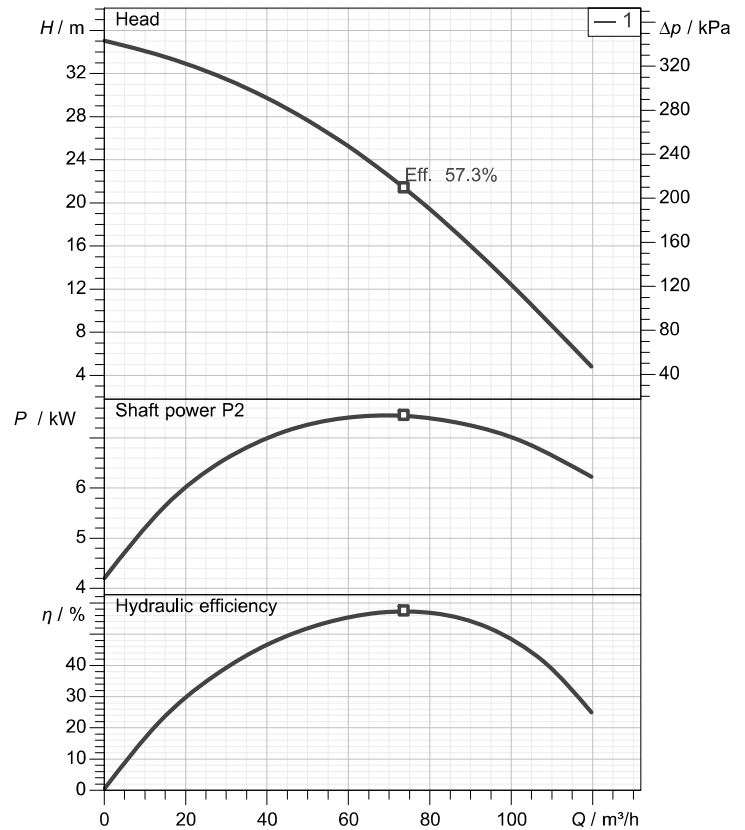


# Data sheet 80SFQ27.5-53



80SFQ27.5-53

CWL: Continuous running water level  
LWL: Lowest running water level



## Specification

Electric submersible pump SFQ-series  
 Degree of protection IP 68  
 Pressure resistance max. 15 m  
 Type of impeller Semi-open  
 Max. solid handling 30 mm  
 Suitable for:  
 corrosive liquids

## Electric motor

Dry-type submersible induction motor  
 Insulation class F 2 Poles 2945 1/min  
 Starting mode Direct starting  
 Rated voltage 400 V 50 Hz 3~  
 Power uptake 8.68 kW  
 Rated power 7.50 kW  
 Rated current 14.3 A  
 Start current 118.0 A

## Cable

10m NSSHÖU 4Cx4mm²

## Motor Protection

Miniature protector in windings  
 (snap-action bi-metal device)

## Shaft seal

Double inside mechanical seal in oil bath  
 additional lubrication by oil lifting device  
 Primary seal  
 Silicon carbide on silicon carbide  
 Secondary seal  
 Silicon carbide on silicon carbide

## Bearings

Shielded ball bearings, maintenance-free

## Materials

Impeller	SCS14 (SUS GX5CrNiMo19-11-2)
Pump casing	SCS14 (SUS GX5CrNiMo19-11-2)
Suction cover	SCS14 (SUS GX5CrNiMo19-11-2)
Motor Frame	SCS14 (SUS GX5CrNiMo19-11-2)
Shaft	SUS316 (EN-X5CrNiMo17-12-2)

## Discharge size

80mm JIS10K flange

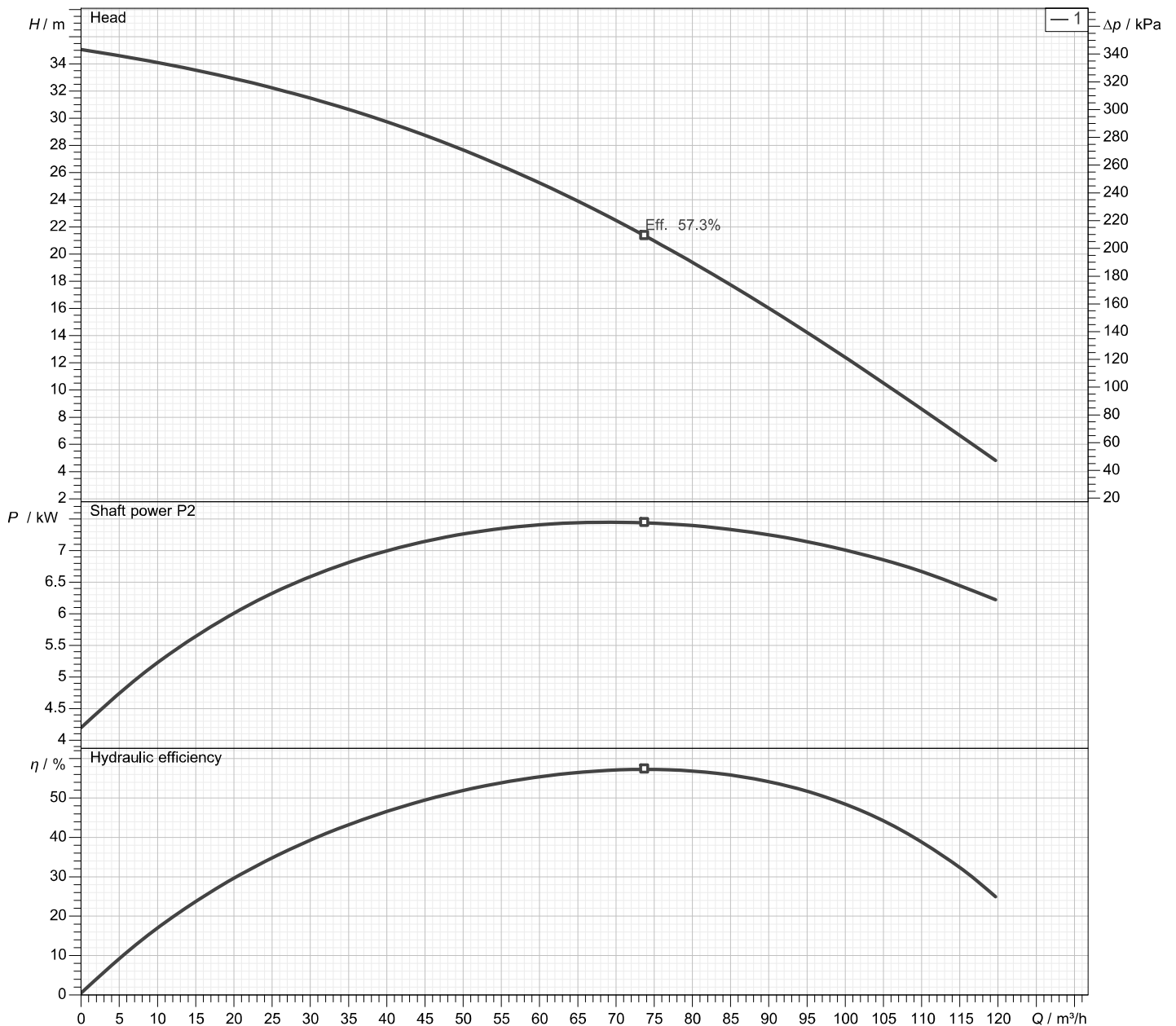
## Weight

123 kg (dry weight of the pump only without cable)

# Performance curve

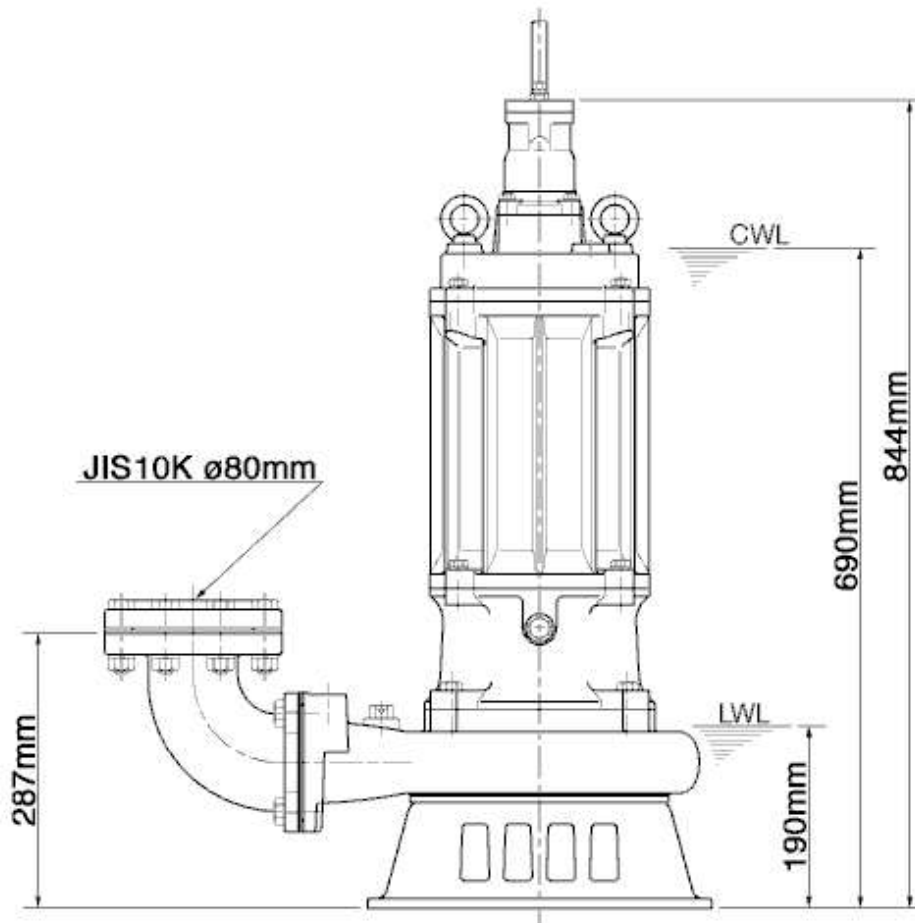
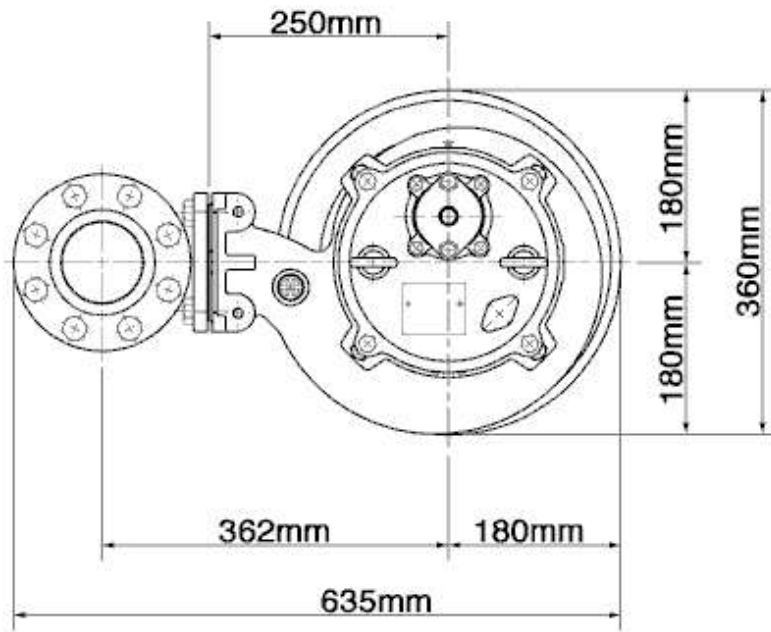
## 80SFQ27.5-53

Discharge port	3"
Head	35.1 m
Flow	119.7 m <sup>3</sup> /h
Rated power	7.50 kW
Power input	8.68 kW
Phases	3~
Voltages	400 V
Frequency	50 Hz
Rated current	14.3 A
Starting current	117.98 A
Number of poles	2
Speed	2945 1/min
Starting mode	Direct starting
Insulation class	F



# Dimensions

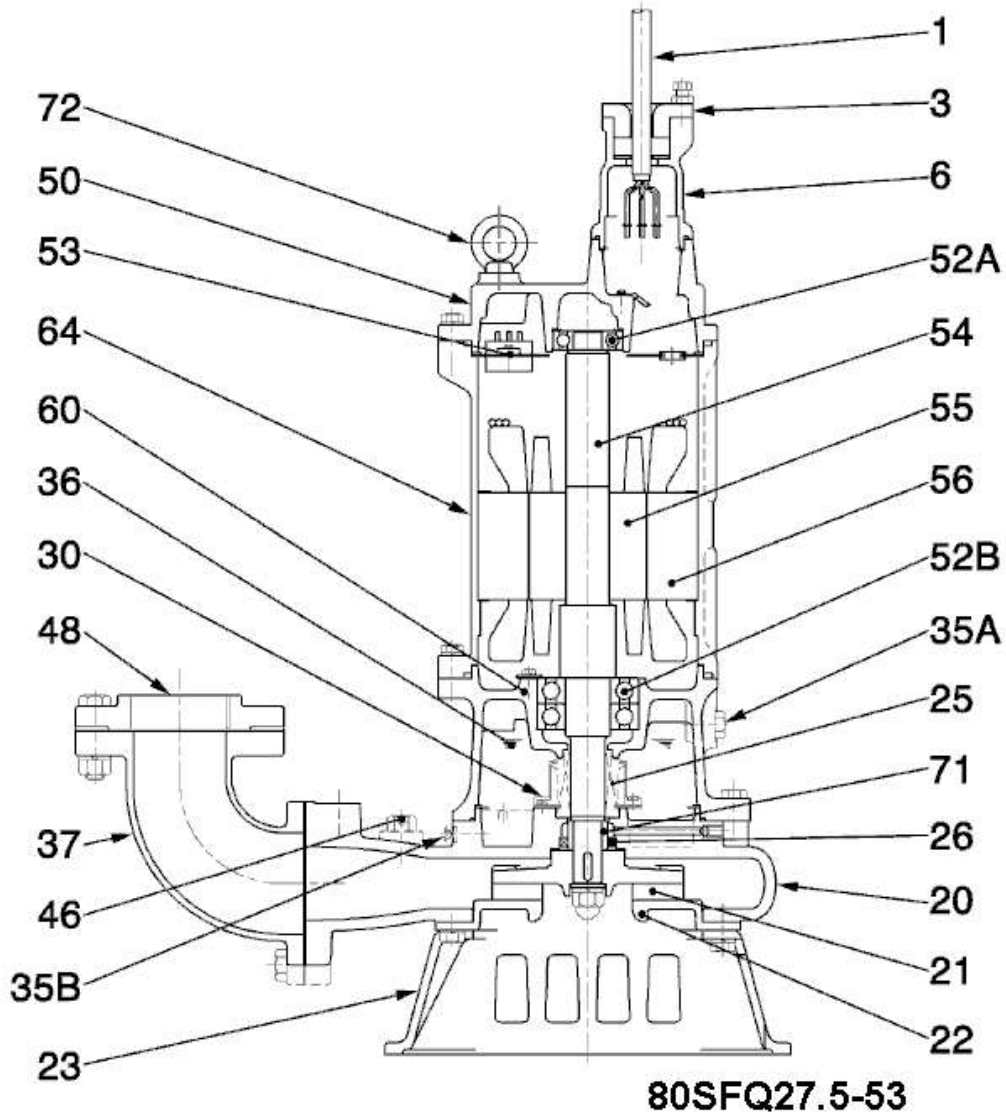
## 80SFQ27.5-53



80SFQ27.5-53

CWL: Continuous running water level  
LWL: Lowest running water level

# Sectional drawing 80SFQ27.5-53



No.	Description	Remark	No.	Description	Remark
1	Cable	NSSHÖU-J	52B	Lower bearing	6308ZZD2C3
3	Gland	SCS14 (SUS GX5CrNiMo19-11-2)	53	Motor Protector 380/400/415V-50Hz.KA314-HRXL00 (H.C)	
6	Stuffing box	SCS14 (SUS GX5CrNiMo19-11-2)	54	Shaft	SUS316 (EN-X5CrNiMo17-12-2)
20	Pump casing	SCS14 (SUS GX5CrNiMo19-11-2)	55	Rotor	.
21	Impeller	SCS14 (SUS GX5CrNiMo19-11-2)	56	Stator	.
22	Suction cover	SCS14 (SUS GX5CrNiMo19-11-2)	60	Bearing Housing	SCS14 (SUS GX5CrNiMo19-11-2)
23	Strainer	SCS14 (SUS GX5CrNiMo19-11-2)	64	Motor Frame	SCS14 (SUS GX5CrNiMo19-11-2)
25	Mechanical seal	X-30W	71	Shaft protection sleeve	SUS316 (EN-X5CrNiMo17-12-2)
26	Oil seal	TC35508	72	Eye screw (2x)	SUS316 (EN-X5CrNiMo17-12-2)
30	Oil distributor	Plastic			
35A	Oil screw	SUS316 (EN-X5CrNiMo17-12-2)			
35B	Oil screw	SUS316 (EN-X5CrNiMo17-12-2)			
36	Lubricant	Turbine oil (ISO VG32)			
46	Air vent valve	SUS316 (EN-X5CrNiMo17-12-2)			
50	Motor cover	SCS14 (SUS GX5CrNiMo19-11-2)			
52A	Upper bearing	6305ZZC3			