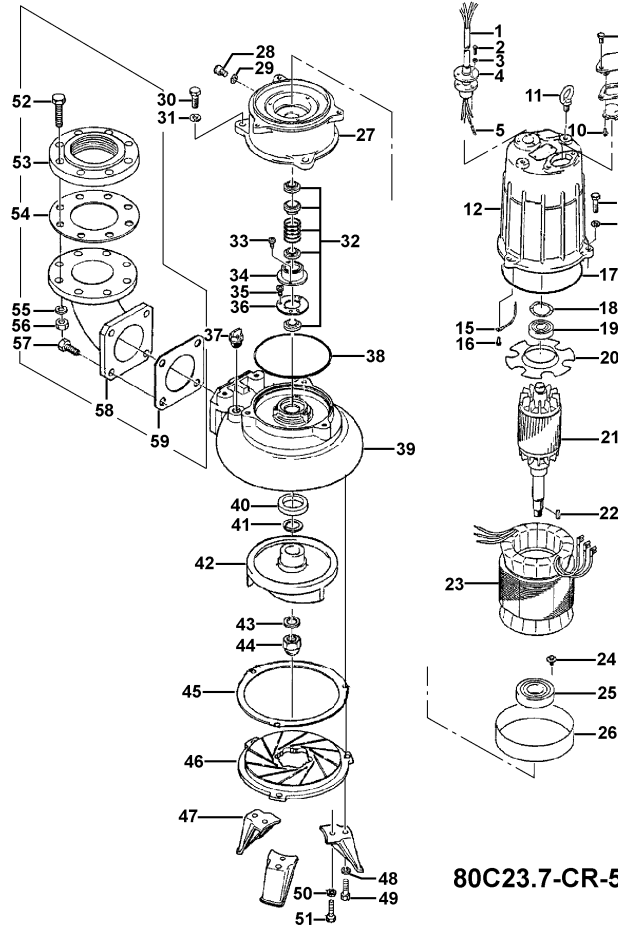


80C23.7-CR-51

2024-02-27

Pos.no	Item no.	Description	Qty.	UP / EUR
--------	----------	-------------	------	----------

80C23.7-CR-51



1.1.1	173-000-79	Packing & O-Ring Set	1	
1	001-004-92	Cabletyre Cable Set (10m)380/400/415V-50Hz(EUR) H07RN4Cx1.5mm2(CEE,Gray) BE(HAR)	1	
2	140-021-17	Hex.Bolt M5x20 SUS304 (EN X5CrNi18-10)	3	
3	142-422-18	Seal Washer PM-5 SUS+NBR	3	
4	003-111-20	Gland SUS304 (EN X5CrNi18-10)	1	
5	009-105-16	Solderless Terminal 2mm2 CU	4	
6	140-052-17	Hex.Bolt M8x16 SUS304	2	
7	127-000-16	Protector Fixing Plate SUS304 (EN X5Cr18-10)	1	
8	121-000-23	Packing (Protector Fixing Plate) NBR	1	
9	053-394-11	Motor Protector 380/400/415V-50Hz(EUR) KA313-GBXL102 (T.C)	1	
10	143-126-38	Pan Screw (w/Spring Washer/Plain Washer) M4x12 SWRM	2	
11	072-100-20	Eye Bolt M10 SUS304	2	
12	064-002-17	Motor Frame FC	1	
13	140-057-12	Hex.Bolt M8x30 SUS304 (EN X5CrNi18-10) Stainless Steel	3	
14	142-163-21	Spring Washer M8 SUS316 (DIN 1.4401) Stainless Steel	3	
15	009-293-12	Earth Terminal 2mm2x180l	1	
16	143-085-21	Pan Screw (w/Spring Washer) M4x6 SWRM	1	
17	122-333-19	O-Ring 170xd3.1 NBR	1	
18	142-196-10	Wave Washer 6205/6304 SK5	1	
19	052-188-17	Bearing (w/O-ring) AC-6304ZZC3	1	
20	058-000-04	Lead Wire Protection Plate d66xd150x1.5t Bakelite	1	
21	055-001-56	Rotor	1	
22	147-079-11	Impeller Key 7x7x18l Stainless Steel	1	
23	056-012-91	Stator 380/400/415V-50Hz	1	
24	140-000-06	Hex.Bolt (w/Spring Washer/Plain Washer) M6x12 SWCH	3	
25	052-110-18	Bearing 6307ZZC3	1	
26	071-000-90	Collar 41L SECC	1	
27	060-000-97	Bearing HousingTS1-2-3.7-S FC FC	1	
28	035-113-18	Oil Plug M12x14 SUS304 (EN X5CrNi18-10) Stainless Steel	1	Price on req.
29	121-247-12	Packing d12.3xd18x2l PE	1	
30	140-098-15	Hex.Bolt M12x35 SUS304	3	
31	142-165-10	Spring Washer M12 SUS304 (EN X5CrNi18-10) Stainless Steel	3	Price on req.
32	025-001-02	Mechanical Seal H-30(T) SIC	1	
33	143-070-23	Pan Screw M5x6 SWRM	2	
34	030-142-11	Oil Lifter H-30(A)(T) Resin	1	
35	143-070-23	Pan Screw M5x6 SWRM	3	
36	030-151-13	Seal Stopper H-30(A)(T) SPCC	1	
37	046-107-13	Air Release Valve PT-1/2 Nylon	1	
38	122-246-14	O-Ring (Brg.Housing/O.Casing) 180xd3.1 NBR	1	
39	020-002-06	Pump Casing 80C22.2/23.7-CR-61 FC	1	

80C23.7-CR-51

Kontroll-Nr. --

2024-02-27 V.01.02.2023

Pos.no	Item no.	Description	Qty.	UP / EUR
40	026-155-14	Oil Seal TC-45629 NBR	1	
41	040-107-28	Impeller Shim d25.2xd38x0.3t SUS304	1	
42	021-007-49	Impeller (50Hz) 80C23.7-CR-51 HICRFC	1	
43	142-166-11	Spring Washer M16 SUS304	1	
44	141-033-15	Hex.Cap Nut M16 SUS304 (EN X5Cr18-10)	1	
45	120-127-12	Packing d171xd186x0.3t PE	1	
46	022-001-45	Suction Cover 80C23.7-CR-61 HICRFC	1	
47	023-469-15	Pump Stand 22/37-BE3 SPHC	3	
48	142-164-19	Spring Washer M10 SUS304	3	
49	140-078-19	Hex.Bolt M10x30 SUS304	3	
50	142-163-21	Spring Washer M8 SUS316 (DIN 1.4401) Stainless Steel	3	
51	140-054-19	Hex.Bolt M8x20 SUS304 (EN X5Cr18-10)	3	
52	140-130-36	Hex.Bolt M16x70 SWRM	8	
53	048-000-39	Screwed Flange JIS10Kx80mm(PT) Grey Iron Casting	1	
54	121-105-33	Packing JIS10Kx80mm NR	1	
55	142-166-37	Spring Washer M16 SWRH	8	
56	141-008-11	Hex.Nut M16 SUS304 (EN X5CrNi18-10)	8	
57	140-124-11	Hex.Bolt M16x40 SUS304 (EN X5Cr18-10)	4	
58	037-169-15	Discharge Bend 80x80mm Grey Iron Casting	1	
59	121-152-19	Packing 145mm2(P.C.145) NBR	1	
	173-000-79	Packing & O-Ring Set	1	
	##oilVG32	ml Turbine Oil ISO VG32	1890	Price on req.