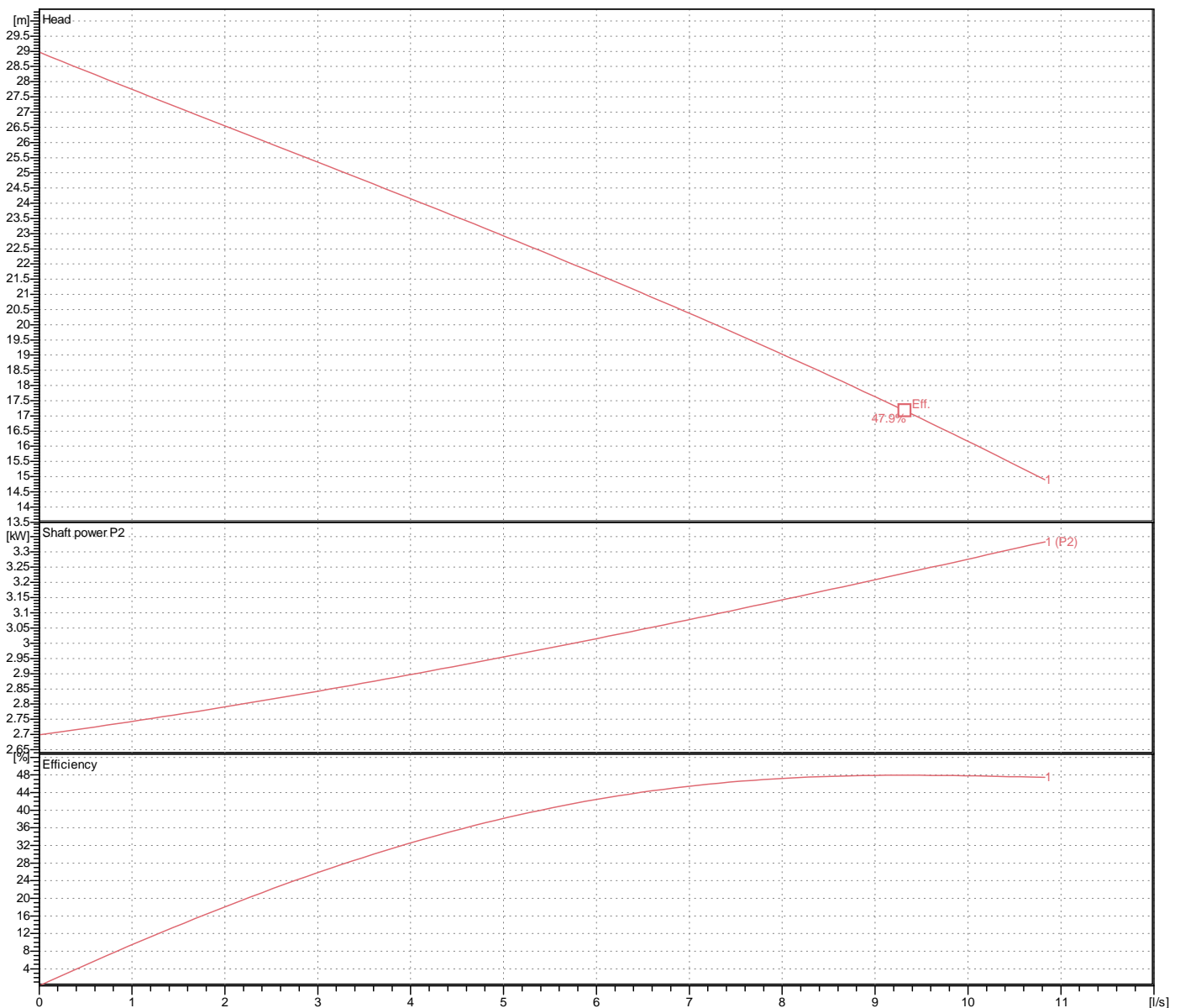


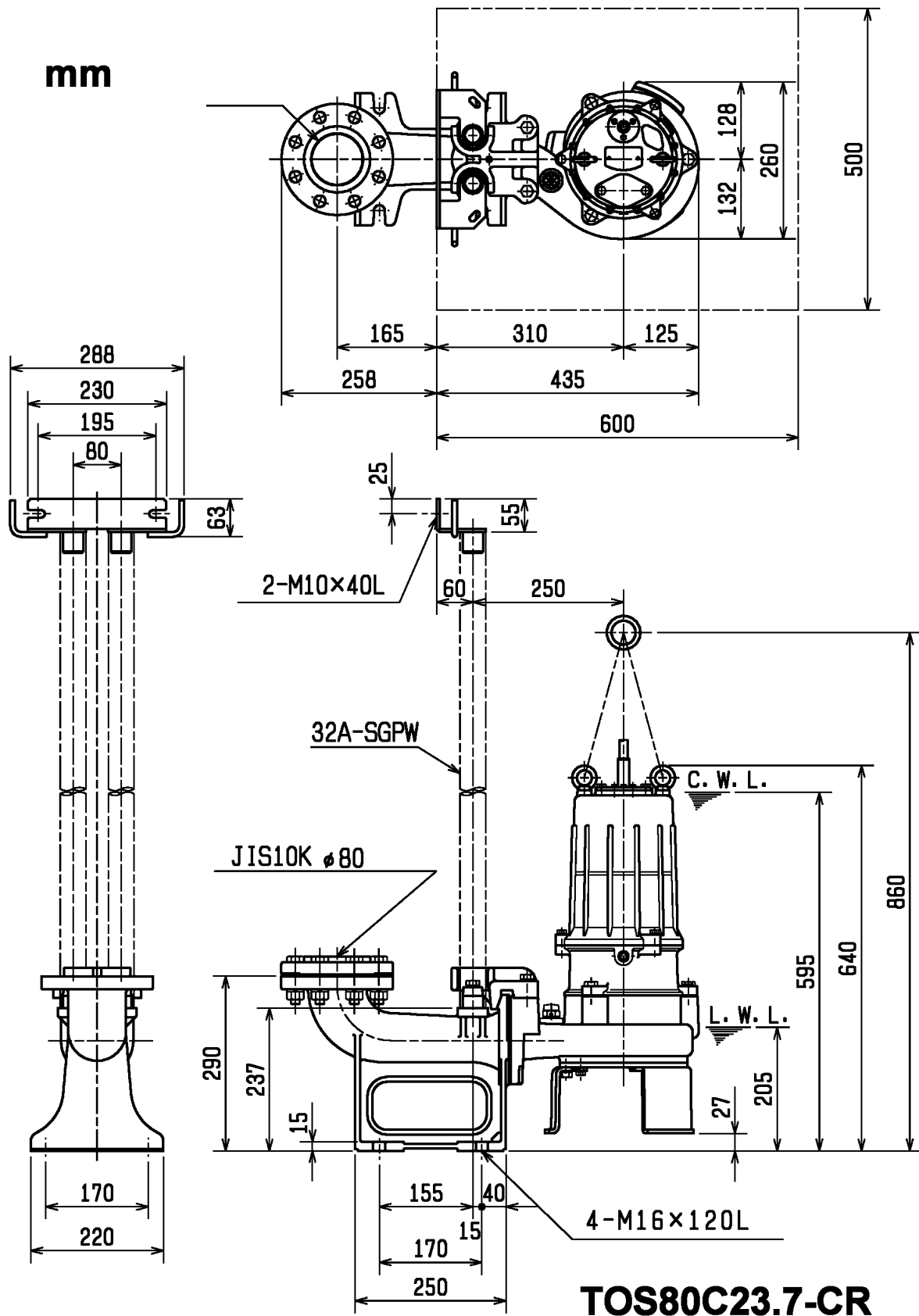


# Performance curve 80C23.7-CR-51

Discharge port	3"
Head	29.0 m
Flow	10.8 l/s
Rated power	3.70 kW
Power input	4.86 kW
Phases	3~
Voltages	400 V
Frequency	50 Hz
Rated current	7.7 A
Starting current	57.98 A
Number of poles	2
Speed	2850 1/min
Starting mode	Directly
Insulation class	F



# Dimensions TOS80C23.7-CR-51



CWL: Continuous running water level  
LWL: Lowest running water level

