

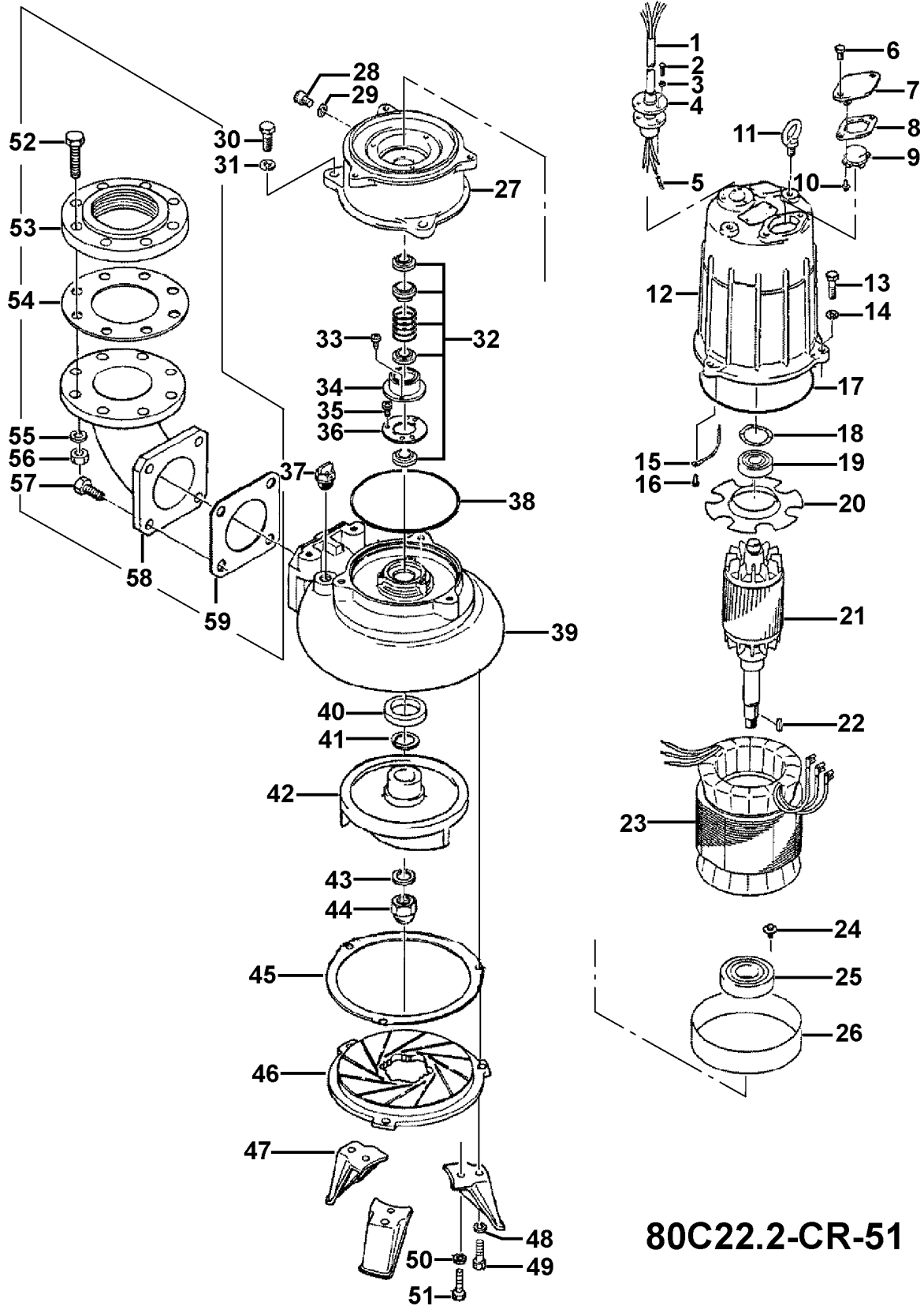
80C22.2-CR-51

Kontroll-Nr. --

2018-10-17 V.18 / 1.10.2015

80C22.2-CR-51			
Item	Item no.	Description	Quant.
1	001-004-92	Cable Set (10m)380/400/415V-50Hz(EUR) H07RN4Cx1.5mm2(CEE,Gray) BE(HAR)	1
2	140-021-17	Hex.Bolt M5x20 SUS304 (EN X5CrNi18-10)	3
3	142-422-18	Seal Washer PM5 SUS+NBR	3
4	003-111-20	Gland SUS304 (EN X5CrNi18-10)	1
5	009-105-16	Solderless Terminal 2mm2 CU	4
6	140-052-17	Hex.Bolt M8x16 SUS304 (EN X5Cr18-10)	2
7	127-000-16	Protector Fixing Plate SUS304 (EN X5Cr18-10)	1
8	121-000-23	Packing (Protector Fixing Plate) NBR	1
9	053-394-11	Motor Protector 380/400/415V-50Hz(EUR) KA313-GBXL102 (T.C)	1
10	143-126-38	Pan Screw (w/Spring Washer/Plain Washer) M4x12 SWRM	2
11	072-100-20	Eye Bolt M10 SUS304 (EN X5Cr18-10)	2
12	064-000-20	Motor Frame FC	1
13	140-057-12	Hex.Bolt M8x35 SUS304 (EN X5Cr18-10)	3
14	142-163-21	Spring Washer M8 SUS316 (DIN 1.4401) Stainless Steel	3
15	009-293-12	Earth Terminal 2mm2x180l	1
16	143-085-21	Pan Screw (w/Spring Washer) M4x6 SWRM	1
17	122-333-19	O-Ring (MFrame/Brg.Housing) 170xd3.1 NBR	1
18	142-196-10	Wave Washer 6205/6304 SK5	1
19	052-188-17	Bearing (w/O-ring) AC-6304ZZC3	1
20	058-000-04	Lead Wire Protection Plate d66xd150x1.5t Bakelite	1
21	055-001-56	Rotor	1
22	147-079-11	Impeller Key 7x7x18l Stainless Steel	1
23	056-001-29	Stator 380/400/415V-50Hz	1
24	140-000-06	Hex.Bolt (w/Spring Washer/Plain Washer) M6x12 SWCH	3
25	052-110-18	Bearing 6307ZZC3	1
26	071-336-11	Collar 41L SECC	1
27	060-000-97	Bearing HousingTS1-2-3-7-S FC FC	1
28	035-113-18	Oil Plug M12x14 SUS304 (EN X5Cr18-10)	1
29	121-247-12	Packing (Oil Plug) d12.3xd18x2t PE	1
30	140-098-15	Hex.Bolt M12x35 SUS304 (EN X5Cr18-10)	3
31	142-165-10	Spring Washer M12 SUS304 (EN X5Cr18-10)	3
32	025-246-10	Mechanical Seal H-30A SiC+CCBN	1
33	143-070-23	Pan Screw M5x6 SWRM	2
34	030-142-11	Oil Lifter H-30(A)(T) Resin	1
35	143-070-10	Pan Screw M5x6 SWRM	3
36	030-151-13	Seal Stopper H-30(A)(T) SPCC	1
37	046-107-13	Air Release Valve PT-1/2 Nylon	1
38	122-246-14	O-Ring (Brg.Housing/O.Casing) 180xd3.1 NBR	1
39	020-002-06	Pump Casing 80C22.2/23.7-CR-61 FC	1
40	026-155-14	Oil Seal TC-45629 NBR	1
41	040-107-28	Impeller Shim d25.2xd38x0.3t SUS304 (EN X5CrNi18-10)	1
42	021-008-73	Impeller (50Hz) 80C211-CR-51 HICRFC	1
43	142-166-11	Spring Washer M16 SUS304 (EN X5Cr18-10)	1
44	141-033-15	Hex.Cap Nut M16 SUS304 (EN X5Cr18-10)	1
45	120-127-12	Packing d171xd186x0.3t PE	1
46	022-001-44	Suction Cover 80C22.2-CR-61 HICRFC	1
47	023-469-15	Pump Stand 22/37-BE3 SPHC	3
48	142-164-19	Spring Washer M10 SUS304 (EN X5CrNi18-10)	3
49	140-076-17	Hex.Bolt M10x30 SUS304 (EN X5Cr18-10)	3
50	142-163-21	Spring Washer M8 SUS316 (DIN 1.4401) Stainless Steel	3
51	140-054-19	Hex.Bolt M8x20 SUS304 (EN X5Cr18-10)	3
52	140-130-36	Hex.Bolt M16x70 SWRM	8
53	048-000-39	Screwed Flange JIS10Kx80mm(PT) Grey Iron Casting	1
54	121-105-33	Packing JIS10Kx80mm NR	1
55	142-166-37	Spring Washer M16 SWRH	8
56	141-008-11	Hex.Nut M16 SUS304 (EN X5CrNi18-10)	8
57	140-124-11	Hex.Bolt M16x40 SUS304 (EN X5Cr18-10)	4
58	037-169-15	Discharge Bend 80x80mm Grey Iron Casting	1
59	121-152-19	Packing 145mm2(P.C.145) NBR	1
	173-000-79	Packing & O-Ring Set	1
	##oilVG32	ml Turbine Oil ISO VG32	1890

Exploded View 80C22.2-CR-51



80C22.2-CR-51