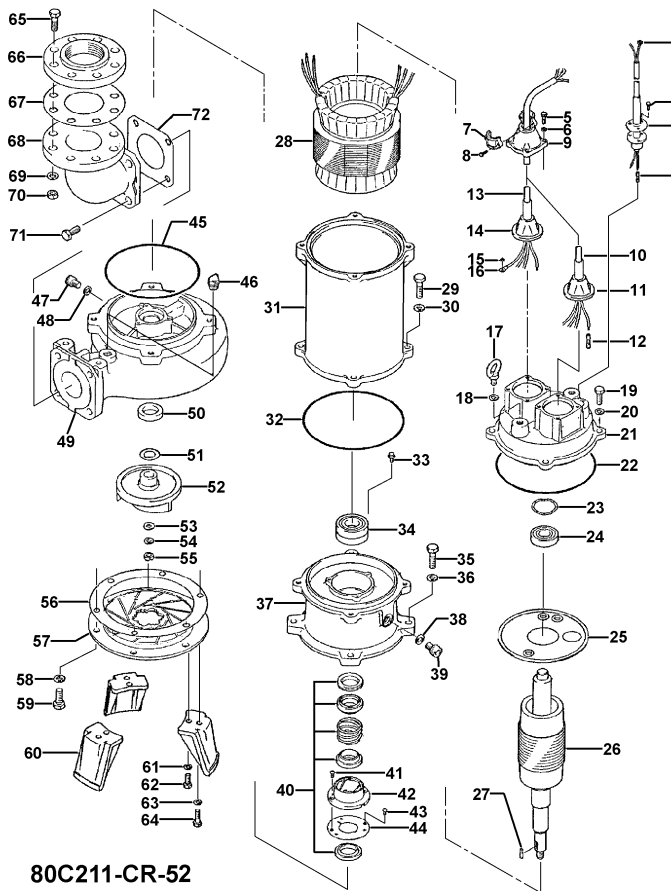


**80C211-CR-52**

2024-02-27

Pos.no	Item no.	Description	Qty.	UP / EUR
--------	----------	-------------	------	----------

80C211-CR-52



1.1.1		173-002-40	1	
1	001-448-36	Cabletyre Cable Set 2PNCT2Cx1,25mm <sup>2</sup> (LB)	1	
2	140-427-17	Hex.Bolt (w/Plain Washer) M5x15 SUS304 (EN X5CrNi18-10)	2	
3	003-190-10	Gland SUS316 (EN X5Cr-Ni-Mo17-12-2)	1	
4	009-274-17	Compression type Terminal TMNB-2.2(Insulated) CU	2	
5	140-056-11	Hex.Bolt M8x30 SUS304 (EN X5CrNi18-10) Stainless	8	
6	142-163-18	Spring Washer M8 SUS304	8	
7	070-107-18	Cable Clamp FC	2	
8	140-035-14	Hex.Bolt M6x20 SUS304 (EN X5CrNi18-10) Stainless	4	
9	006-126-14	Stuffing Box No.2 FC	2	
10	001-TEG-09	Cabletyre Cable Set (20m) H07RN-F4Cx2,5mm <sup>2</sup> without stuffing box	1	
10	M01-TEG-09	Cabletyre Cable Set (20m) NSSHÖU 4Cx2,5mm <sup>2</sup>	1	
11	008-136-13	Mould Cover KR2-1 CR	1	
12	009-275-18	Compression type Terminal TGNB-5.5(Insulated) CU	6	
13	001-TEG-09	Cabletyre Cable Set (20m) H07RN-F4Cx2,5mm <sup>2</sup> without stuffing box	1	
13	M01-TEG-09	Cabletyre Cable Set (20m) NSSHÖU 4Cx2,5mm <sup>2</sup>	1	
14	008-136-13	Mould Cover KR2-1 CR	1	
15	143-085-21	Pan Screw (w/Spring Washer) M4x6 SWRM	1	
16	009-275-18	Compression type Terminal TGNB-5.5(Insulated) CU	1	
16	009-294-13	Earth Terminal 3.5mmx170L	1	
17	072-107-14	Eye Bolt M16 SS	2	
18	142-399-15	Washer d17xd29x0.1t SUS304 (EN X5CrNi18-10) Stainless Steel	1	
18	142-400-10	Washer d17xd29x0.3t SUS304 (EN X5CrNi18-10) Stainless Steel	1	
19	140-098-15	Hex.Bolt M12x35 SUS304	4	
20	142-165-10	Spring Washer M12 SUS304 (EN X5CrNi18-10) Stainless Steel	4	Price on req.
21	050-000-92	Motor Bracket FC	1	
22	122-173-19	O-Ring V-225 NBR	1	
23	142-198-12	Wave Washer 6306 SK5	1	Price on req.
24	052-109-14	Bearing 6306ZC3	1	
25	058-000-09	Lead Wire Protection Plate d80xd224x1.6t (SPHC)	1	
26	055-001-53	Rotor	1	
27	147-066-15	Impeller Key 10x8x22L SUS420 (EN X30Cr13)	1	
28	056-000-31	Stator 380/400/415V-50Hz(EUR)	1	
29	140-100-11	Hex.Bolt M12x45 SUS304 (EN X5CrNi18-10) Stainless Steel	4	Price on req.
30	142-165-10	Spring Washer M12 SUS304 (EN X5CrNi18-10) Stainless Steel	4	Price on req.
31	064-000-12	Motor Frame FC	1	
32	122-173-19	O-Ring V-225 NBR	1	
33	140-000-06	Hex.Bolt (w/Spring Washer/Plain Washer) M6x12 SWCH	3	
34	052-140-17	Bearing 6309ZD2C3	1	
35	140-100-11	Hex.Bolt M12x45 SUS304 (EN X5CrNi18-10) Stainless Steel	4	Price on req.

**80C211-CR-52**

Kontroll-Nr. --

2024-02-27 V.01.02.2023

Pos.no	Item no.	Description	Qty.	UP / EUR
36	142-165-10	Spring Washer M12 SUS304 (EN X5CrNi18-10) Stainless Steel	4	Price on req.
37	060-001-07	Bearing HousingHT1-2-11-S FC FC	1	
38	121-247-12	Packing d12.3xd18x2t PE	2	
39	035-113-18	Oil Plug M12x14 SUS304 (EN X5CrNi18-10) Stainless Steel	2	Price on req.
40	025-000-97	Mechanical Seal H-35 (ROHS)(T) SIC	1	
41	143-070-23	Pan Screw M5x6 SWRM	2	
42	030-156-18	Oil Lifter H-35(A)(T) Resin	1	
43	143-070-23	Pan Screw M5x6 SWRM	3	
44	030-150-12	Seal Stopper H-35(A)(T) SPCC	1	
45	122-281-11	O-Ring 190xd3.1 NBR	1	
46	046-107-13	Air Release Valve PT-1/2 Nylon	1	
47	035-112-17	Oil Plug M8x12 SUS304 (EN X5CrNi18-10) Stainless Steel	1	
48	121-248-13	Packing d8.2xd13.5x2t PE	1	
49	020-002-07	Pump Casing 80C25.5/2.75/211-CR-61 FC	1	
50	026-114-11	Oil Seal TC-557812 NBR	1	
51	040-113-14	Impeller Shim d32.5xd48x0.3t SUS304 (EN X5CrNi18-10)	1	
52	021-008-57	Impeller (50Hz) 80C211-CR-52 HICRFC	1	
53	142-131-17	Plain Washer M20 SUS304 (EN X5CrNi18-10) Stainless Steel	1	
54	142-168-13	Spring Washer M20 SUS304	1	
55	141-009-12	Hex.Nut M20 SUS304 (EN X5CrNi18-10) Stainless Steel	1	
56	120-121-16	Packing d204xd264x0.3t PE	1	
57	022-001-66	Suction Cover 80C211-CR-61 HICRFC	1	
58	142-165-10	Spring Washer M12 SUS304 (EN X5CrNi18-10) Stainless Steel	3	Price on req.
59	140-096-13	Hex.Bolt M12x25 SUS304	3	
60	023-288-18	Pump Stand 55/110-CE2 FC	3	
61	142-165-10	Spring Washer M12 SUS304 (EN X5CrNi18-10) Stainless Steel	3	Price on req.
62	140-096-13	Hex.Bolt M12x25 SUS304	3	
63	142-165-10	Spring Washer M12 SUS304 (EN X5CrNi18-10) Stainless Steel	3	Price on req.
64	140-099-16	Hex.Bolt M12x40 SUS304	3	
65	140-130-36	Hex.Bolt M16x70 SWRM	8	
66	048-000-39	Screwed Flange JIS10Kx80mm(PT) Grey Iron Casting	1	
67	121-105-33	Packing JIS10Kx80mm NR	1	
68	037-169-15	Discharge Bend 80x80mm Grey Iron Casting	1	
69	142-166-37	Spring Washer M16 SWRH	8	
70	141-008-11	Hex.Nut M16 SUS304 (EN X5CrNi18-10)	8	
71	140-124-11	Hex.Bolt M16x40 SUS304 (EN X5Cr18-10)	4	
72	121-152-19	Packing 145mm2(P.C.145) NBR	1	
	##oilVG32	ml Turbine Oil ISO VG32	2240	Price on req.