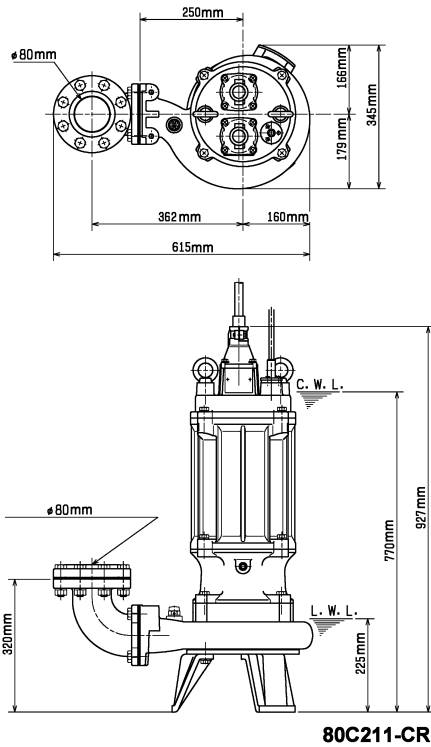
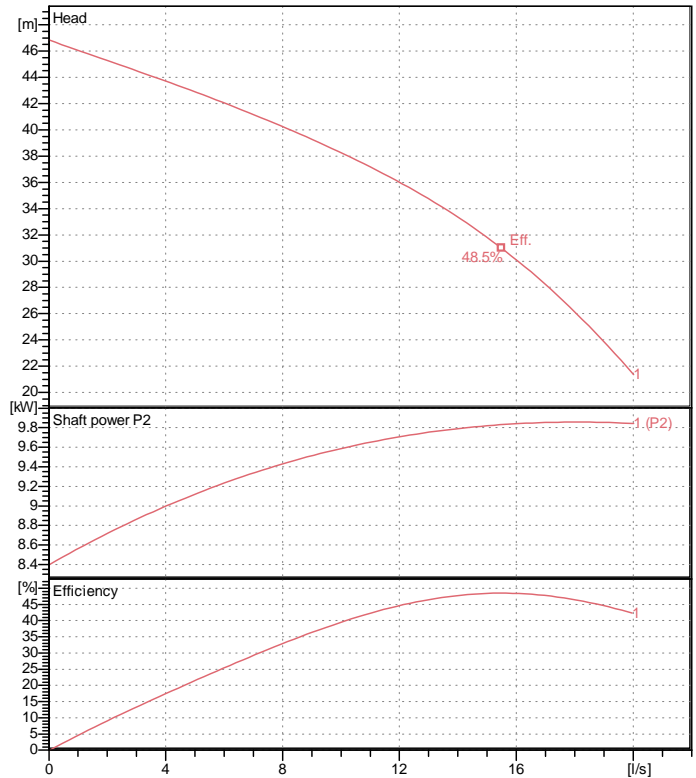


Data sheet 80C211-CR-51



80C211-CR

CWL: Continuous running water level
LWL: Lowest running water level



Specification

Electric submersible pump
Degree of protection IP 68
Depth of submersion max. 15 m
Type of impeller Dual channel impeller
Free passage 25.5 mm
Suitable for:
sewage water and liquids carrying solids

Electric motor

Dry-type submersible induction motor
Insulation class F 2Poles 2935 1/min
Starting mode Star-delta
Rated voltage 400 V 50 Hz 3~
Power uptake 14.40 kW
Rated power 11.00 kW
Rated current 23.7 A
Start current 158.1 A

Cable

10m H07RN-F 4Cx2,5mm²/H07RN-F 3Cx2,5mm²/2PNCT 2Cx1,25mm²

Motor Protection

Circle thermal protector
(snap-action bi-metal device)

Shaft seal

Double inside mechanical seal in oil bath
additional lubrication by oil lifting device

Primary seal

Silicon carbide on silicon carbide

Secondary seal

Silicon carbide on silicon carbide

Bearings

Shielded ball bearings, maintenance-free

Materials

Impeller

Chromium Iron HiCrFC + Tungsten Carbide

Pump casing

FC200 (EN-GJL-200)

Suction cover

Chromium Iron HiCrFC

Motor Frame

FC200 (EN-GJL-200)

Shaft

SUS420J2 (EN-X30Cr13)

Discharge size

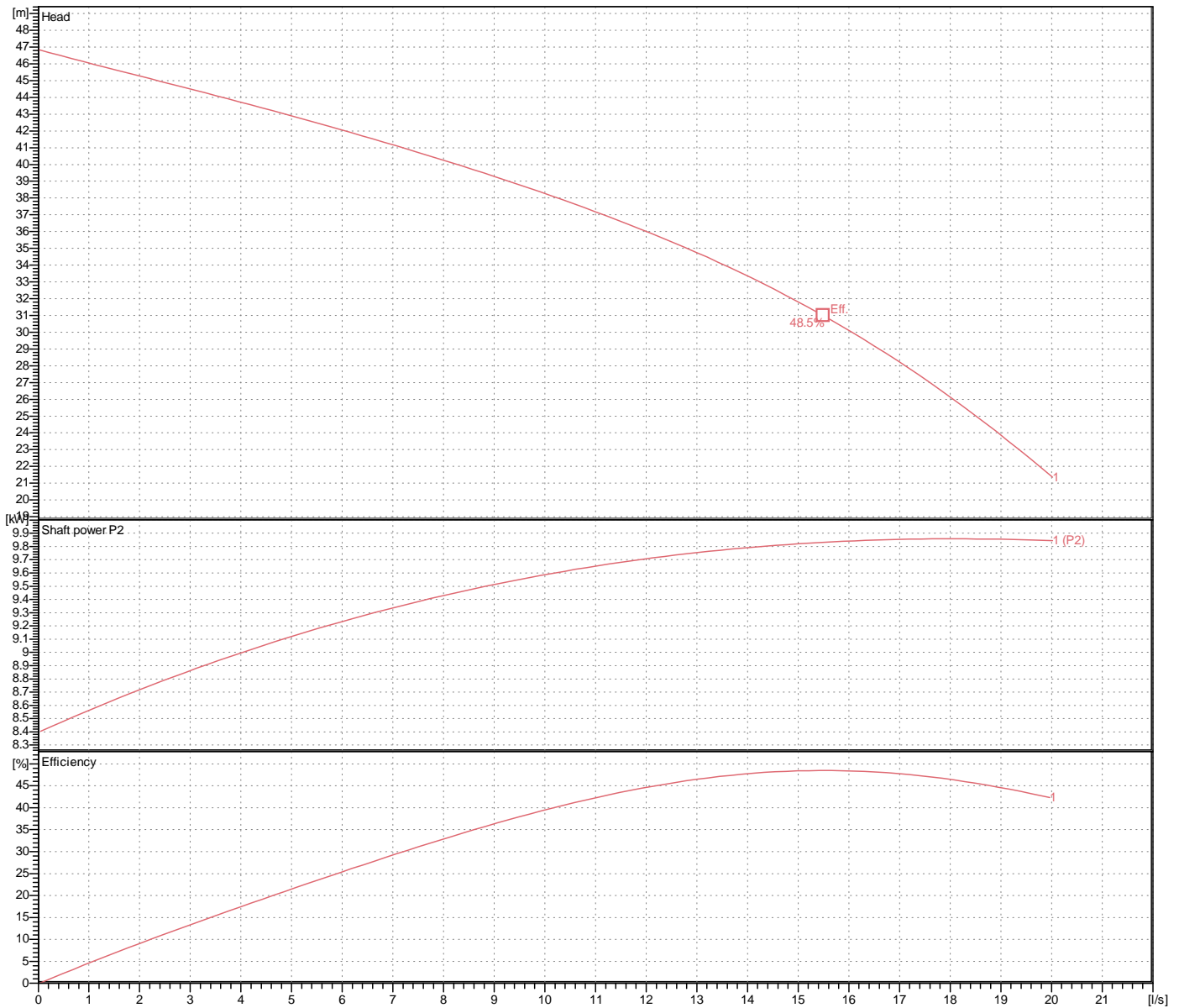
3" (80mm) special screwed-in mating flange
guide rail fitting optional

Weight

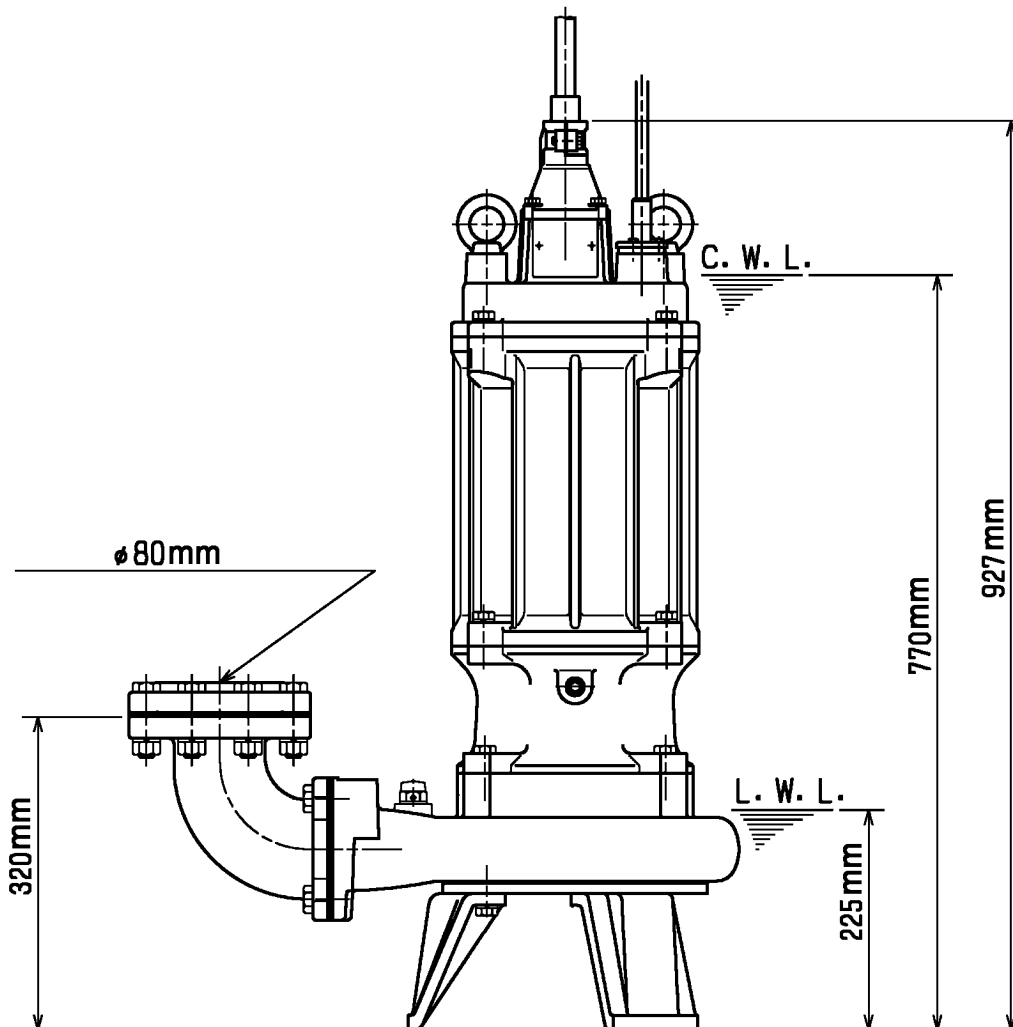
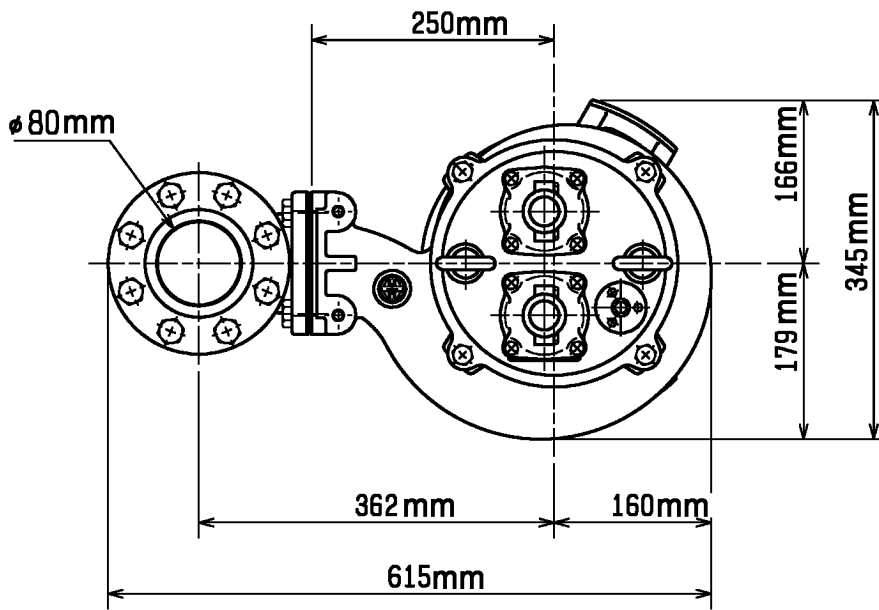
156.5 kg (dry weight of the pump only without cable)

Performance curve 80C211-CR-51

Discharge port	3"
Head	46.9 m
Flow	20.0 l/s
Rated power	11.00 kW
Power input	14.40 kW
Phases	3~
Voltages	400 V
Frequency	50 Hz
Rated current	23.7 A
Starting current	158.08 A
Number of poles	2
Speed	2935 1/min
Starting mode	Star-delta
Insulation class	F



Dimensions 80C211-CR-51



80C211-CR

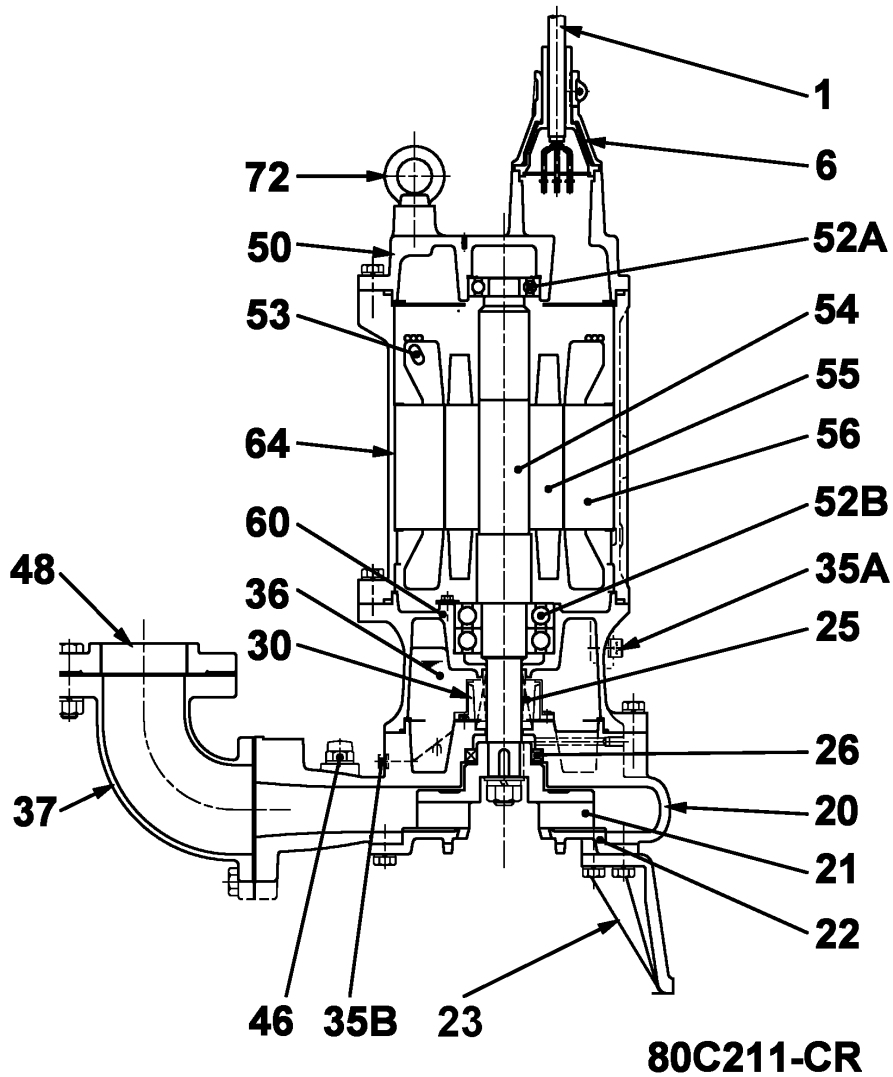
CWL: Continuous running water level
LWL: Lowest running water level

 **TSURUMI PUMP**

Tsurumi Europe GmbH
17.10.2018 V.18 / 1.10.2015

Heltorf Str. 14 * 40472 Düsseldorf * Germany
Tel.: +49-211-4179373 sales@tsurumi.eu
Fax: +49-211-417937-480 www.tsurumi.eu

Sectional drawing 80C211-CR-51



No.	Description	Remark	No.	Description	Remark
1	Cable (3x)	H07RN-F / 2PNCT-F	52A	Upper bearing	6306ZZC3
6	Stuffing box (2x)	FC200 (EN-GJL-200)	52B	Lower bearing	6309ZZD2C3
20	Pump casing	FC200 (EN-GJL-200)	53	Motor Protector 380/400/415V-50Hz KA314-HRXL00 (H.C)	
21	Impeller	Chromium Iron HiCrFC + Tungsten Carbide	54	Shaft	SUS420J2 (EN-X30Cr13)
22	Suction cover	Chromium Iron HiCrFC	55	Rotor	.
23	Stand support (3x)	FC200 (EN-GJL-200)	56	Stator	.
25	Mechanical seal	H-35	60	Bearing Housing	FC200 (EN-GJL-200)
26	Oil seal	TC557812	64	Motor Frame	FC200 (EN-GJL-200)
29	Oil casing	FC200 (EN-GJL-200)	72	Eye screw (2x)	Construction steel SS400
35A	Oil screw	SUS304 (EN-X5CrNi18-10)			
35B	Oelschraube.	SUS304 (EN-X5CrNi18-10)			
36	Lubricant	Turbine oil (ISO VG32)			
37	Discharge bend	FC200 (EN-GJL-200)			
46	Air vent screw	Nylon			
48	Screwed Flange	FC200 (EN-GJL-200)			
50	Motor cover	FC200 (EN-GJL-200)			