

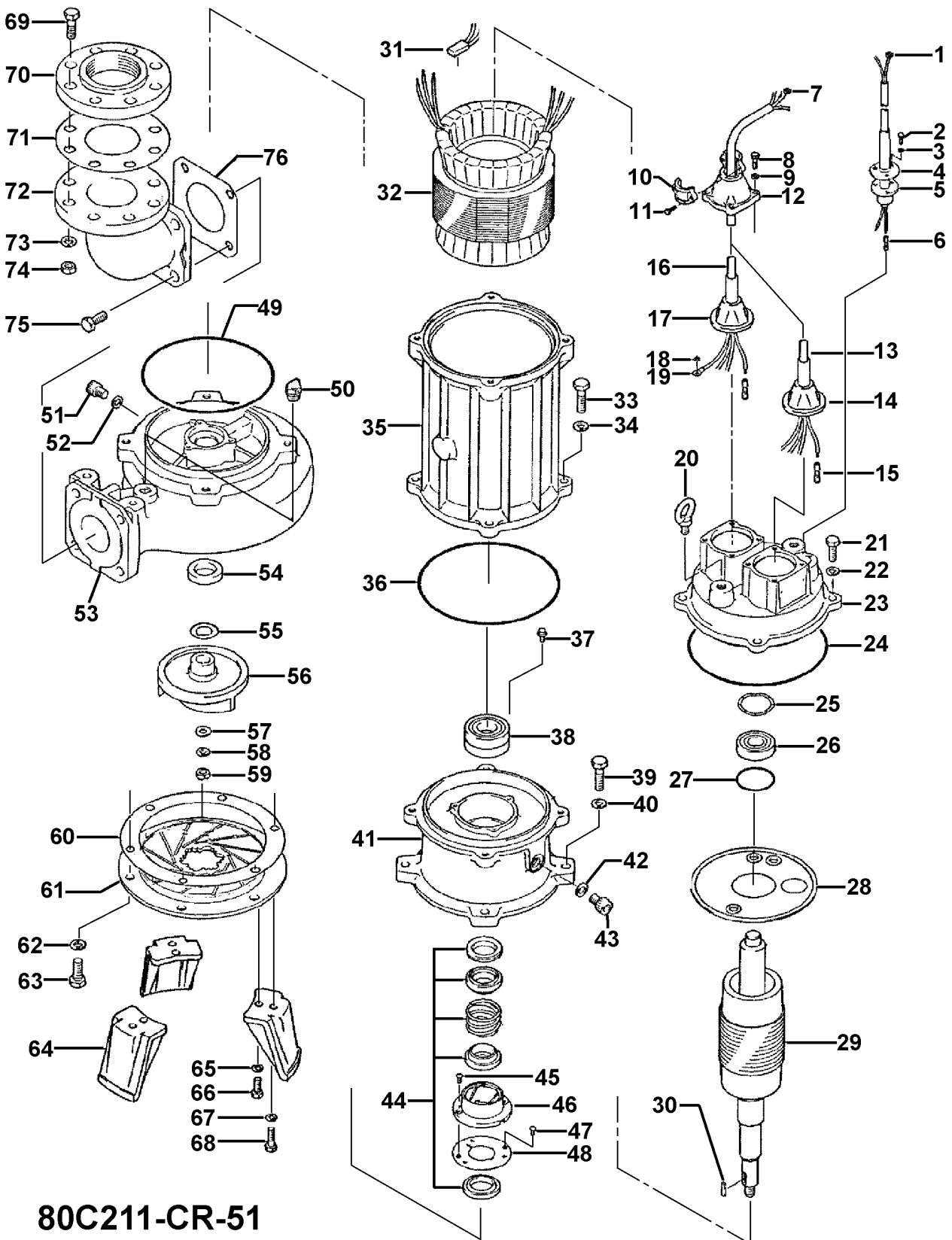
80C211-CR-51

Kontroll-Nr. --

2018-10-17 V.18 / 1.10.2015

80C211-CR-51			
Item	Item no.	Description	Quant.
1	009-127-14	Terminal R-1.25-4 CU	2
2	140-018-11	Hex.Bolt M5x15 SUS304 (EN X5CrNi18-10) Stainless Steel	3
3	142-422-18	Seal Washer PM5 SUS+NBR	3
4	003-111-20	Gland SUS304 (EN X5CrNi18-10)	1
5	T01-TEG-99	Cabtyre Cable Set (10m) H07RN-F 3Cx1,5mm2	1
6	009-274-17	Compression type Terminal TMNB-2.2(Insulated) CU	2
7	009-131-11	Terminal R-5.5-6 CU	7
8	140-055-10	Hex.Bolt M8x25 SUS304 (EN X5CrNi18-10)	5
9	142-163-21	Spring Washer M8 SUS316 (DIN 1.4401) Stainless Steel	5
10	070-107-18	Cable Clamp FC	2
11	140-035-27	Hex.Bolt M8x20 SUS304 (EN X5CrNi18-10) Stainless Steel	4
12	006-126-14	Stuffing Box No.2 FC	2
13	001-TEG-09	Cabtyre Cable Set (20m) H07RN-F4Cx2,5mm2 without stuffing box	1
13	M01-TEG-09	Cabtyre Cable Set (20m) NSSHÖU 4Cx2,5mm2	1
14	008-136-13	Mould Cover KR2-1 CR	1
15	009-234-15	Compression type Terminal 220/230/240V-50Hz(EUR) TGVB-3.5 CU	6
16	001-TEG-09	Cabtyre Cable Set (20m) H07RN-F4Cx2,5mm2 without stuffing box	1
16	M01-TEG-09	Cabtyre Cable Set (20m) NSSHÖU 4Cx2,5mm2	1
17	008-136-13	Mould Cover KR2-1 CR	1
18	143-085-21	Pan Screw (w/Spring Washer) M4x6 SWRM	1
19	009-122-19	Terminal R-3.5-4 CU	1
20	072-107-14	Eye Bolt M16 SS	2
21	140-098-15	Hex.Bolt M12x35 SUS304 (EN X5Cr18-10)	4
22	142-165-10	Spring Washer M12 SUS304 (EN X5Cr18-10)	4
23	050-437-18	Motor Bracket FC	1
24	122-173-19	O-Ring V-225 NBR	1
25	142-198-12	Wave Washer #6306 SK-5	1
26	052-109-14	Bearing 6306ZZC3	1
27	122-245-13	O-Ring 71.4xd3.1 NBR	1
28	058-000-09	Lead Wire Protection Plate d80xd224x1.6t (SPHC)	1
29	055-001-53	Rotor	1
30	147-066-15	Impeller Key 10x8x22L SUS420 (EN X30Cr13)	1
31	053-310-13	Motor Protector 9700K-76-215 (H)	3
32	056-000-31	Stator 380/400/415V-50Hz(EUR)	1
33	140-100-11	Hex.Bolt M12x45 SUS304 (EN X5Cr18-10)	4
34	142-165-10	Spring Washer M12 SUS304 (EN X5Cr18-10)	4
35	064-000-12	Motor Frame FC	1
36	122-173-19	O-Ring V-225 NBR	1
37	140-000-06	Hex.Bolt (w/Spring Washer/Plain Washer) M6x12 SWCH	3
38	052-140-17	Bearing 6309ZZD2C3	1
39	140-100-11	Hex.Bolt M12x45 SUS304 (EN X5Cr18-10)	4
40	142-165-10	Spring Washer M12 SUS304 (EN X5Cr18-10)	4
41	060-001-07	Bearing HousingHT 1-2-11-S FC FC	1
42	121-247-12	Packing (Oil Plug) d12.3xd18x2t PE	2
43	035-113-18	Oil Plug M12x14 SUS304 (EN X5Cr18-10)	2
44	025-195-13	Mechanical Seal H-35 SIC	1
45	143-070-23	Pan Screw M5x6 SWRM	2
46	030-156-18	Oil Lifter H-35(A)(T) Resin	1
47	143-070-10	Pan Screw M5x6 SWRM	3
48	030-150-12	Seal Stopper H-35(A)(T) SPCC	1
49	122-281-11	O-Ring 190xd3.1 NBR	1
50	046-107-13	Air Release Valve PT-1/2 Nylon	1
51	035-112-17	Oil Plug M8x12 SUS304 (EN X5CrNi18-10) Stainless Steel	1
52	121-248-13	Packing d8.2xd13.5x2t PE	1
53	020-002-07	Pump Casing 80C25.5/2.75/211-CR-61 FC	1
54	026-114-11	Oil Seal TC-557812 NBR	1
55	040-113-14	Impeller Shim d32.5xd48x0.3t SUS304 (EN X5CrNi18-10)	1
56	021-008-57	Impeller (50Hz) 80C211-CR-51 HICRFC	1
57	142-131-17	Plain Washer M20 SUS304 (EN X5CrNi18-10) Stainless Steel	1
58	142-168-13	Spring Washer M20 SUS304 (EN X5CrNi18-10) Stainless Steel	1
59	141-009-12	Hex.Nut M20 SUS304 (EN X5CrNi18-10) Stainless Steel	1
60	120-121-16	Packing d204xd264x0.3t PE	1
61	022-001-66	Suction Cover 80C211-CR-61 HICRFC	1
62	142-165-10	Spring Washer M12 SUS304 (EN X5Cr18-10)	3
63	140-097-14	Hex.Bolt M12x30 SUS304 (EN X5CrNi18-10)	3
64	023-288-18	Pump Stand 55/110-CE2 FC	3
65	142-165-10	Spring Washer M12 SUS304 (EN X5Cr18-10)	3
66	140-096-13	Hex.Bolt M12x25 SUS304 (EN X5Cr18-10)	3
67	142-165-10	Spring Washer M12 SUS304 (EN X5Cr18-10)	3
68	140-099-16	Hex.Bolt M12x40 SUS304 (EN X5CrNi18-10)	3
69	140-130-36	Hex.Bolt M16x70 SWRM	8
70	048-000-39	Screwed Flange JIS10Kx80mm(PT) Grey Iron Casting	1
71	121-105-33	Packing JIS10Kx80mm NR	1
72	037-169-15	Discharge Bend 80x80mm Grey Iron Casting	1
73	142-166-37	Spring Washer M16 SWRH	8
74	141-008-11	Hex.Nut M16 SUS304 (EN X5CrNi18-10)	8
75	140-124-11	Hex.Bolt M16x40 SUS304 (EN X5Cr18-10)	4
76	121-152-19	Packing 145mm2(P.C.145) NBR	1
	173-002-13	Packing & O-Ring Set	1
	##oilVG32	ml Turbine Oil ISO VG32	2240

Exploded View 80C211-CR-51



80C211-CR-51