

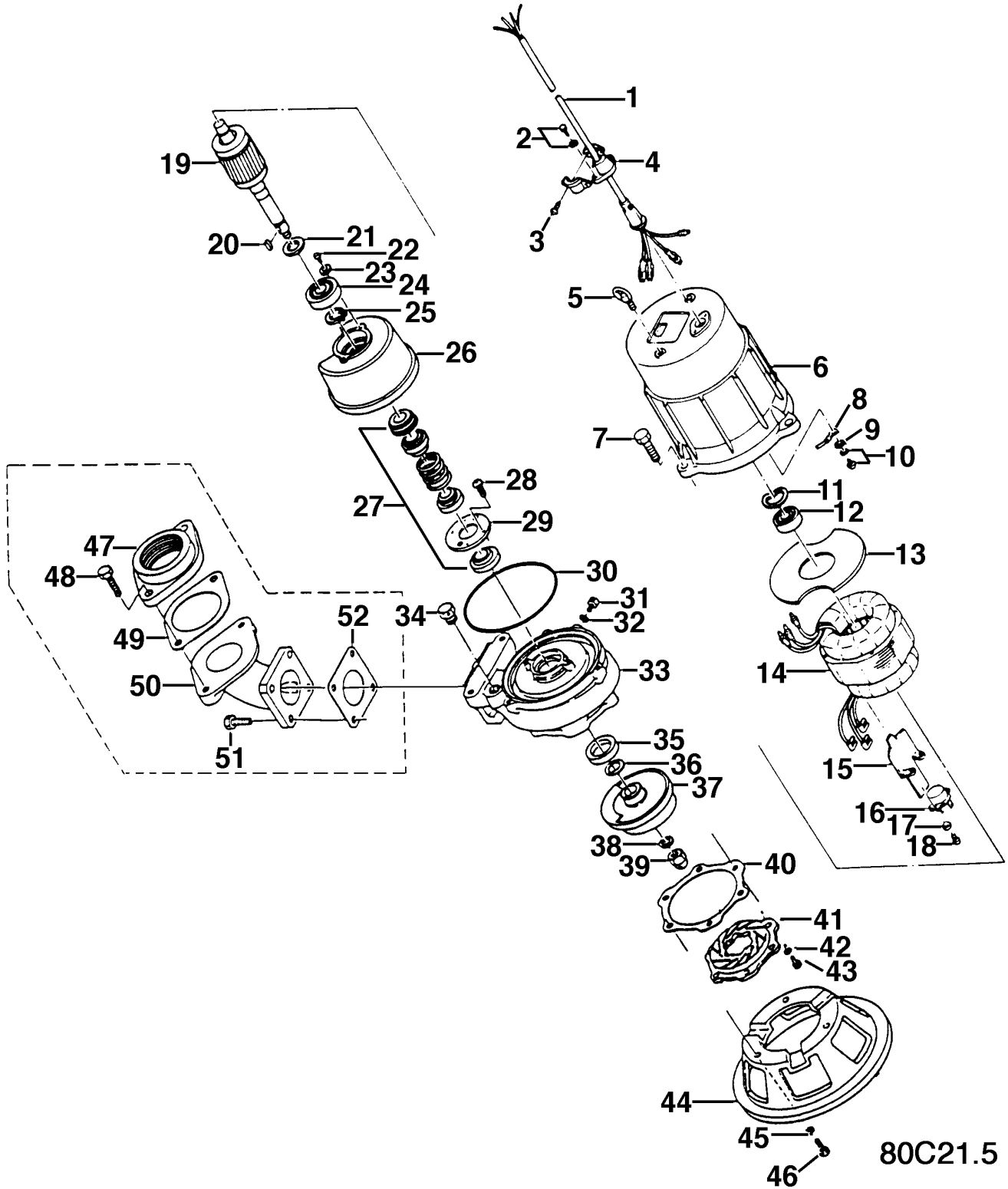
80C21.5

Kontroll-Nr. --

2018-10-17 V.18 / 1.10.2015

| 80C21.5 | | | |
|---------|------------|--|--------|
| Item | Item no. | Description | Quant. |
| 3 | 001-TEG-31 | Cabtyre Cable Set (20m) H07RN-F4Cx1,5mm ² with gland | 1 |
| 3 | M01-TEG-31 | Cabtyre Cable Set (20m) NSSHÖU 4Cx1,5mm ² | 1 |
| 2 | 140-427-17 | Hex.Bolt (w/Plain Washer) M5x15 SUS304 (EN X5CrNi18-10) | 2 |
| 3 | 143-071-24 | Tapping Screw M4x12 SUS304 (EN X5CrNi18-10) Stainless Steel | 1 |
| 4 | 003-190-10 | Gland SUS316 (EN X5Cr-Ni-Mo17-12-2) | 1 |
| 5 | 072-105-12 | Eye Bolt M8 SS | 2 |
| 6 | 064-279-26 | Motor Frame (2nd) FC | 1 |
| 7 | 140-076-17 | Hex.Bolt M10x30 SUS304 (EN X5Cr18-10) | 3 |
| 8 | 009-112-16 | Earth Terminal 1.25mm ² | 1 |
| 9 | 142-124-20 | Plain Washer M4 SPC | 1 |
| 10 | 143-086-22 | Pan Screw (w/Spring Washer) M4x8 SWRM | 1 |
| 11 | 142-195-19 | Wave Washer #6204/6303 SK-5 | 1 |
| 12 | 052-187-16 | Bearing (w/O-ring) AC-6204ZZC3 | 1 |
| 12 | 052-187-16 | Bearing (w/O-ring) AC-6204ZZC3 | 1 |
| 13 | 058-116-12 | Lead Wire Protection Plate d60xd150x1t Resin | 1 |
| 14 | 056-B00-17 | Stator | 1 |
| 14 | 056-B01-18 | Stator | 1 |
| 15 | 127-104-14 | Protector Fixing Plate 15-BE2 SECC | 1 |
| 16 | 053-380-14 | Motor Protector 380/400V-50HZ KA313-GQVL102 (T) | 1 |
| 17 | 142-124-20 | Plain Washer M4 SPC | 1 |
| 18 | 143-016-18 | Pan Screw M4x12 SWRM | 1 |
| 19 | 055-737-16 | Rotor (2nd) w/Bearing | 1 |
| 20 | 147-038-18 | Impeller Key 5x5x15,5l Stainless Steel | 1 |
| 21 | 061-161-12 | Bearing Collar d25.1xd36x1.6t SPC | 1 |
| 22 | 143-028-13 | Pan Screw M5x10 SWRM | 1 |
| 23 | 062-187-17 | Bearing Fixing Washer d5.5xd18x2.3t SPC | 1 |
| 24 | 052-108-13 | Bearing 6305ZZC3 | 1 |
| 25 | 146-015-16 | Retaining Ring C25 SK | 1 |
| 26 | 060-231-11 | Bearing Housing FC | 1 |
| 27 | 025-252-19 | Mechanical Seal H-20A SiC+CCBN | 1 |
| 28, 29 | 143-070-23 | Pan Screw M5x6 SWRM | 2 |
| 28, 29 | 030-144-13 | Oil Lifter H-20(A)(T) Resin | 1 |
| 28, 29 | 143-070-10 | Pan Screw M5x6 SWRM | 2 |
| 28, 29 | 030-153-15 | Seal Stopper For H-20(A) SPCC | 1 |
| 30 | 122-145-12 | O-Ring G-170 NBR | 1 |
| 31 | 035-124-12 | Oil Plug M10x15 SUS304 (EN X5CrNi18-10) | 1 |
| 32 | 121-246-11 | Packing (Oil Plug) d10.3xd16x2t PE | 1 |
| 33 | 020-001-44 | Pump Casing 15-BE2 (FC) | 1 |
| 34 | 046-107-13 | Air Release Valve PT-1/2 Nylon | 1 |
| 35 | 026-107-11 | Oil Seal DD-32488 (NBR) | 1 |
| 36 | 040-104-25 | Impeller Shim d18.2xd29x0.3t SUS304 (EN X5CrNi18-10) Stainless Steel | 1 |
| 37 | 021-760-39 | Impeller (50Hz) 50Hz FC | 1 |
| 38 | 142-165-10 | Spring Washer M12 SUS304 (EN X5Cr18-10) | 1 |
| 39 | 141-118-15 | Hex.Cap Nut M12(H=15.5) SUS304 (EN X5CrNi18-10) Stainless Steel | 1 |
| 40 | 120-146-17 | Packing (S.Cover) d136xd157x0.3t PE | 1 |
| 41 | 022-573-10 | Suction Cover 15-CE2 FCD | 1 |
| 42 | 142-163-21 | Spring Washer M8 SUS316 (DIN 1.4401) Stainless Steel | 1 |
| 43 | 140-051-16 | Hex.Bolt M8x15 SUS304 (EN X5CrNi18-10) Stainless Steel | 1 |
| 44 | 023-151-37 | Strainer Stand No.1 FCD | 1 |
| 45 | 142-163-21 | Spring Washer M8 SUS316 (DIN 1.4401) Stainless Steel | 1 |
| 46 | 140-056-11 | Hex.Bolt M8x30 SUS304 (EN X5CrNi18-10) Stainless Steel | 1 |
| 47 | 048-106-18 | Screwed Flange 80mm(P.C.140) FC | 1 |
| 48 | 140-099-16 | Hex.Bolt M12x40 SUS304 (EN X5CrNi18-10) | 2 |
| 49 | 121-137-18 | Packing (Screwed Flange) MBT(P.C.140) NBR | 1 |
| 50 | 037-118-19 | Discharge Bend 80mm(123-17) FC | 1 |
| 51 | 140-123-10 | Hex.Bolt M16x35 SUS304 (EN X5Cr18-10) | 4 |
| 52 | 121-152-19 | Packing 145mm2(P.C.145) NBR | 1 |
| | 173-338-12 | Packing & O-Ring Set | 1 |
| | ##oilVG32 | ml Turbine Oil ISO VG32 | 1050 |

Exploded View 80C21.5



80C21.5