

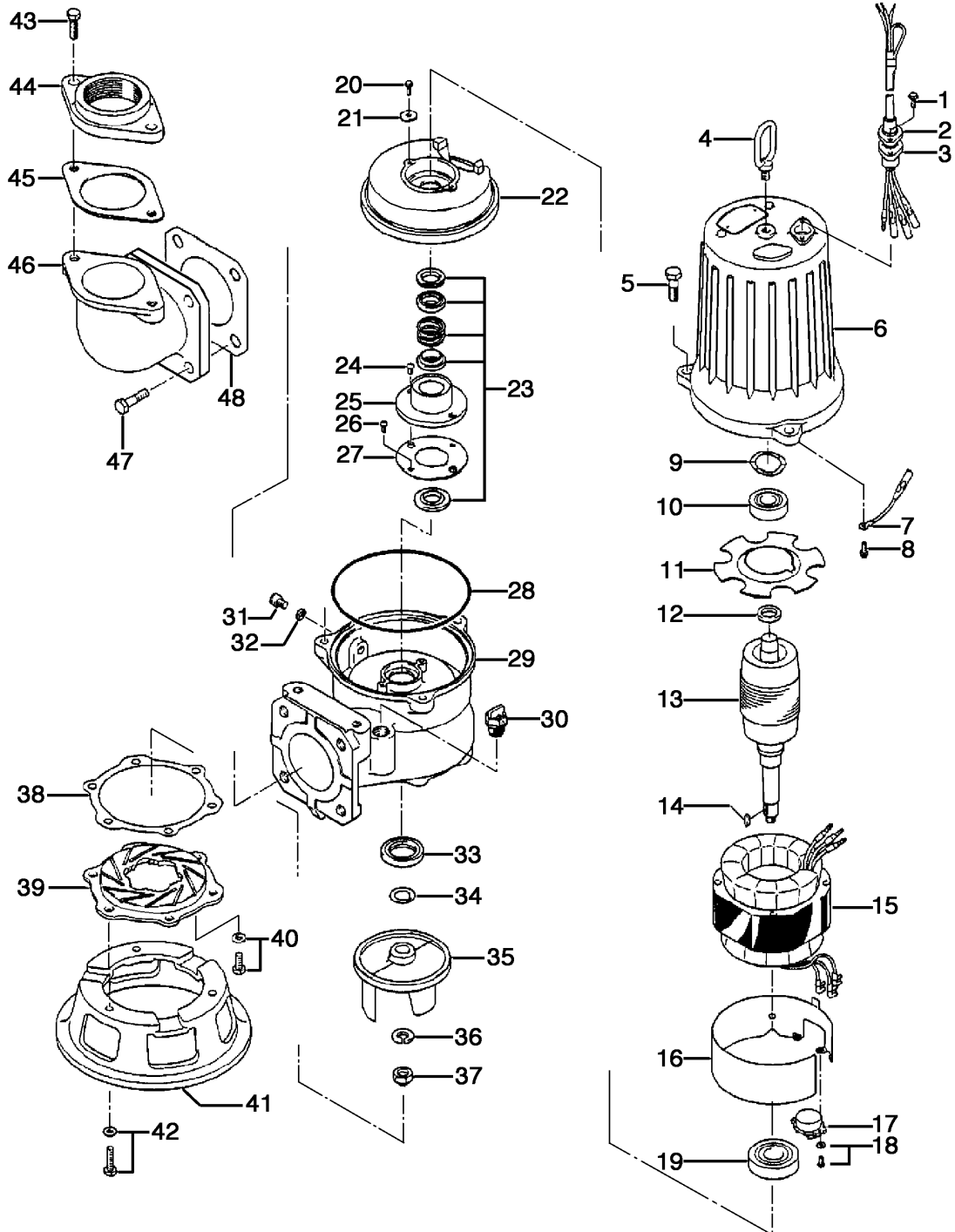
80C21.5-52

Kontroll-Nr. --

2019-02-2C V.01.02.2019

| Pos.no | Item no. | Description | Quant. | UP |
|--------|------------|---|--------|---------------|
| | | Dichtungs-Oring-Satz | 1 | Price on req. |
| 1 | 140-427-17 | Hex.Bolt (w/Plain Washer) M5x15 SUS304 (EN X5CrNi18-10) | 2 | Price on req. |
| 2 | 003-190-10 | Gland SUS316 (EN X5Cr-Ni-Mo17-12-2) | 1 | Price on req. |
| 3 | 001-TEG-31 | Cabtyre Cable Set (20m) H07RN-F4Cx1,5mm ² with gland | 1 | Price on req. |
| 3 | M01-TEG-31 | Cabtyre Cable Set (20m) NSSHÖU 4Cx1,5mm ² | 1 | Price on req. |
| | 061-TEG-06 | Cable Repair Kit | 1 | Price on req. |
| 4 | 072-000-03 | Eye Bolt M10 SUS304 (EN X5CrNi18-10) Stainless Steel | 1 | Price on req. |
| 5 | 140-078-19 | Hex.Bolt M10x30 SUS304 | 3 | Price on req. |
| 6 | 064-000-08 | Motor Frame FC | 1 | Price on req. |
| 7 | 009-211-16 | Earth Terminal 1.25mm2x120l | 1 | Price on req. |
| 8 | 143-085-34 | Pan Screw (w/Spring Washer) M4x6 C3604 (EN CuZn39Pb3) | 1 | Price on req. |
| 9 | 142-389-12 | Wave Washer #6204 SK-5 | 1 | Price on req. |
| 10 | 052-187-16 | Bearing (w/O-ring) AC-6204ZCC3 | 1 | Price on req. |
| 11 | 058-000-13 | Lead Wire Protection Plate d61xd136x2t (Resin) | 1 | Price on req. |
| 12 | 061-174-18 | Slinger d20xd27x2t SPC | 1 | Price on req. |
| 13 | 055-000-01 | Rotor | 1 | Price on req. |
| 14 | 147-038-18 | Impeller Key 5x5x15.5l Stainless Steel | 1 | Price on req. |
| 15 | 056-001-14 | Stator 380/400/415V-50Hz(EUR) | 1 | Price on req. |
| 15 | 056-001-15 | Stator 440/460V-50HZ,480V-60HZ | 1 | Price on req. |
| 16 | 127-000-26 | Lead Wire Protection PlateKA313,d145 SPCC | 1 | Price on req. |
| 17 | 053-000-10 | Motor Protector 380/400/415V-50HZ KA311-DPXL78 (T.C) | 1 | Price on req. |
| 18 | 143-126-12 | Pan Screw (w/Spring Washer/Plain Washer) M4x12 SWRM | 2 | Price on req. |
| 19 | 052-108-13 | Bearing 6305ZCC3 | 1 | Price on req. |
| 20 | 140-000-23 | Hex.Bolt (w/Spring Washer) M5x10 SWRM | 2 | Price on req. |
| 21 | 062-187-17 | Bearing Fixing Washer d5.5xd18x2.3t SPC | 2 | Price on req. |
| 22 | 060-000-16 | Bearing Housing FC | 1 | Price on req. |
| 23 | 025-001-04 | Mechanical Seal H-20A SiC+CCBN | 1 | Price on req. |
| 24 | 143-070-23 | Pan Screw M5x6 SWRM | 2 | Price on req. |
| 25 | 030-144-13 | Oil Lifter H-20(A)(T) Resin | 1 | Price on req. |
| 26 | 143-070-10 | Pan Screw M5x6 SWRM | 2 | Price on req. |
| 27 | 030-153-15 | Seal Stopper For H-20(A) SPCC | 1 | Price on req. |
| 28 | 122-145-12 | O-Ring G-170(169.3xd5.7) NBR | 1 | Price on req. |
| 29 | 020-001-44 | Pump Casing 15-BE2 (FC) | 1 | Price on req. |
| 30 | 046-107-13 | Air Release Valve PT-1/2 Nylon | 1 | Price on req. |
| 31 | 035-124-12 | Oil Plug M10x15 SUS304 (EN X5CrNi18-10) | 1 | Price on req. |
| 32 | 121-246-11 | Packing (Oil Plug) d10.3xd16x2t PE | 1 | Price on req. |
| 33 | 026-107-11 | Oil Seal DD-32488 (NBR) | 1 | Price on req. |
| 34 | 040-104-25 | Impeller Shim d18.2xd29x0.3t SUS304 (EN X5CrNi18-10) Stainless Steel | 1 | Price on req. |
| 35 | 021-760-39 | Impeller (50HZ) 50Hz FC | 1 | Price on req. |
| 36 | 142-165-10 | Spring Washer M12 SUS304 | 1 | Price on req. |
| 37 | 141-118-15 | Hex.Cap Nut M12(H=15.5) SUS304 (EN X5CrNi18-10) Stainless Steel | 1 | Price on req. |
| 38 | 120-146-17 | Packing (S.Cover) d136xd157x0.3t PE | 1 | Price on req. |
| 39 | 022-573-10 | Suction Cover 15-CE2 FCD | 1 | Price on req. |
| 41 | 023-001-45 | Strainer Stand for 15-BE | 1 | Price on req. |
| 40 | 140-475-10 | Hex.Bolt (w/Spring Washer) M8x16SUS304 (EN X5CrNi18-10) Stainless Steel | 3 | Price on req. |
| 41 | 023-151-37 | Strainer Stand No.1 FCD | 1 | Price on req. |
| 42 | 140-488-16 | Hex.Bolt (w/Spring Washer) M8x30 SUS304 (EN X5Cr18-10) | 3 | Price on req. |
| 43 | 140-099-16 | Hex.Bolt M12x40 SUS304 | 2 | Price on req. |
| 44 | 048-105-17 | Screwed Flange 65mm(P.C.140) FC | 1 | Price on req. |
| 44 | 048-106-18 | Screwed Flange 80mm(P.C.140) FC | 1 | Price on req. |
| 45 | 121-137-18 | Packing (Screwed Flange) MBT(P.C.140) NBR | 1 | Price on req. |
| 46 | 037-118-19 | Discharge Bend 80mm(123-17) FC | 1 | Price on req. |
| 47 | 140-123-10 | Hex.Bolt M16x35 SUS304 (EN X5Cr18-10) | 4 | Price on req. |
| 48 | 121-152-19 | Packing 145mm2(P.C.145) NBR | 1 | Price on req. |
| | 173-338-12 | Packing & O-Ring Set | 1 | Price on req. |
| | ##oilVG32 | ml Turbine Oil ISO VG32 | 900 | Price on req. |

Exploded View 80C21.5-52



80C21.5-52