

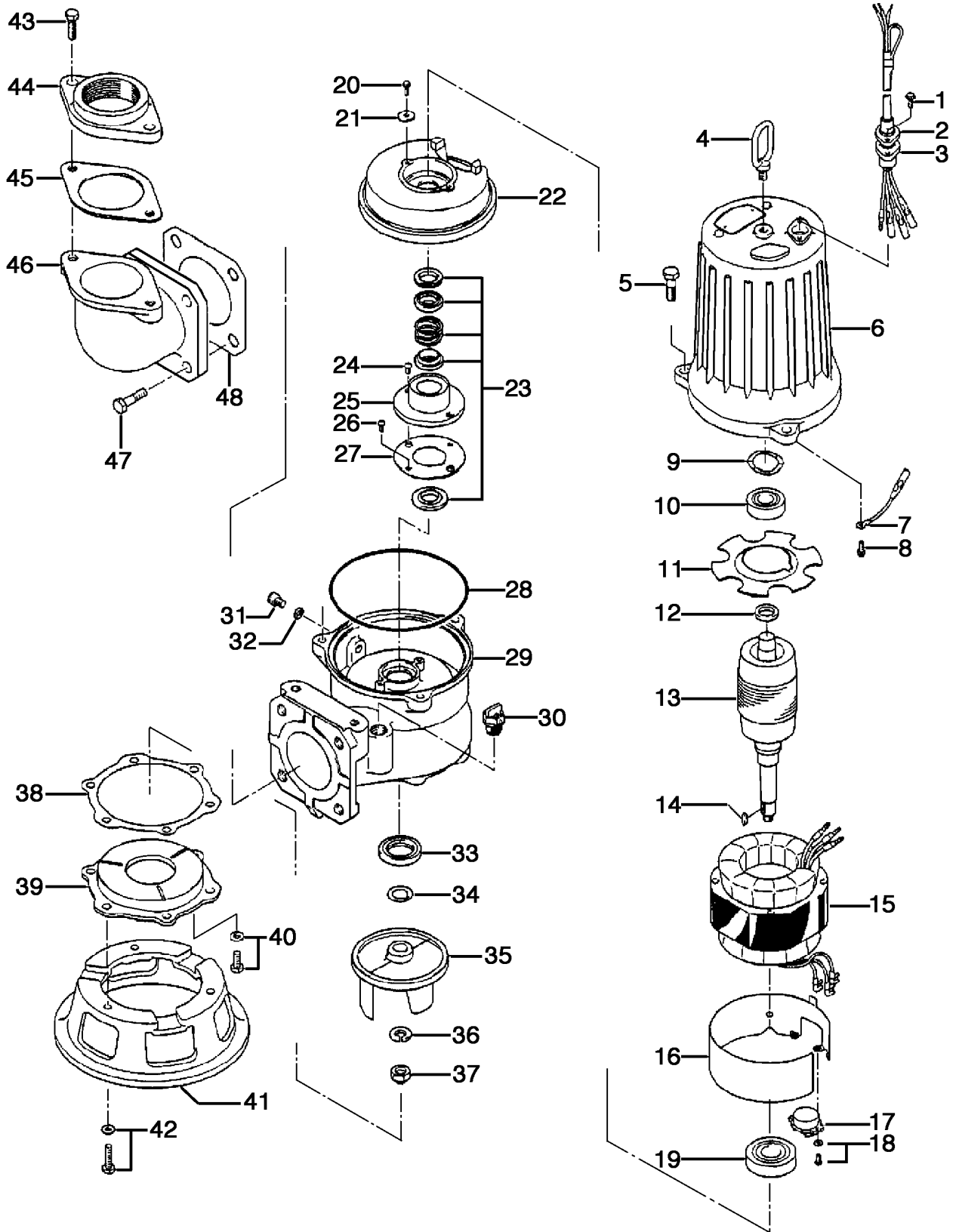
80B21.5-52

Kontroll-Nr. --

2019-02-1€ V.01.02.2019

Pos.no	Item no.	Description	Quant.	UP
		Dichtungs-Oring-Satz	1	Price on req.
1	140-427-17	Hex.Bolt (w/Plain Washer) M5x15 SUS304 (EN X5CrNi18-10)	2	Price on req.
2	003-190-10	Gland SUS316 (EN X5Cr-Ni-Mo17-12-2)	1	Price on req.
3	001-TEG-31	Cabtyre Cable Set (20m) H07RN-F4Cx1,5mm <sup>2</sup> with gland	1	Price on req.
3	M01-TEG-31	Cabtyre Cable Set (20m) NSSHÖU 4Cx1,5mm <sup>2</sup>	1	Price on req.
4	072-000-03	Eye Bolt M10 SUS304 (EN X5CrNi18-10) Stainless Steel	1	Price on req.
5	140-078-19	Hex.Bolt M10x30 SUS304	3	Price on req.
6	064-000-08	Motor Frame FC	1	Price on req.
7	009-211-16	Earth Terminal 1.25mm2x120l	1	Price on req.
8	143-085-34	Pan Screw (w/Spring Washer) M4x6 C3604 (EN CuZn39Pb3)	1	Price on req.
9	142-389-12	Wave Washer #6204 SK-5	1	Price on req.
10	052-187-16	Bearing (w/O-ring) AC-6204ZZC3	1	Price on req.
11	058-000-13	Lead Wire Protection Plate d61xd136x2t (Resin)	1	Price on req.
12	061-174-18	Slinger d20xd27x2t SPC	1	Price on req.
13	055-000-01	Rotor	1	Price on req.
14	147-038-18	Impeller Key 5x5x15,5l Stainless Steel	1	Price on req.
15	056-001-14	Stator 380/400/415V-50Hz(EUR)	1	Price on req.
16	127-000-26	Lead Wire Protection PlateKA313,d145 SPCC	1	Price on req.
17	053-000-10	Motor Protector 380/400/415V-50HZ KA311-DPXL78 (T.C)	1	Price on req.
18	143-126-12	Pan Screw (w/Spring Washer/Plain Washer) M4x12 SWRM	2	Price on req.
19	052-108-13	Bearing 6305ZZC3	1	Price on req.
20	140-000-23	Hex.Bolt (w/Spring Washer) M5x10 SWRM	2	Price on req.
21	062-187-17	Bearing Fixing Washer d5,5xd18x2,3t SPC	2	Price on req.
22	060-000-16	Bearing Housing FC	1	Price on req.
23	025-001-04	Mechanical Seal H-20A SIC+CCBN	1	Price on req.
24	143-070-23	Pan Screw M5x6 SWRM	2	Price on req.
25	030-144-13	Oil Lifter H-20(A)(T) Resin	1	Price on req.
26	143-070-10	Pan Screw M5x6 SWRM	2	Price on req.
27	030-153-15	Seal Stopper For H-20(A) SPCC	1	Price on req.
28	122-145-12	O-Ring G-170(169,3xd5.7) NBR	1	Price on req.
29	020-001-44	Pump Casinq 15-BE2 (FC)	1	Price on req.
30	046-107-13	Air Release Valve PT-1/2 Nylon	1	Price on req.
31	035-124-12	Oil Plug M10x15 SUS304 (EN X5CrNi18-10)	1	Price on req.
32	121-246-11	Packing (Oil Plug) d10,3xd16x2t PE	1	Price on req.
33	026-107-11	Oil Seal DD-32488 (NBR)	1	Price on req.
34	040-104-25	Impeller Shim d18,2xd29x0,3t SUS304 (EN X5CrNi18-10) Stainless Steel	1	Price on req.
35	021-758-21	Impeller (50HZ) 15-BER3 FC	1	Price on req.
36	142-165-10	Spring Washer M12 SUS304	1	Price on req.
37	141-118-15	Hex.Cap Nut M12(H=15.5) SUS304 (EN X5CrNi18-10) Stainless Steel	1	Price on req.
38	120-146-17	Packing (S.Cover) d136xd157x0,3t PE	1	Price on req.
39	022-572-19	Suction Cover 15-BE2 FC	1	Price on req.
40	140-475-10	Hex.Bolt (w/Spring Washer) M8x16SUS304 (EN X5CrNi18-10) Stainless Steel	3	Price on req.
41	023-151-37	Strainer Stand No.1 FCD	1	Price on req.
42	140-488-16	Hex.Bolt (w/Spring Washer) M8x30 SUS304 (EN X5Cr18-10)	3	Price on req.
43	140-099-16	Hex.Bolt M12x40 SUS304	2	Price on req.
44	048-105-17	Screwed Flange 65mm(P.C.140) FC	1	Price on req.
44	048-106-18	Screwed Flange 80mm(P.C.140) FC	1	Price on req.
45	121-137-18	Packing (Screwed Flange) MBT(P.C.140) NBR	1	Price on req.
46	037-118-19	Discharge Bend 80mm(123-17) FC	1	Price on req.
47	140-123-10	Hex.Bolt M16x35 SUS304 (EN X5Cr18-10)	4	Price on req.
48	121-152-19	Packing 145mm2(P.C.145) NBR	1	Price on req.
	173-338-12	Packing & O-Ring Set	1	Price on req.
	##oilVG32	ml Turbine Oil ISO VG32	900	Price on req.

# Exploded View 80B21.5-52



80B21.5-52