

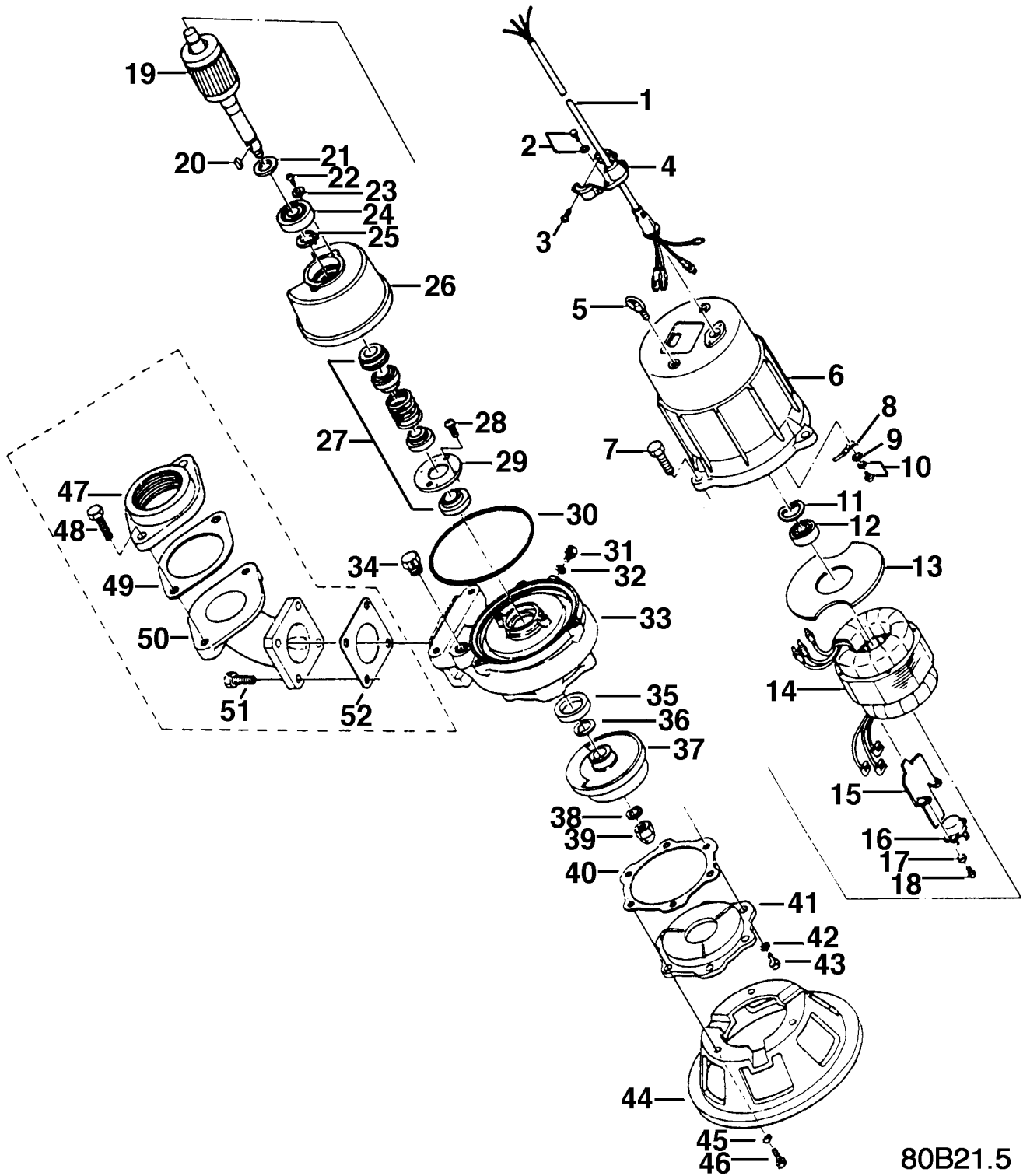
80B21.5

Kontroll-Nr. --

2018-10-16 V.18 / 1.10.2015

80B21.5			
Item	Item no.	Description	Quant.
3	001-TEG-31	Cabtyre Cable Set (20m) H07RN-F4Cx1,5mm ² with gland	1
3	M01-TEG-31	Cabtyre Cable Set (20m) NSSHÖU 4Cx1,5mm ²	1
2	140-427-17	Hex.Bolt (w/Plain Washer) M5x15 SUS304 (EN X5CrNi18-10)	2
3	143-071-24	Tapping Screw M4x12 SUS304 (EN X5CrNi18-10) Stainless Steel	1
4	003-190-10	Gland SUS316 (EN X5Cr-Ni-Mo17-12-2)	1
5	072-105-12	Eye Bolt M8 SS	2
6	064-279-26	Motor Frame (2nd) FC	1
7	140-076-17	Hex.Bolt M10x30 SUS304 (EN X5Cr18-10)	3
8	009-112-16	Earth Terminal 1.25mm ²	1
9	142-124-20	Plain Washer M4 SPC	1
10	143-086-22	Pan Screw (w/Spring Washer) M4x8 SWRM	1
11	142-195-19	Wave Washer #6204/6303 SK-5	1
12	052-187-16	Bearing (w/O-ring) AC-6204ZZC3	1
12	052-187-16	Bearing (w/O-ring) AC-6204ZZC3	1
13	058-116-12	Lead Wire Protection Plate d60xd150x1t Resin	1
14	056-B00-17	Stator	1
14	056-B01-18	Stator	1
15	127-104-14	Protector Fixing Plate 15-BE2 SECC	1
16	053-380-14	Motor Protector 380/400V-50HZ KA313-GQVL102 (T)	1
17	142-124-20	Plain Washer M4 SPC	1
18	143-016-18	Pan Screw M4x12 SWRM	1
19	055-737-16	Rotor (2nd) w/Bearing	1
20	147-038-18	Impeller Key 5x5x15,5l Stainless Steel	1
21	061-161-12	Bearing Collar d25.1xd36x1.6t SPC	1
22	143-028-13	Pan Screw M5x10 SWRM	1
23	062-187-17	Bearing Fixing Washer d5.5xd18x2.3t SPC	1
24	052-108-13	Bearing 6305ZZC3	1
25	146-015-16	Retaining Ring C25 SK	1
26	060-231-11	Bearing Housing FC	1
27	025-243-17	Mechanical Seal H-20T SiC	1
28, 29	143-070-23	Pan Screw M5x6 SWRM	1
28, 29	030-144-13	Oil Lifter H-20(A)(T) Resin	1
28, 29	143-070-10	Pan Screw M5x6 SWRM	1
28, 29	030-153-15	Seal Stopper For H-20(A) SPCC	1
30	122-145-12	O-Ring G-170 NBR	1
31	035-124-12	Oil Plug M10x15 SUS304 (EN X5CrNi18-10)	1
32	121-246-11	Packing (Oil Plug) d10.3xd16x2t PE	1
33	020-001-44	Pump Casing 15-BE2 (FC)	1
34	046-107-13	Air Release Valve PT-1/2 Nylon	1
35	026-107-11	Oil Seal DD-32488 (NBR)	1
36	040-104-25	Impeller Shim d18.2xd29x0.3t SUS304 (EN X5CrNi18-10) Stainless Steel	1
37	021-758-21	Impeller (50HZ) 15-BER3 FC	1
37	021-759-22	Impeller (60HZ) 15-BER3 FC	1
38	142-165-10	Spring Washer M12 SUS304 (EN X5Cr18-10)	1
39	141-118-15	Hex.Cap Nut M12(H=15.5) SUS304 (EN X5CrNi18-10) Stainless Steel	1
40	120-146-17	Packing (S.Cover) d136xd157x0.3t PE	1
41	022-572-19	Suction Cover 15-BE2 FC	1
42	142-163-21	Spring Washer M8 SUS316 (DIN 1.4401) Stainless Steel	1
43	140-051-16	Hex.Bolt M8x15 SUS304 (EN X5CrNi18-10) Stainless Steel	1
44	023-151-37	Strainer Stand No.1 FCD	1
45	142-163-21	Spring Washer M8 SUS316 (DIN 1.4401) Stainless Steel	1
46	140-056-11	Hex.Bolt M8x30 SUS304 (EN X5CrNi18-10) Stainless Steel	1
47	048-106-18	Screwed Flange 80mm(P.C.140) FC	1
48	140-099-16	Hex.Bolt M12x40 SUS304 (EN X5CrNi18-10)	1
49	121-137-18	Packing (Screwed Flange) MBT(P.C.140) NBR	1
50	037-118-19	Discharge Bend 80mm(123-17) FC	1
51	140-123-10	Hex.Bolt M16x35 SUS304 (EN X5Cr18-10)	1
52	121-152-19	Packing 145mm2(P.C.145) NBR	1
	173-338-12	Packing & O-Ring Set	1
	##oilVG32	ml Turbine Oil ISO VG32	1050

Exploded View 80B21.5



80B21.5